


**ANTI-VIBRATION
MOUNTS
AMC MECANOCAUCHO®**

INDEX DEPENDING ON THE APPLICATION

Mobile Applications
Engines, generators,
compressor pumps

 BRB Page 16	 BSB Page 18	 BRBX Page 20	 BRT Page 21	 MD Page 22	 AN 60 Page 22	 MARINE MOUNTS Page 24	
 MARINE X MOUNT Page 25	 MARINE MOUNTS TYPE XD Page 26	 MARINE MOUNTS TYPE XT Page 26	 HYDRAULIC MOUNTS Page 30	 HYDRAULIC CONES Page 38	 CONES Page 42	 CONES WITH FIXATION FLANGE Page 50	 CABIN MOUNTS Page 52
 CB Page 54	 SCH Page 56	 SCHR Page 58	 TF Page 60	 SCBR Page 61	 SCB Page 62	 AT Page 70	 SPS Page 73
 VD Page 74	 MARINE V-TYPE Page 75	 NP MOUNTS Page 77	 TFS Page 82	 SN Page 89	 SFC, SFT, ST Page 91	 WIRE ROPE ANTI VIBRATION MOUNT Page 92	 AKUSTIK PIPE Page 92




Static applications:
Engines, generators,
hydraulic pumps and
compressors

 FZM Page 27	 FZ SYLOMER® Page 28	 DRD Page 66	 DSD Page 68	 ATP Page 72	 GENERATOR MOUNT IN V Page 76	 TRANSFORMER MOUNTS Page 80
 ELASTOMERIC SPRINGS Page 88	 REINFORCED ELASTOMERIC SPRINGS Page 89					


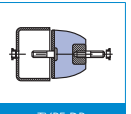
Mounts for
Heavy Loads

 SH Page 78	 ANTI-SKID Page 81	 TYPE B Page 81	 TYPE P Page 81	 ANTI-SKID P Page 81	 SANDWICH Page 81	 TYPE S Page 82
--	---	--	---	---	--	--

Machine
levelling mounts

 NF-NFR Page 83	 SV Page 84	 SV LOW Page 85
--	--	--

Elastic
Couplings

 COUPLING Page 90	 TYPE DP Page 90
--	---

Rubber blocks
and mats

 TYPE T Page 86	 TYPE C Page 86	 300X300 Page 86	 400X400 Page 86	 BLOCKS Page 86
--	--	---	--	--

Bushings

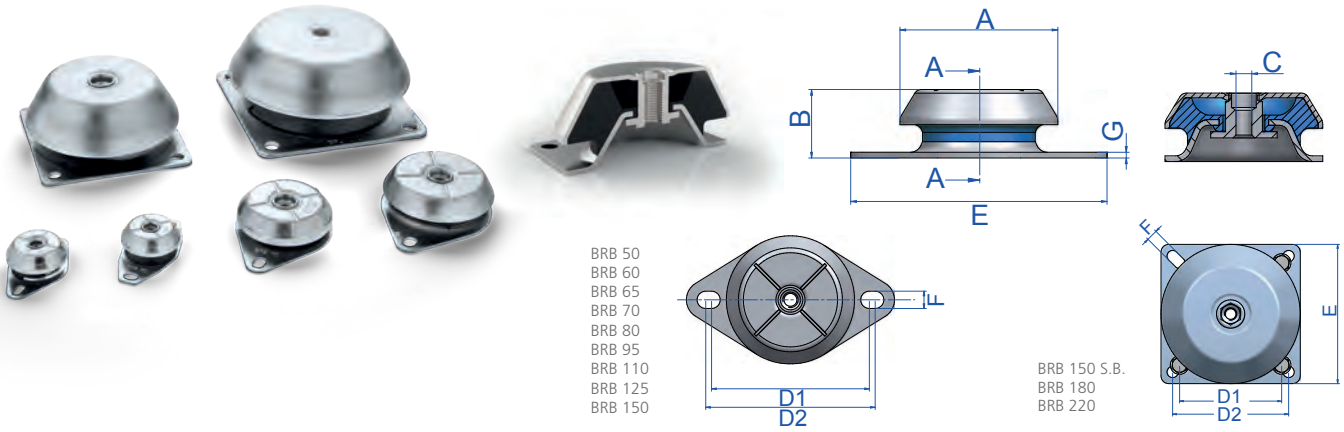
 ECCENTRIC BUSHINGS Page 64	 BUSHINGS Page 87
---	--

Bobbins &
buffers

 STUD MOUNTS Page 93	 RUBBER BUFFERS Page 102
--	---

Others

 HEIGHT ADJUSTERS Page 104



BRB 50
BRB 60
BRB 65
BRB 70
BRB 80
BRB 95
BRB 110
BRB 125
BRB 150

BRB 150 S.B.
BRB 180
BRB 220

BRB

DESCRIPTION

The BRB type AMC MECANOCAUCHO® mounts are antivibration elements which work the rubber in shear and compression. Their tall height section produce large deflections, low natural frequencies, and excellent vibration isolation results. This range of mounts is suitable for applications where high vibration isolation in the 85-95% range is a priority.

TECHNICAL CHARACTERISTICS

- The top metal hood protects the rubber from the Ozone, UV rays, diesel or oils which damage the rubber.
- The metal parts have a suitable anticorrosive treatment for outdoor applications. RoHs compliant.
- They have an interlocking metal component that provides a fail-safe protection for mobile applications. This device limits the ascending vertical movement when the mounting is submitted to shocks at traction.
- The mounts are clearly identified, as the base-plates are engraved with the type and hardness, which makes it possible to easily recognise the part even after several years of use.
- The hood has a cross stamped on the top, which enhances its rigidity on mobile applications and also improves the evacuation of oils or liquids that precipitate onto it.

APPLICATIONS

This mount is suitable for the isolation of mobile rotating machines which are exposed to axial and radial shocks, dripping oil, diesel or exposure to the weather. It is particularly interesting for applications where a high level of vibration isolation is required.

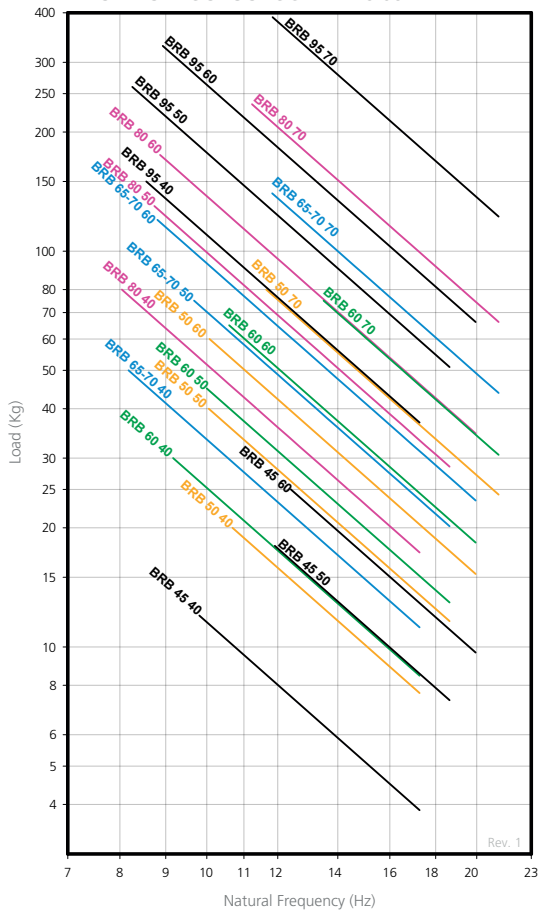
MARINE CERTIFICATES



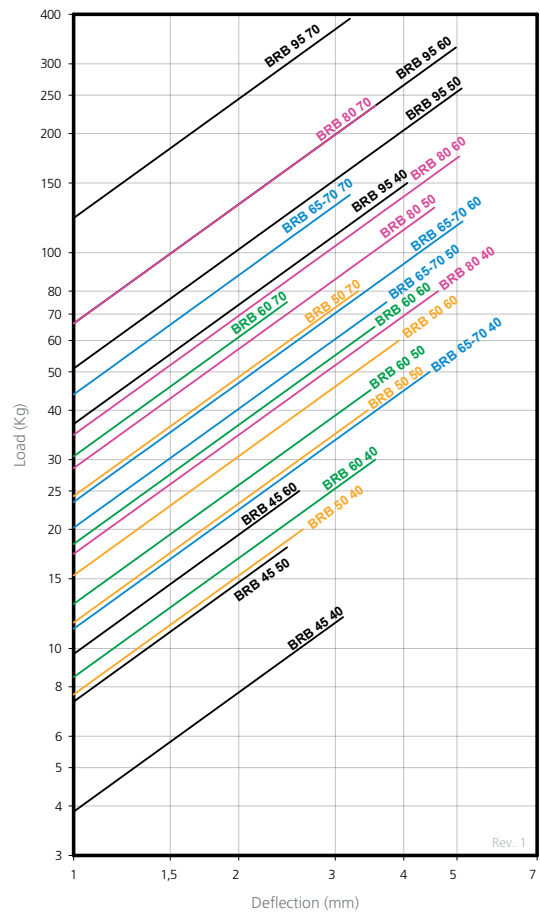
Type	A (mm)	B (mm)	C (mm)	D1 (Min.)	D2 (Max.)	E (mm)	F (mm)	G (mm)	Weight (gr.)	Code	Load (kg)	Shore
BRB 50	50	25	M-8	61	70	85	6,5	2	117	135451	20	40 Sh
										135453	40	50 Sh
										135455	60	60 Sh
										135457	80	70 Sh
BRB 60	64	35	M-10	76,5	90,5	110	9	2,5	225	135101	30	40 Sh
										135405	45	50 Sh
										135103	65	60 Sh
										135104	75	70 Sh
BRB 65 M10	64	35	M-10	76,5	90,5	110	9	2,5	243	135421	50	40 Sh
										135422	75	50 Sh
										135423	120	60 Sh
										135424	140	70 Sh
BRB 65 M12	64	35	M-12	76,5	90,5	110	9	2,5	243	135431	50	40 Sh
										135432	75	50 Sh
										135433	120	60 Sh
										135434	140	70 Sh
BRB 70	64	35	M-12	100	100	120	11	3	253	135251	50	40 Sh
										135252	75	50 Sh
										135253	120	60 Sh
										135254	140	70 Sh
BRB 80 M10	83	35	M-10	108	112	135	11	3	398	135231	80	40 Sh
										135232	130	50 Sh
										135233	175	60 Sh
										135234	235	70 Sh
BRB 80 M12	83	35	M-12	108	112	135	11	3	398	135275	80	40 Sh
										135276	130	50 Sh
										135277	175	60 Sh
										135278	235	70 Sh
BRB 95 M10	92	39	M-10	122	126,6	150	10	3	657	135771	150	40 Sh
										135772	260	50 Sh
										135773	330	60 Sh
										135774	390	70 Sh
BRB 95 M12	92	39	M-12	122	126,6	150	10	3	657	135761	150	40 Sh
										135762	260	50 Sh
										135763	330	60 Sh
										135764	390	70 Sh
BRB 110 M12	106	41	M-12	137	149	175	13	3	857	135241	200	40 Sh
										135242	305	50 Sh
										135243	420	60 Sh
										135244	450	70 Sh
BRB 110 M16	106	41	M-16	137	149	175	13	3	857	135331	200	40 Sh
										135332	305	50 Sh
										135333	420	60 Sh
										135334	450	70 Sh
BRB 125	123	48	M-16	154	162	190	14	4	1170	135618	350	40 Sh
										135620	500	50 Sh
										135622	700	60 Sh
										135624	900	70 Sh
BRB 150 S.B.	156	53,5	M-16	125	132	164	14,5	4	2030	135205	450	40 Sh
										135206	570	50 Sh
										135207	800	60 Sh
										135208	1000	70 Sh
BRB 150	156	53,5	M-16	176	188	218	14,5	4	1840	135161	450	40 Sh
										135162	570	50 Sh
										135163	800	60 Sh
										135164	1000	70 Sh
BRB 180	186	84	M-20	146	150	181	14	5	3800	135391	875	40 Sh
										135392	1200	50 Sh
										135393	1700	60 Sh
										135394	2400	70 Sh
BRB 220	230	105	M-24	180	180	220	19	6	6716	135201	1600	40 Sh
										135200	2400	50 Sh
										135202	3400	60 Sh
										135203	4200	70 Sh

S.B. = Square Base

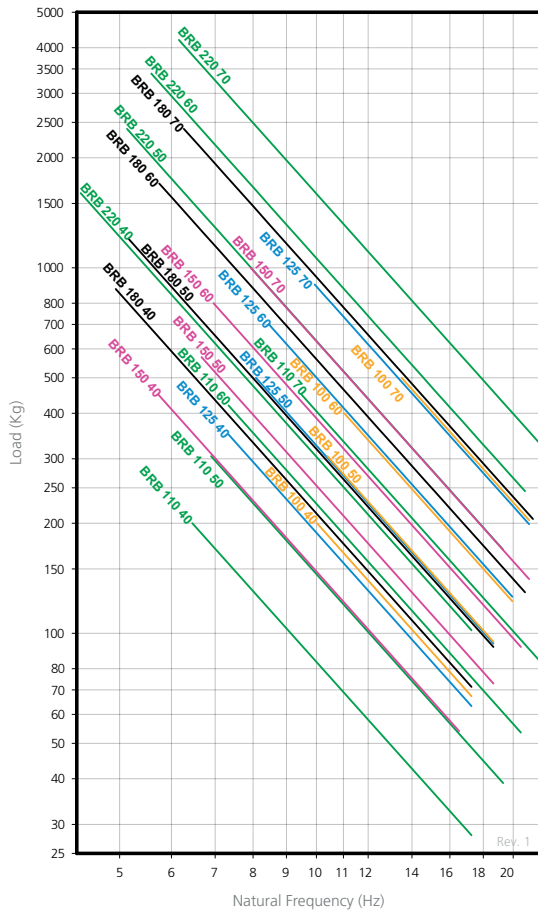
NATURAL FREQUENCY
AMC MECANOCAUCHO® BRB 45-95



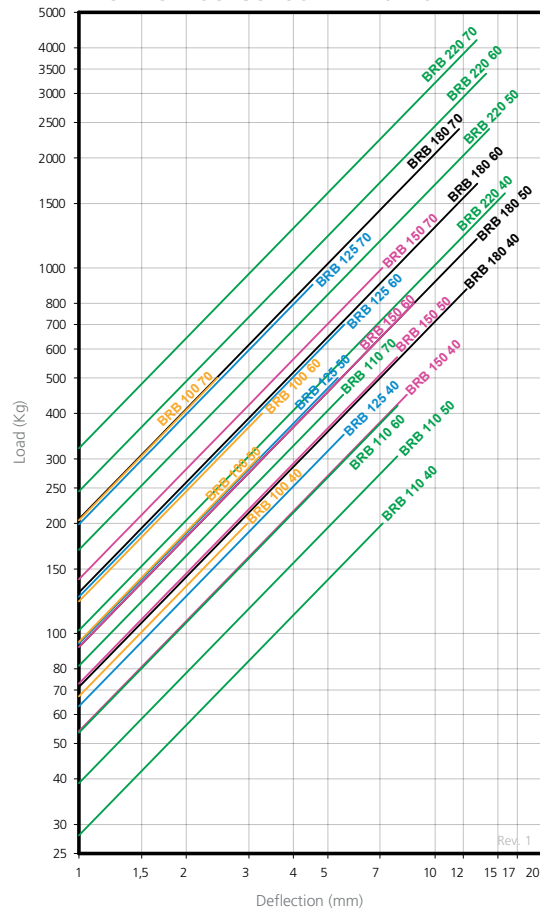
LOAD DEFLECTION GRAPH
AMC MECANOCAUCHO® BRB 45-95



NATURAL FREQUENCY
AMC MECANOCAUCHO® BRB 110-220



LOAD DEFLECTION GRAPH
AMC MECANOCAUCHO® BRB 110-220



BSB

DESCRIPTION

The BSB type AMC MECANOCAUCHO® mounts are antivibration elements which work the rubber in shear and compression with an optimal ratio of stiffness and horizontal stability. These mounts are really interesting when stability is a priority in an antivibration suspension.

In applications where the degree of isolation is a priority, we must choose the BRB-type range of AMC MECANOCAUCHO® antivibration mounts.

TECHNICAL CHARACTERISTICS

- The top metal hood protects the rubber from the Ozone, UV rays, diesel or oils which may cause major damage to the rubber.
- The metal parts have a suitable anticorrosive treatment for outdoor applications. RoHs compliant.
- They have an interlocking metal component that provides a fail-safe protection for mobile applications. This device limits the ascending vertical movement when the mounting is submitted to shocks at traction.
- The mounts are clearly identified, as the baseplates are engraved with the type and hardness, which makes it possible to easily recognise the part even after several years of use.
- The hood has a cross stamped on the top, which enhances its stiffness on mobile applications and also improves the evacuation of oils or liquids that splash onto it.

APPLICATIONS

In mobile rotating machines that require control of movements and reasonable values of vibrations and noise, such as:

Pumps, Marine-Land auxiliary units, Industrial Vehicles, Compressors, Ventilators...

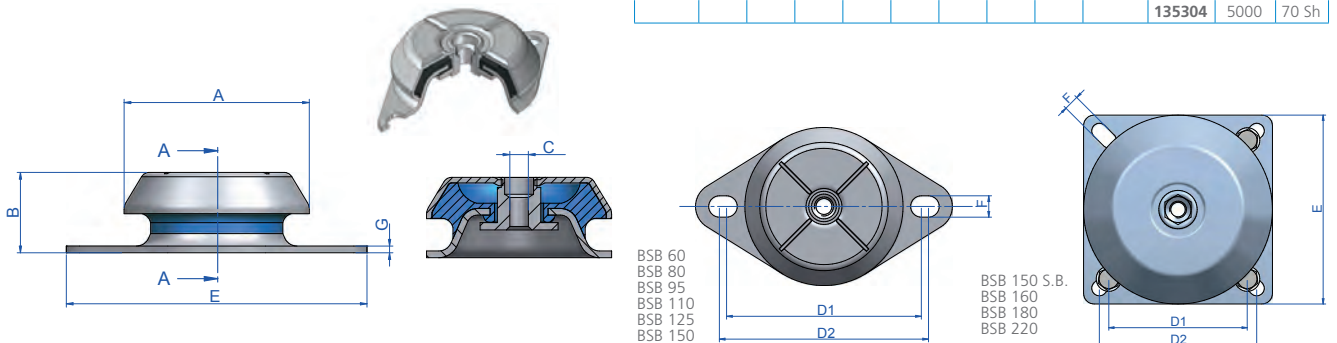
This mount is suitable for the isolation of mobile rotating machines which are exposed to axial and radial shocks, dripping oil or diesel or exposure to the weather.

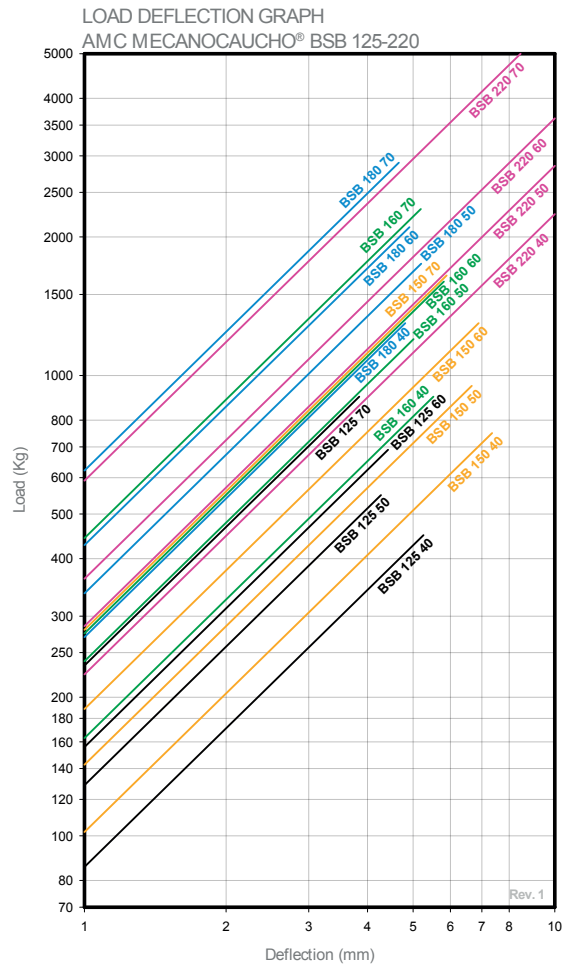
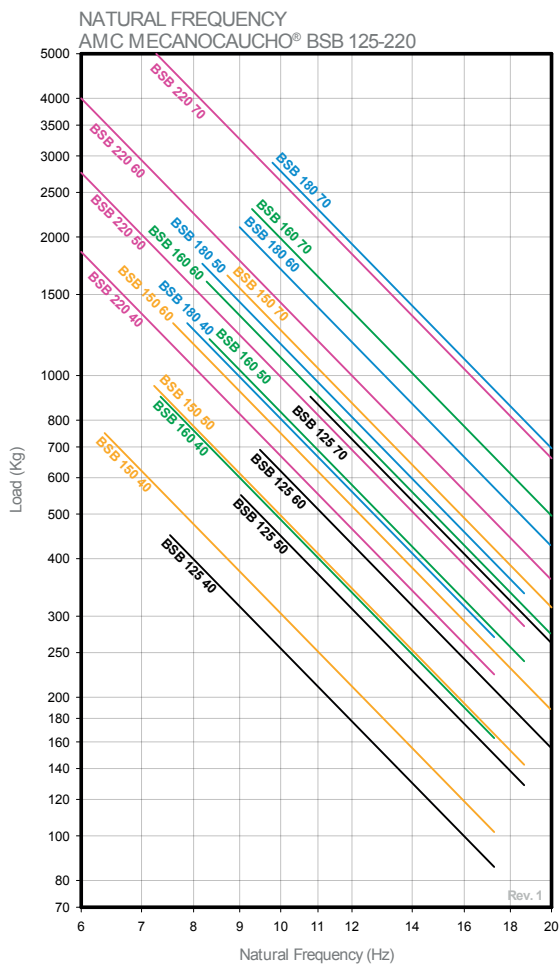
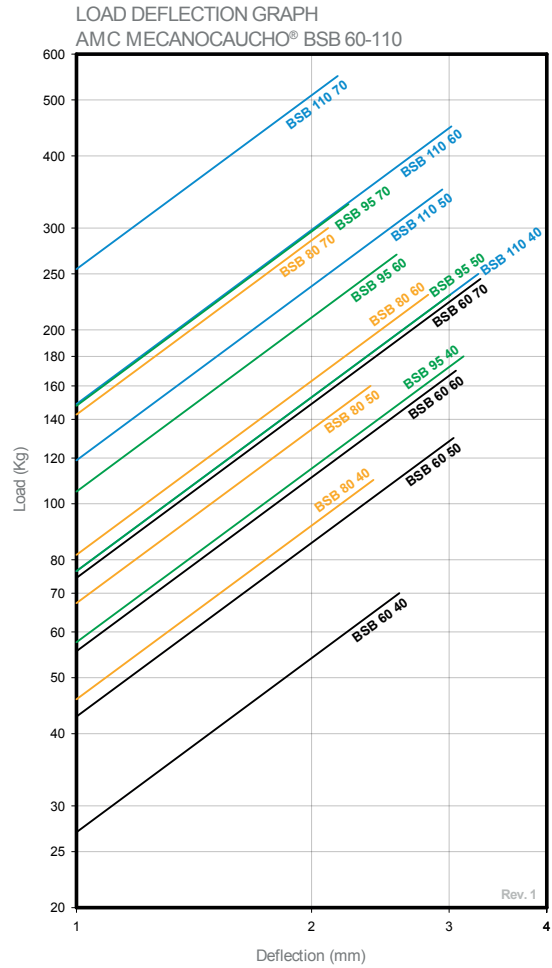
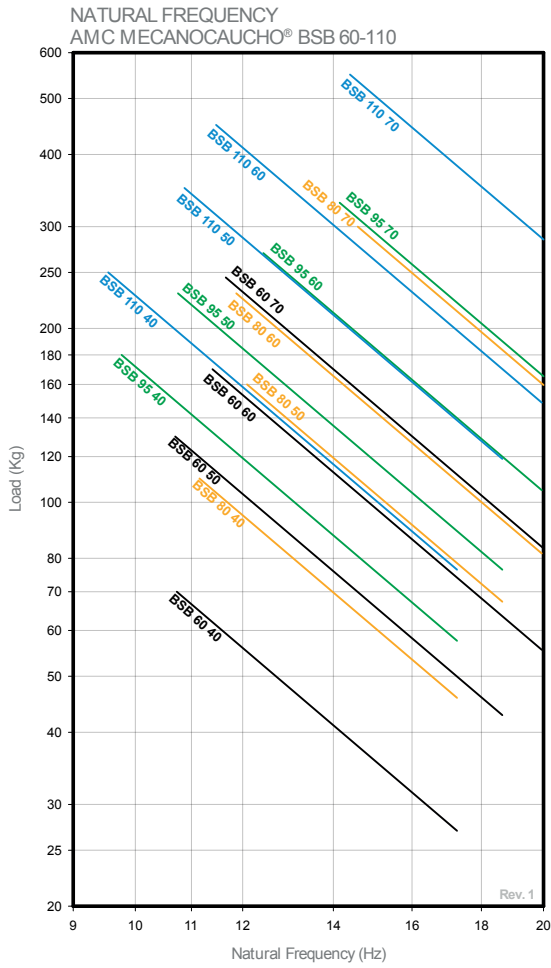


Type	A (mm)	B (mm)	C (mm)	D1 (Min.)	D2 (Max.)	E (mm)	F (mm)	G (mm)	Weight (gr.)	Code	Load (kg)	Shore
BSB 60	64	34	M-10	76,5	90,5	110	9	2,5	235	135106	70	40 Sh
										135109	130	50 Sh
										135107	170	60 Sh
										135108	245	70 Sh
BSB 80 M10	78	31	M-10	108,2	111,2	130	9,2	3	355	135261	110	40 Sh
										135262	160	50 Sh
										135263	230	60 Sh
										135264	300	70 Sh
BSB 80 M12	78	31	M-12	108,2	111,2	130	9,2	3	351	135265	110	40 Sh
										135266	160	50 Sh
										135267	230	60 Sh
										135268	300	70 Sh
BSB 95 M10	92	34	M-10	122	126,4	150	10	3	488	135311	180	40 Sh
										135312	230	50 Sh
										135313	270	60 Sh
										135314	330	70 Sh
BSB 95 M12	92	34	M-12	122	126,4	150	10	3	488	135315	180	40 Sh
										135316	230	50 Sh
										135317	270	60 Sh
										135318	330	70 Sh
BSB 110 M12	106	37	M-12	137	150	175	13	3	785	135335	250	40 Sh
										135336	350	50 Sh
										135337	450	60 Sh
										135338	550	70 Sh
BSB 110 M16	106	37	M-16	137	150	175	13	3	785	135150	250	40 Sh
										135151	350	50 Sh
										135152	450	60 Sh
										135153	550	70 Sh
BSB 125	123	43	M-16	154	162	190	14	4	1109	135351	450	40 Sh
										135352	550	50 Sh
										135353	690	60 Sh
										135354	900	70 Sh
BSB 150 S.B.	156	49	M-16	125	132	164	14,5	4	2060	135371	750	40 Sh
										135372	950	50 Sh
										135373	1300	60 Sh
										135374	1650	70 Sh
BSB 150	156	49	M-16	176	188	218	14,5	4	1818	135361	750	40 Sh
										135362	950	50 Sh
										135363	1300	60 Sh
										135364	1650	70 Sh
BSB 160	156	57	M-20	140	140	170	14,5	4	2200	135381	900	40 Sh
										135382	1200	50 Sh
										135383	1600	60 Sh
										135384	2300	70 Sh
BSB 180	180	67	M-20	149	163	192	14,5	4	3800	135181	1300	40 Sh
										135184	1750	50 Sh
										135182	2100	60 Sh
										135183	2900	70 Sh
BSB 220	230	105	M-24	180	180	220	19	6	6716	135301	2500	40 Sh
										135302	3200	50 Sh
										135303	4000	60 Sh
										135304	5000	70 Sh

S.B. = Square Base

MARINE CERTIFICATES





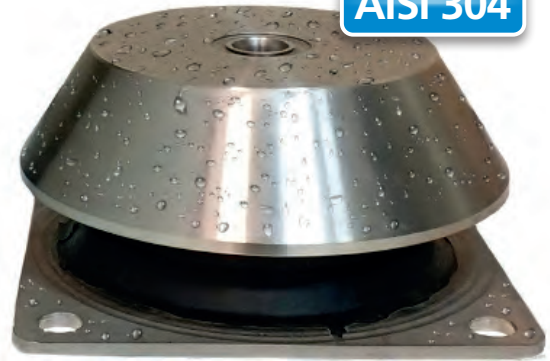
BRBX

AIISI 304

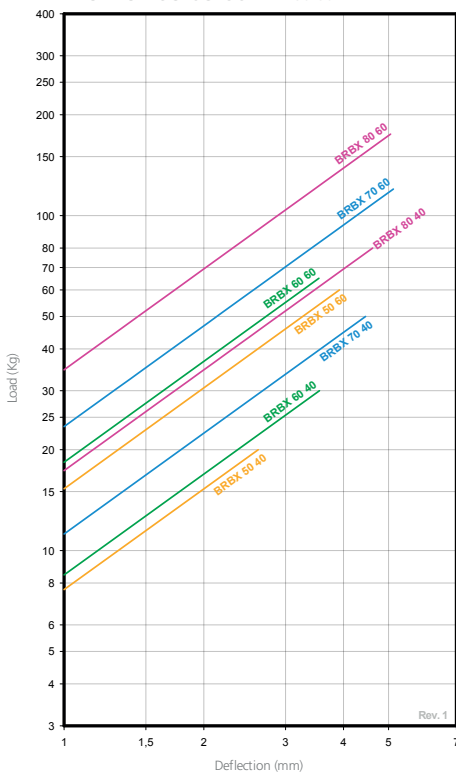
APPLICATIONS

AMC Mecanocaucho® BRBX Captive anti vibration mounts are anti vibration elements which work the rubber in shear and compression. Their high profile rubber sections produce larger deflections, low natural frequencies. This range of mounts is suitable for applications where vibration isolation is a priority.

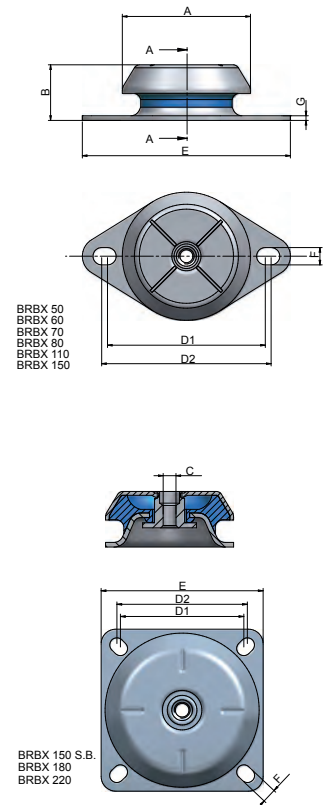
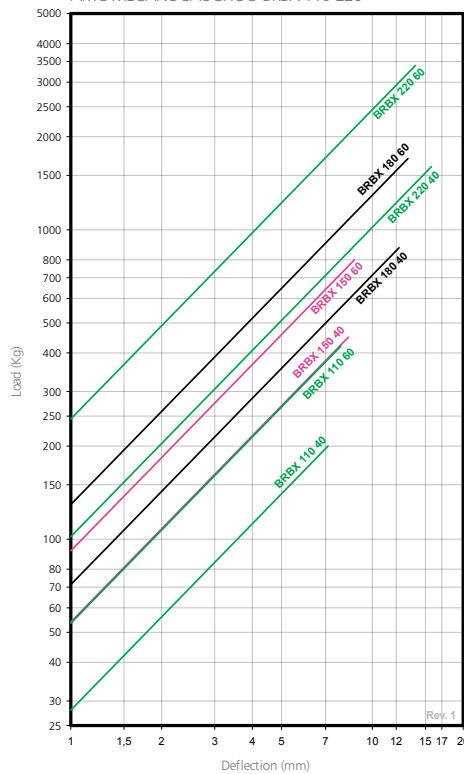
AMC Mecanocaucho® BRBX Captive mount is especially recommended for applications where vibration isolation is necessary, such as isolation of rotating or mobile machines that are continuously subjected to shocks, dripping oil or diesel or are exposed to the elements.



LOAD DEFLECTION GRAPH
AMC MECANOCAUCHO® BRBX 50-80



LOAD DEFLECTION GRAPH
AMC MECANOCAUCHO® BRBX 110-220



Type	A (mm)	B (mm)	C (mm)	D1 (Min.)	D2 (Máx.)	E (mm)	F (mm)	G (mm)	Weight (gr.)	Load (kg)	Shore	Code
BRBX 50	50	25	M-8	61	70	85	6,5	2	117	20	40Sh	135969
										60	60Sh	135973
BRBX 60	64	35	M-10	76,5	90,5	110	9	2,5	225	30	40Sh	135687
										65	60Sh	135914
BRBX 70	64	35	M-12	100	100	120	11	3	253	50	40Sh	135935
										120	60Sh	135936
BRBX 80	83	35	M-12	108	112	135	11	3	398	80	40Sh	135956
										175	60Sh	135949
BRBX 110	106	41	M-12	137	149	175	13	3	857	200	40Sh	135735
										420	60Sh	135736
BRBX 150	156	53,5	M-16	176	188	218	14,5	4	1840	450	40Sh	135975
										800	60Sh	135984
BRBX 150 S.B.	156	53,5	M-16	125	132	164	14,5	4	2030	450	40Sh	135993
										800	60Sh	135994
BRBX 180	186	84	M-20	146	150	181	14	5	3800	875	40Sh	135396
										1700	60Sh	135466
BRBX 220	230	105	M-24	180	180	220	19	6	6716	1600	40Sh	135461
										3400	60Sh	135463

BRT

DESCRIPTION

AMC MECANOCAUCHO® BRT engine mounts are antivibration elements which work the rubber in shear and compression with an optimal ratio of stiffness and horizontal stability. These engine mounts are really applicable as stabilizers of electrical cabinets or racks. Thanks to the robust fail safe architecture it is useful in applications where the box type assembly is submitted to shocks.

TECHNICAL CHARACTERISTICS

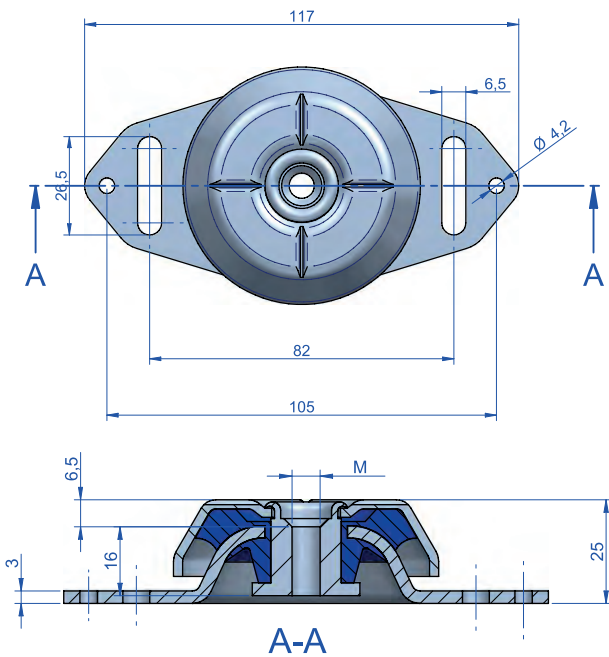
- The top metal hood protects the rubber from the Ozone, UV rays, diesel or oils which may cause major damage to the rubber.
- The metal parts have a suitable anticorrosive treatment for outdoor applications. RoHs compliant.
- They have an interlocking metal component that provides a fail-safe protection for mobile applications. This device limits vertical movement when the mounting is submitted to shock inputs.
- The mounts are clearly identified, as the baseplates are engraved with the type and hardness, which makes it possible to easily recognise the part even after several years of use.
- The hood has a cross stamped on the top, which enhances its stiffness on mobile applications and also improves the evacuation of oils or liquids that splash onto it.

APPLICATIONS

This mount is suitable for mobile boxes or racks that require greater control of movement due to axial and radial shock inputs providing reasonable values of vibration and noise attenuation, such as:

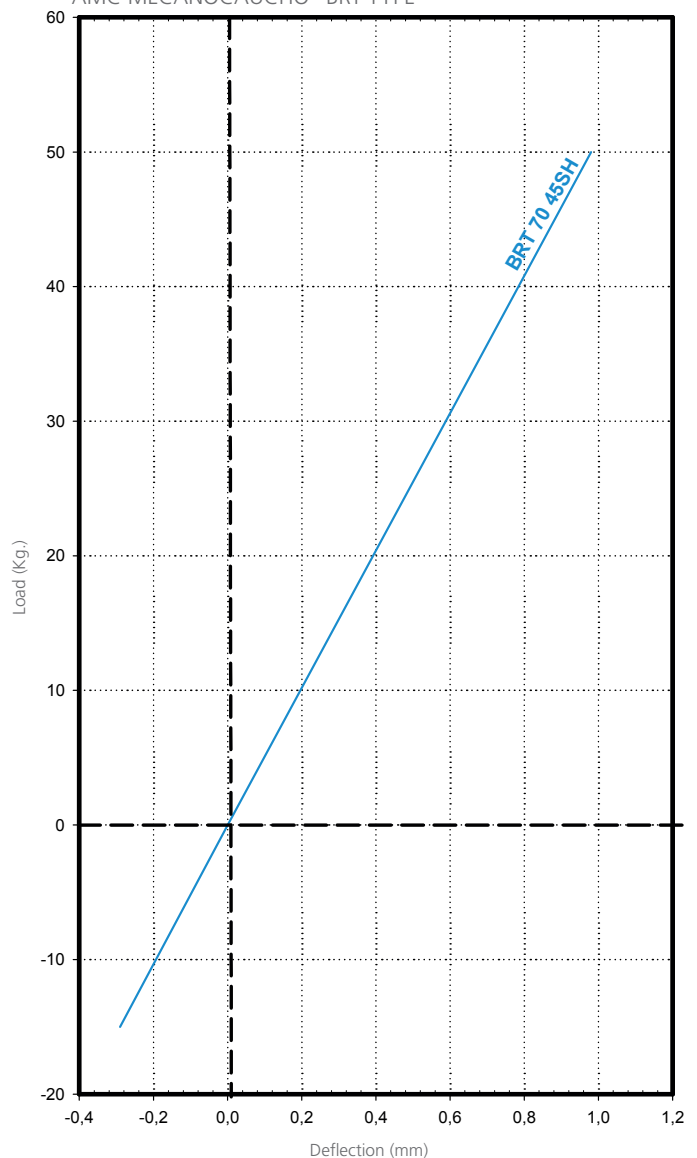
Electrical cabinets, Pumps, Marine-Land auxiliary units, Industrial Vehicles, Compressors, Ventilators...

This mount is suitable for the isolation of mobile rotating machines which are exposed to axial and radial shocks, dripping oil or diesel or exposure to weathering.

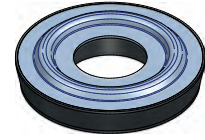
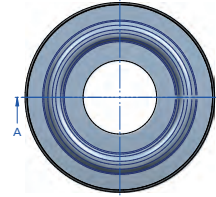
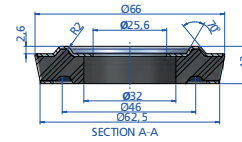


Type	Shore	Static Load max. daN	Dynamic Load max. daN	Code	M
BRT 70	45 Sh	50	150	135805	M-6
				135806	M-8
				135807	M-10

LOAD DEFLECTION GRAPH
AMC MECANOCAUCHO® BRT TYPE



Type AN-60



APPLICATIONS

AMC-MECANOCAUCHO® type AN-60 anti vibration mounts can be used from the suspension of vibratory equipment to Tune mass dampers or mobile applications that are exposed to compression and traction forces:

- The assembly on board of equipment on ships
- Railroads
- Road Transport
- Engines
- Pumps
- Generating sets

Type	Shore	Deflection mm	Weight (kg)	Max. Load (kg)	Code
AN-60	60Sh	1,8	0,05	700	180239

MD

DESCRIPTION

The AMC MECANOCAUCHO® MD-type mounts have similar architecture to the BSB and BRB. The advantage of this mount is that it is a high-damping elastic compound.

Its special mix affords it a high degree of anti-vibration isolation and offers great stability to suspended equipment.

TECHNICAL CHARACTERISTICS

- The top metal cap protects the rubber section from possible diesel , oil splashes.
- It has an electrolytic coating that protects the metal parts against corrosion.
- The mounts have an interlocking metal component that provides fail-safe protection for mobile applications. This device limits vertical movement when the mounts are subjected to shock loads in transit.

APPLICATIONS

This mount has been specially designed to isolate engines that produce high-amplitude vibrations.

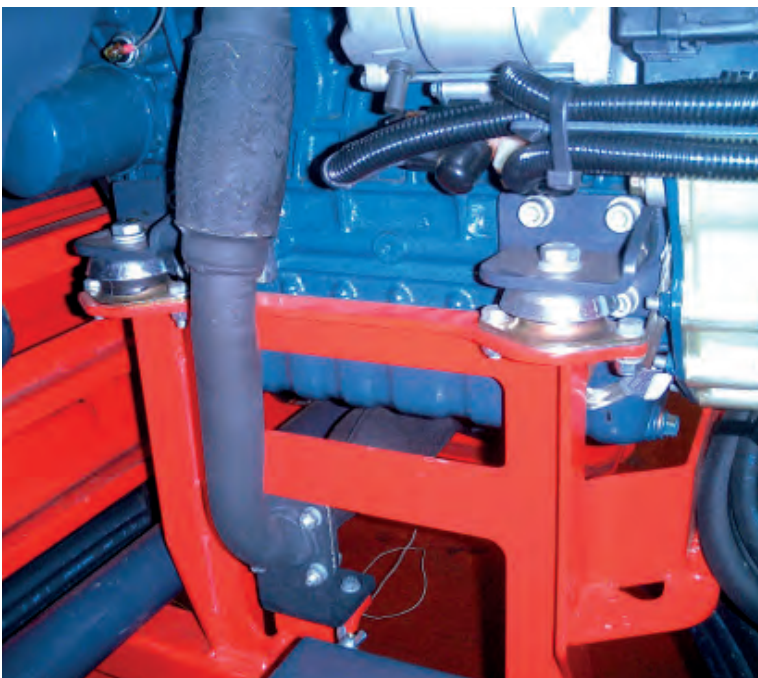
Engines from 1 to 3 cylinders used on - Motor Pumps, Gen Sets, Compressors, Ventilators...

WHEN TO USE THEM?

The AMC MECANOCAUCHO® MD-type mount has an anti-vibration mount function but also an engine stabilizer. It is used when conventional rubber-metal mounts do not guarantee sufficient stability to the engines. The MD mount can be installed on small 1, 2 and 3 cylinder engines, which are particularly unstable.

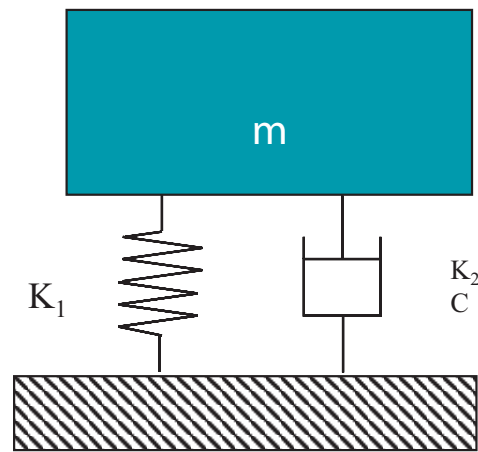
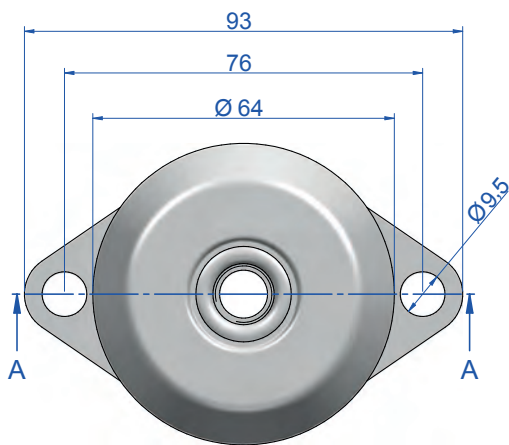
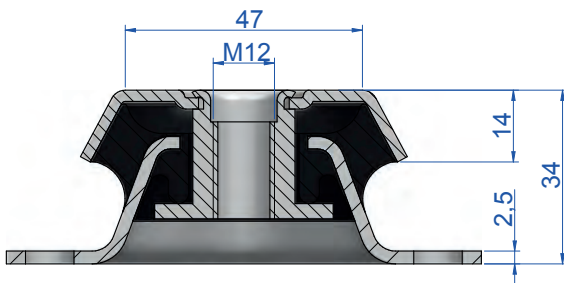
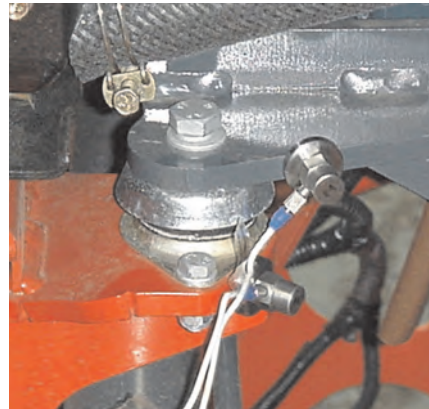
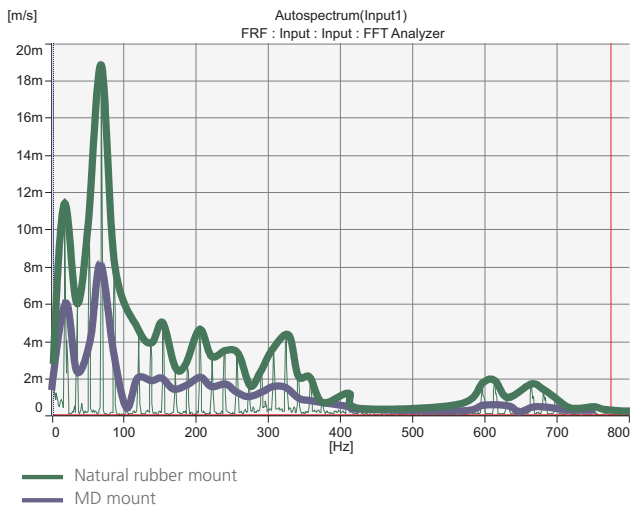
These mounts are suitable for the suspension of machines with multiple stops and

starts, and for which the passage through the resonance zone requires a high degree of damping, or which work under regimes close to the resonance frequency of the system. Diesel engines require MD mounts, especially if they have few cylinders and a large diameter because the engine then creates high amplitude vibrations which can only be corrected with increased damping.



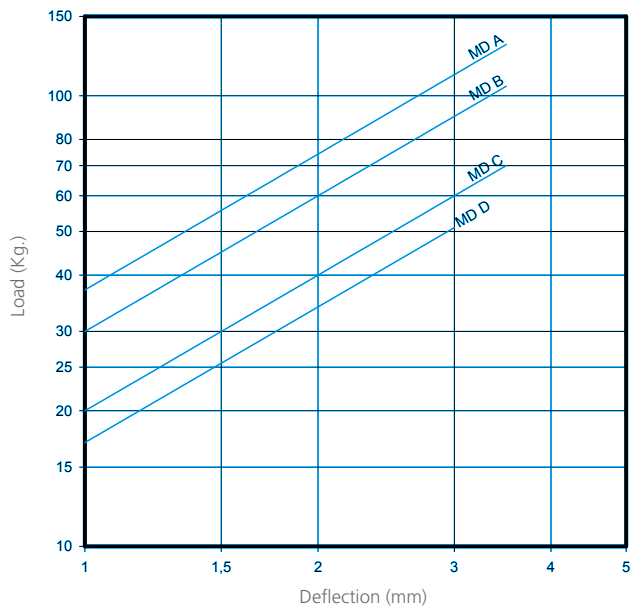
It is a very suitable mount for engines where it is not physically possible to install the antivibration mounts at the same height as the crankshaft.

VIBRATION LEVEL MEASURED IN THE ENGINE



K_1 = Main stiffness - K_2 = Secondary stiffness
 C = Damping coefficient - m = Mass

AMC LOAD DEFLECTION GRAPH
 MECANOCAUCHO® MD TYPE



Type	Load (kg)	Weight (gr.)	Code
A	130	238	135210
B	105	238	135212
C	70	238	135213
D	50	238	135219

* AMC S.A. reserves the right to modify the design and manufacture of the materials presented in this catalogue without prior notice.

MARINE MOUNTS

DESCRIPTION

The Marine-type AMC MECANOCAUCHO® mounts are ideal for mobile applications thanks to their rugged architecture.

Their special design offers different stiffnesses on the three axes, they are antivibration mounts with great vertical elasticity, great longitudinal stiffness and optimal lateral stiffness to offer extra isolation on this axis.

TECHNICAL CHARACTERISTICS

- The top part of the hood has a cross-shaped stamp, which improves its stiffness in mobile applications and also improves the evacuation of oils or liquid which splash onto it.
- The metal parts have an anticorrosive treatment which is suitable for outdoor applications. RoHs compliant.
- The mounts are clearly identified, as the bases are engraved with the type and hardness.
- They have an interlocking metal component that provides a fail-safe protection for mobile applications. This device limits the ascending vertical movement when the mounting is submitted to shocks at traction.
- The top part protects the elastomer inside from possible dripping oil, diesel, ozone and ultraviolet emissions that may cause major damage to the rubber.
- The different stiffnesses for each axis make it possible to offer major flexibility in the direction perpendicular to the crankshaft/shaft of the motor. This provides more effective isolation from vibrations of all types of engines.
- For marine engine applications, contact the AMC-MECANOCAUCHO® technical department.

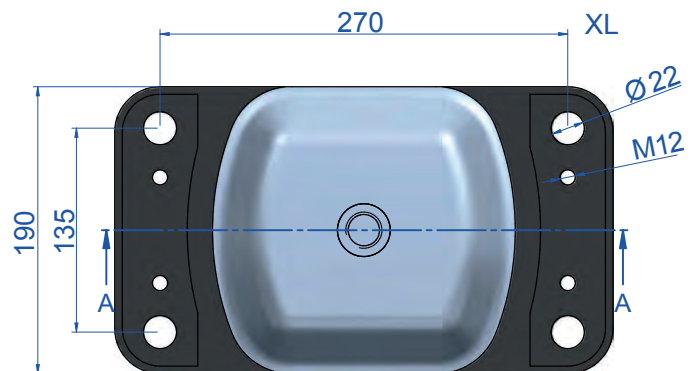
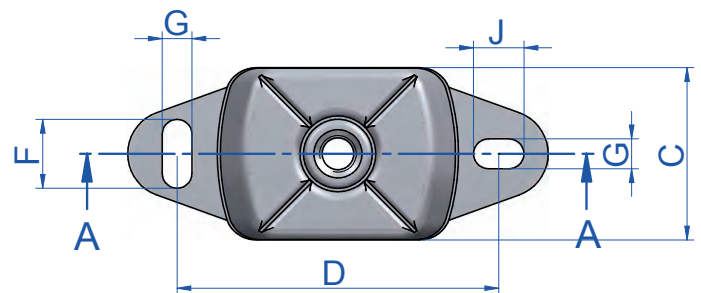
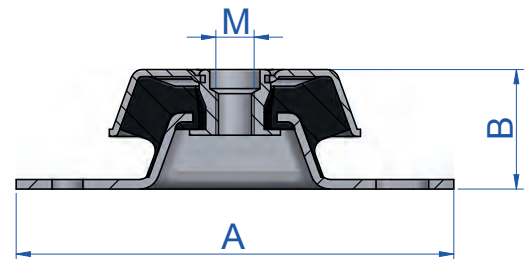
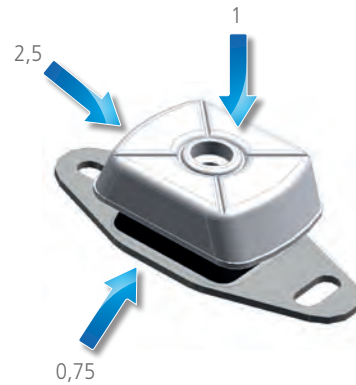
APPLICATIONS

In mobile rotating machines that need a major isolation capacity from vibrations and noises, such as:

- Pumps
- Marine-Land units
- Mobile electrical panels
- Industrial vehicles
- Compressors
- Ventilators
- Marine Propellers



Stiffness rates per axis.



Drawing Marine XL

CERTIFICATS MARITIMS

BV

ABS

DNV



MARINE MOUNT

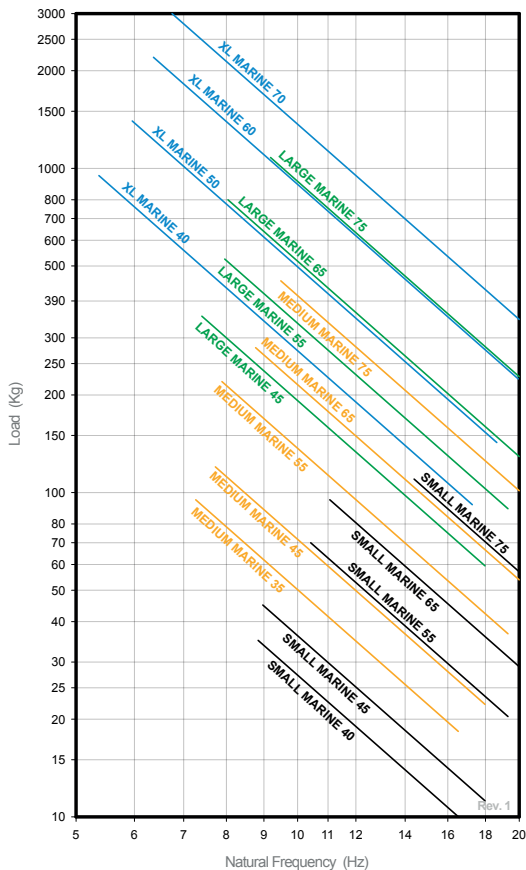
Type	A (mm.)	B (mm.)	C (mm.)	D (mm.)	F (mm.)	G (mm.)	J (mm.)	M	Weight (gr.)	Code	Load (kg)	Shore
SMALL	120	40	60	100	14	11	11	M12	397	136001	35	40 Sh
										136002	45	45 Sh
										136003	70	55 Sh
										136004	95	65 Sh
										136005	110	75 Sh
MEDIUM	184	50	75	140	30	13	22	M16	857	136021	95	35 Sh
										136022	120	45 Sh
										136023	220	55 Sh
										136024	280	65 Sh
										136025	400	75 Sh
LARGE	228	68	112	182	34	18	26	M20	2250	136041	350	45 Sh
										136042	525	55 Sh
										136043	800	65 Sh
										136044	1080	75 Sh
XL	330	112	190	270	22	22	22	M24	9600	136061	950	40 Sh
										136062	1400	50 Sh
										136063	2200	60 Sh
										136064	3000	70 Sh



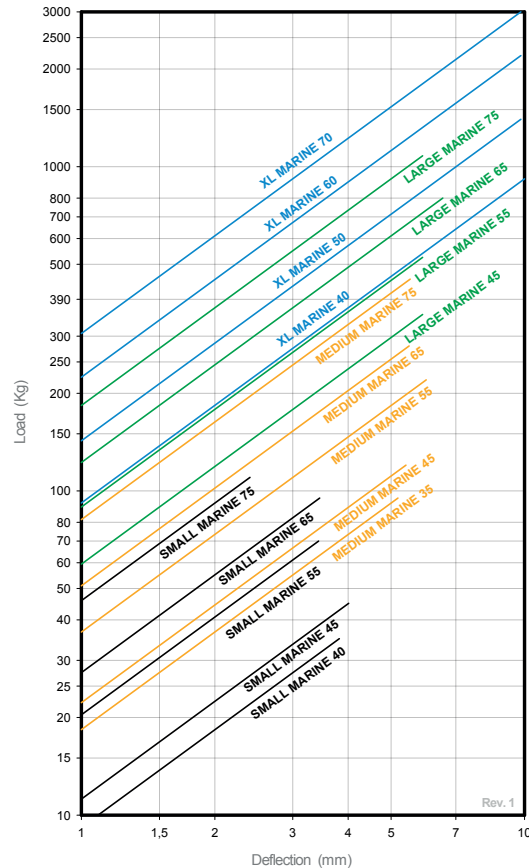
MARINE X MOUNT

Type	A (mm.)	B (mm.)	C (mm.)	D (mm.)	F (mm.)	G (mm.)	J (mm.)	M	Weight (gr.)	Code	Load (kg)	Shore
SMALL INOX	120	40	60	100	14	11	11	M12	397	136216	45	45 Sh
										136220	70	55 Sh
										136217	95	65 Sh
MEDIUM INOX	184	50	75	140	30	13	22	M16	857	136269	120	45 Sh
										136277	220	55 Sh
										136270	280	65 Sh

NATURAL FREQUENCY GRAPHS
AMC MECANOCAUCHO® MARINE ENGINE MOUNT



LOAD DEFLECTION GRAPHS
AMC MECANOCAUCHO® MARINE ENGINE MOUNT

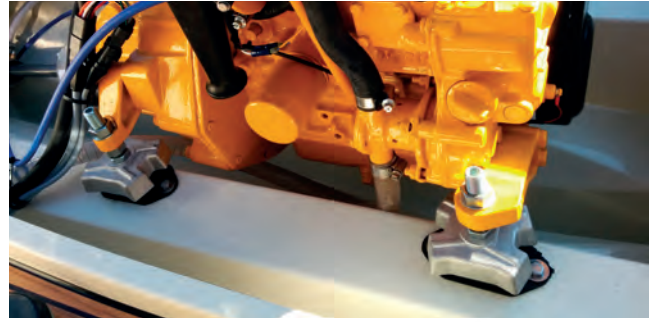


MARINE MOUNT TYPE XD

DESCRIPTION

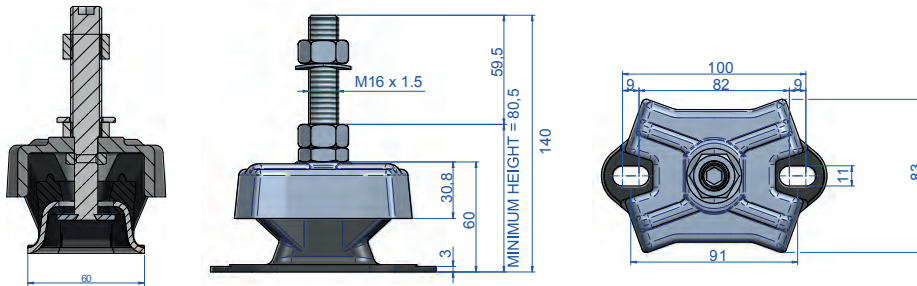
The XD Marine type AMC-MECANOCAUCHO® mounts are ideal for mobile applications where a higher degree of isolation is required.

Its specific design allows lower vertical and radial stiffness rates. This feature is particularly useful on those applications where a high vibration isolation rate is required even if the machine runs at low idle speeds. The metal parts are robust and incorporate a fail-safe device in order to resist traction forces.



Example of installation on a 3cyl engine

SECTION A-A



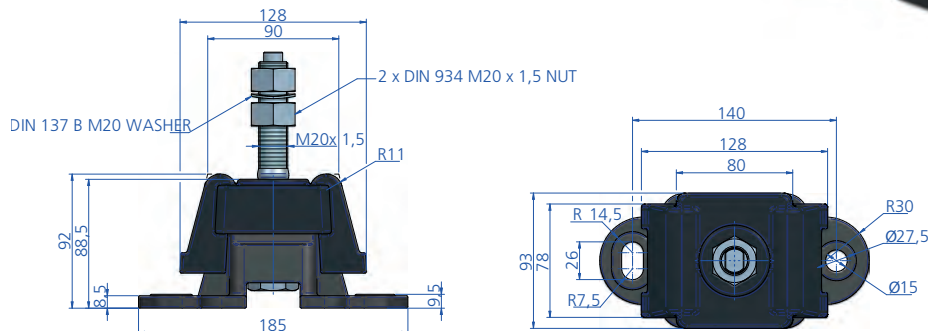
Type	Weight (gr)	Shore	Load kg max.	Code
MARINE MOUNT type XD	655	40 Sh	40	136151
		50 Sh	60	136152
		60 Sh	75	136153
		70 Sh	100	136154

MARINE MOUNT TYPE XT

DESCRIPTION

The AMC Mecanocaucho® MARINE XT Captive anti vibration mounts are anti vibration elements which work the rubber in both shear and compression. Their design has been tailored to provide a specific stiffness in each axis, a key benefit is providing a reduced roll natural frequency for engine installations.

The AMC Mecanocaucho® MARINE XT Captive mount is especially recommended for harsh applications where vibration isolation is a crucial factor, such as the isolation of rotating or mobile machines that are continuously subjected to shock forces. A high level of corrosion resistance is achieved which ensures protection from substances such as dripping oil/diesel and also in applications where there is exposure to the elements. Furthermore, thanks to their high stiffness in one of its directions, excellent results can be achieved for applications in which the thrust from the engine is high.



Type	Weight (gr)	Shore	Load kg max.	Code
MARINE MOUNT type XT	4659	35 Sh	150	136330
		45 Sh	225	136331
		55 Sh	350	136332
		65 Sh	500	136333

FZM

DESCRIPTION

The AMC-MECANOCAUCHO® type FZM mounts are ideal for mobile applications where high temperatures upto 300° C are present.

Its specific design allows very similar traction and compression stiffness rates. This feature is particularly useful on those applications where vibration in the vertical sense is predominant. The metal parts are robust and incorporate a fail-safe device in order to resist traction forces.

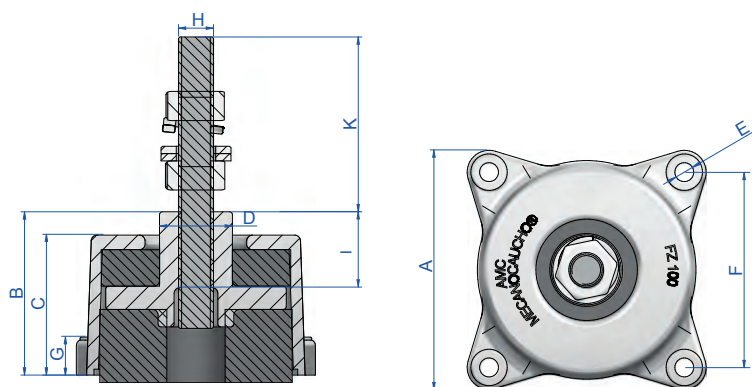
TECHNICAL CHARACTERISTICS

The cast aluminum bell has been designed to withstand to great dynamic shocks while the stainless steel wire fits tight to avoid relative displacements.

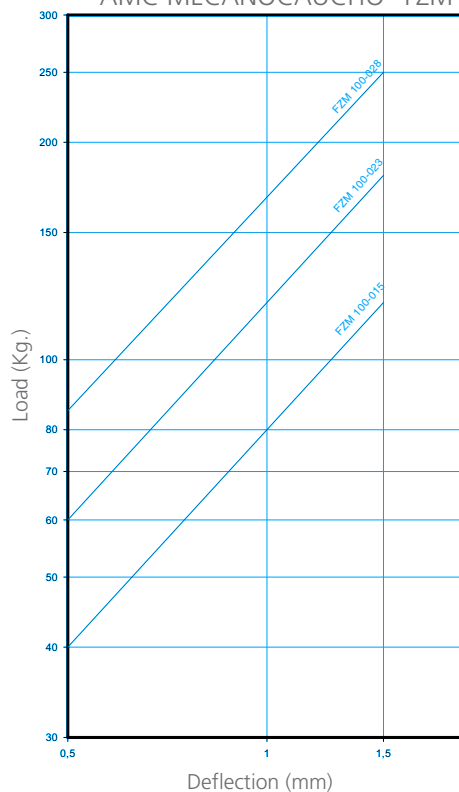
The stainless steel wire mesh and the aluminum top cap provide a higher resistance to marine corrosive environments, improving the performance of traditional marine antivibration mounts. The fail-safe device limits the vertical ascendant movement. The damping properties of the stainless steel wire mesh allows low amplification to resonance allowing stable suspended elements.

APPLICATIONS

The AMC-MECANOCAUCHO® type FZM metallic mount is used for applications exposed to high temperatures or mobile applications, for example mounting on board equipment in ships, rail, road transport such as engines, pumps, generator sets or pipe work or exhaust.



LOAD DEFLECTION GRAPH
AMC MECANOCAUCHO® FZM



Type	A (mm)	B (mm)	C (mm)	D (mm)	E (mm)	F (mm)	G (mm)	H (mm)	I (mm)	K (mm)	Load (kg)	Weight (gr.)	Code
FZM 100-015 + KIT M12	80	56	48	25	6.5	67	13	12	40	60	120	842	176622
FZM 100-023 + KIT M12	80	56	48	25	6.5	67	13	12	40	60	180	842	176628
FZM 100-028 + KIT M12	80	56	48	25	6.5	67	13	12	40	60	250	842	176634
FZM 100-015	80	56	48	25	6.5	67	13	12	40	-	120	761	176621
FZM 100-023	80	56	48	25	6.5	67	13	12	40	-	180	761	176627
FZM 100-028	80	56	48	25	6.5	67	13	12	40	-	250	761	176633

* AMC S.A. reserves the right to modify the design and manufacture of the materials presented in this catalogue without prior notice.

FZ + SYLOMER® MOUNTS

DESCRIPTION

The AMC MECANOCAUCHO® FZ mounts use high resiliency Sylomer® polyurethane compounds. The internal architecture of the mount is composed of two metal parts surrounded by the elastic compound. The exterior metallic armor incorporates 4 holes for the fixation of the mount to the frame. The interior metal part consists of a machined metal ring that transfers the traction and compression loads to the elastomer. This machined metal ring has a wider diameter than the exterior metal armor acting as a failsafe device.

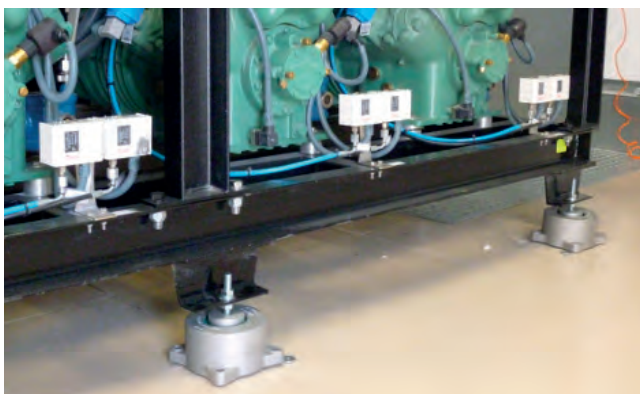
TECHNICAL CHARACTERISTICS

- The AMC-MECANOCAUCHO FZ mounts incorporate an interlocking metal component that provide a fail-safe protection for mobile applications. This device limits the ascending vertical movement when the mounting is submitted to shocks at traction.
- The thickness of the metal parts are robust and are suitable for off-road applications. The metal parts have a suitable anticorrosive treatment for outdoor applications.
- The Sylomer® polyurethane compound is oil resistant and the temperature range of the FZ mounts is -30° C to +70° C.

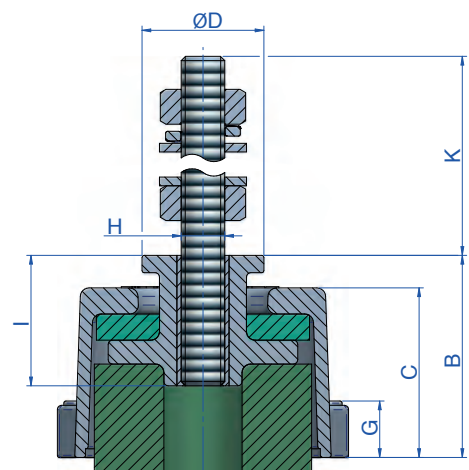
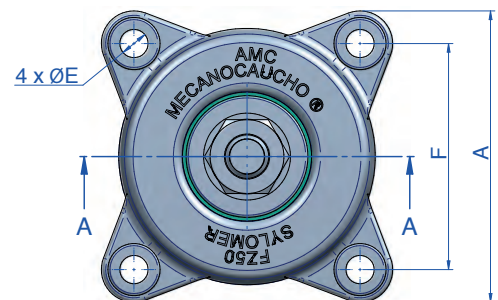
APPLICATIONS

The AMC MECANOCAUCHO® FZ mounts have been primarily designed for static applications.

They are often used for the isolation of sensitive equipment embarqued on vehicles submitted to shocks.



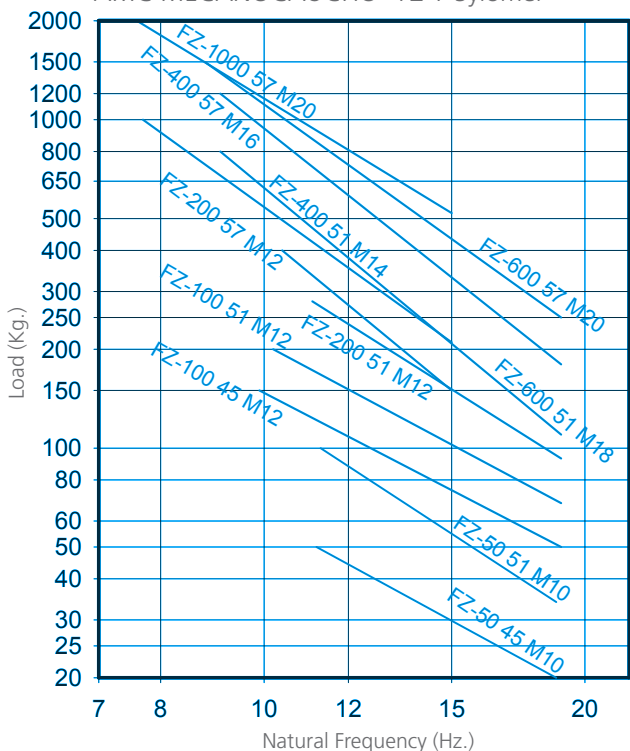
Example of installation on a HVAC equipment



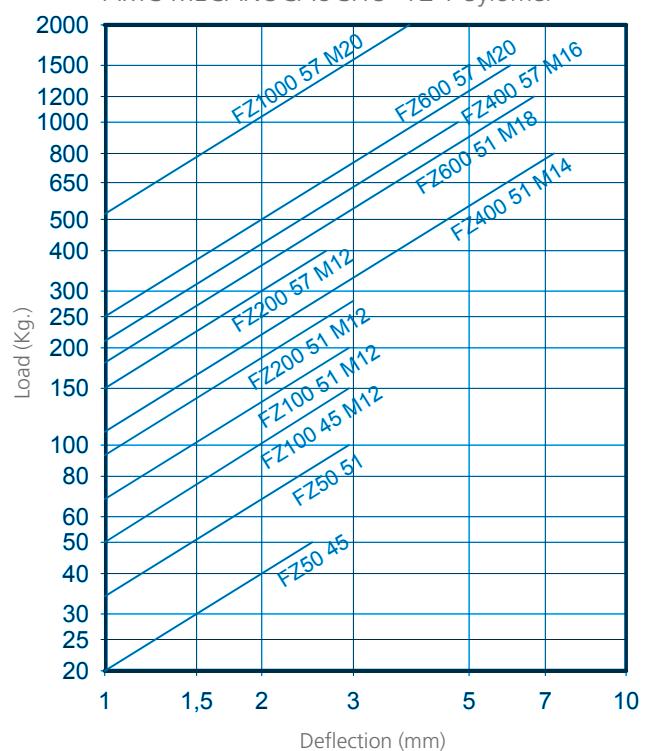
A-A SECTION

Type	A (mm)	B (mm)	C (mm)	D (mm)	E (mm)	F (mm)	G (mm)	H (mm)	I (mm)	K (mm)	Load (kg)	Weight (gr.)	Code
FZ-50-27-M10 + LEV KIT	67	46.5	39	28	6.5	52	13	10	26	60	15	311	176293
FZ-50-33-M10 + LEV KIT	67	46.5	39	28	6.5	52	13	10	26	60	25	311	176295
FZ-50-39-M10 + LEV KIT	67	46.5	39	28	6.5	52	13	10	26	60	45	311	176297
FZ-50-45-M10 + LEV KIT	67	46.5	39	28	6.5	52	13	10	26	60	50	311	176281
FZ-50-51-M10 + LEV KIT	67	46.5	39	28	6.5	52	13	10	26	60	50-100	311	176291
FZ-100-45-M12 + LEV KIT	82	56	48	25	6.5	67	13	12	27,5	60	100-150	464	176299
FZ-100-51-M12 + LEV KIT	82	56	48	25	6,5	67	13	12	27,5	60	150-200	464	176301
FZ-200-51-M12 + LEV KIT	109	72	55	40	8,5	90	15	12	27,5	60	170-280	978	176311
FZ-200-57-M12 + LEV KIT	109	72	55	40	8,5	90	15	12	27,5	60	280-400	978	176321
FZ-200-57-M14 + LEV KIT	109	72	55	40	8,5	90	15	14	27,5	60	280-400	978	176323
FZ-400-51-M14 + LEV KIT	155	94	80	65	12,5	125	22	14	27,5	60	460-800	2461	176331
FZ-400-57-M16 + LEV KIT	155	94	80	65	12,5	125	22	16	27,5	60	800-1000	2461	176341
FZ-600-51-M18 + LEV KIT	175	94	80	65	14	140	23	18	28	60	1000-1200	3077	176351
FZ-600-57-M20 + LEV KIT	175	94	80	65	14	140	23	20	28	60	1200-1500	3077	176361
FZ-1000-57-M20 + LEV KIT	205	95	80	65	16	162	28	20	28	60	1500-2000	3751	176371
FZ-50-27-M10	67	46.5	39	28	6.5	52	13	10	26	-	15	260	176294
FZ-50-33-M10	67	46.5	39	28	6.5	52	13	10	26	-	25	260	176296
FZ-50-39-M10	67	46.5	39	28	6.5	52	13	10	26	-	45	260	176298
FZ-50-45-M10	67	46.5	39	28	6.5	52	13	10	26	-	50	260	176282
FZ-50-51-M10	67	46.5	39	28	6.5	52	13	10	26	-	50-100	260	176292
FZ-100-45-M12	82	56	48	25	6.5	67	13	12	27,5	-	100-150	380	176300
FZ-100-51-M12	82	56	48	25	6,5	67	13	12	27,5	-	150-200	380	176302
FZ-200-51-M12	109	72	55	40	8,5	90	15	12	27,5	-	170-280	868	176312
FZ-200-57-M12	109	72	55	40	8,5	90	15	12	27,5	-	280-400	868	176322
FZ-200-57-M14	109	72	55	40	8,5	90	15	14	27,5	-	280-400	868	176324
FZ-400-51-M14	155	94	80	65	12,5	125	22	14	27,5	-	460-800	2253	176332
FZ-400-57-M16	155	94	80	65	12,5	125	22	16	27,5	-	800-1000	2253	176342
FZ-600-51-M18	175	94	80	65	14	140	23	18	28	-	1000-1200	2756	176352
FZ-600-57-M20	175	94	80	65	14	140	23	20	28	-	1200-1500	2756	176362
FZ-1000-57-M20	205	95	80	65	16	162	28	20	28	-	1500-2000	3348	176372

NATURAL FREQUENCY
AMC MECANOCAUCHO® FZ + Sylomer®



LOAD DEFLECTION GRAPH
AMC MECANOCAUCHO® FZ + Sylomer®



* AMC S.A. reserves the right to modify the design and manufacture of the materials presented in this catalogue without prior notice.

HYDRAULIC MOUNTS

DESCRIPTION

The AMC MECANOCAUCHO® Hydraulic mounts combine a spring and a hydraulic damper in a single compact unit that allows tuning of the spring and damper independently.

This provides flexibility in matching the dynamic characteristics of the isolator to the requirements of the application.

The internal architecture of the mount is composed of a new system that bonds the rubber to the metal parts in order to eliminate any leakage of the dampening fluid when the mount is submitted to high magnitude shocks.

For good isolation, low damping is required. For motion control, high dampening is required. The MECANOCAUCHO® hydraulic mounts accommodate these conflicting requirements. The fluid cavity is divided into two chambers with an orifice in between, so that motion of the elastomeric element causes fluid to flow from one chamber to the other, dissipating energy and thus creating damping in the system.

These mounts are particularly interesting for those installations that require a soft isolator for good isolation but still require motion control under transient (shock) inputs or when operating close to the isolation system's resonant frequency.

TECHNICAL CHARACTERISTICS

- The AMC MECANOCAUCHO® Hydraulic mounts have an interlocking metal component that provides a fail-safe protection for mobile applications. This device limits the ascending vertical movement when the mounting is submitted to shocks at traction.
- The thickness of the metal parts make this mount robust and suitable for off-road applications. The metal parts have a suitable anticorrosive treatment for outdoor applications. RoHS compliant.

APPLICATIONS

The AMC MECANOCAUCHO® Hydraulic mounts have been primarily designed as engine and operator cab isolator in vehicular off highway and agricultural applications.

It is particularly interesting for those engines that operate on a variable rotating speed that must pass the natural frequency of the system during its normal functioning. Examples of this may be engines of 1,2,3 or 4 cylinders used on construction or agricultural equipment.

It is also interesting for cabins where vibration isolation is required for operator comfort purposes but as well stability when the cabin is submitted to transient shocks.



Picture of an engine application.



HYDRAULIC MINI	HYDRAULIC SMALL	HYDRAULIC SMALL RECT.
HYDRAULIC MEDIUM	HYDRAULIC MEDIUM RECT.	HYDRAULIC MEDIUM HS2
HYDRAULIC MEDIUM HS4	HYDRAULIC XR C	HYDRAULIC XR
HYDRAULIC LARGE	HYDRAULIC LARGE RECT.	

Type	Tightening torque max. (Nm)	Weight (gr.)	Shore	Max. Load (kg)	Code
MINI	41	335	40 Sh	20	177031
			50 Sh	30	177032
			60 Sh	50	177033
			70 Sh	70	177034
SMALL	41	917	40 Sh	60	177001
			50 Sh	100	177002
			60 Sh	145	177003
			70 Sh	180	177013
SMALL RECT.	41	938	40 Sh	60	177015
			50 Sh	100	177016
			60 Sh	145	177017
			70 Sh	180	177018
MEDIUM	71	1030	40 Sh	100	177004
			50 Sh	150	177005
			60 Sh	200	177006
			70 Sh	250	177011
MEDIUM RECT.	71	1050	40 Sh	100	177022
			50 Sh	150	177021
			60 Sh	200	177023
			70 Sh	250	177024
MEDIUM HS 2	71	1030	40 Sh	125	177045
			50 Sh	180	177046
			60 Sh	250	177047
			70 Sh	300	177048
MEDIUM HS 4	71	1050	40 Sh	125	177035
			50 Sh	180	177036
			60 Sh	250	177037
			70 Sh	300	177038
XR C	-	1400	40 Sh	125	177392
			50 Sh	180	177393
			60 Sh	250	177358
			70 Sh	300	177395
XR	-	1600	40 Sh	125	177396
			50 Sh	180	177397
			60 Sh	250	177398
			70 Sh	300	177399
LARGE	350	2445	40 Sh	235	177007
			50 Sh	295	177008
			60 Sh	345	177009
			70 Sh	410	177014
LARGE RECT.	350	2713	40 Sh	235	177041
			50 Sh	295	177042
			60 Sh	345	177043
			70 Sh	410	177044

OPERATION AND ASSEMBLY

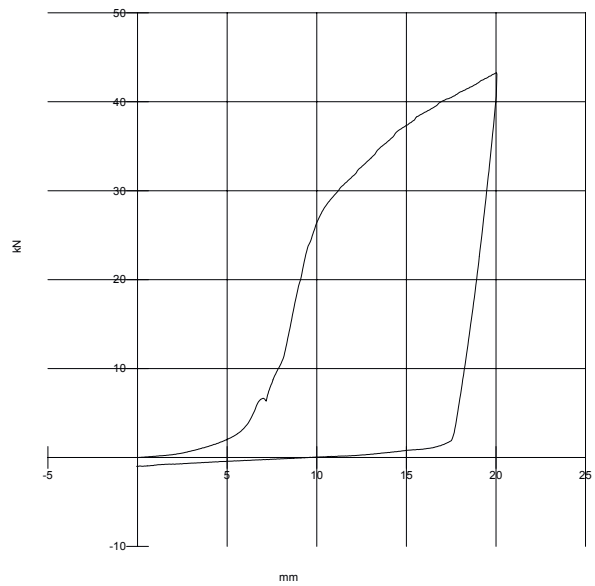
A hook wrench should be used in the slots to avoid the rotation movement of the rubber.

TECHNICAL ADVICE FOR FOPS ROPS APPROVAL

AMC-MECANOCAUCHO's technical department will be pleased to offer you advice on correct installation procedures to achieve FOPS/ROPS tests approvals.

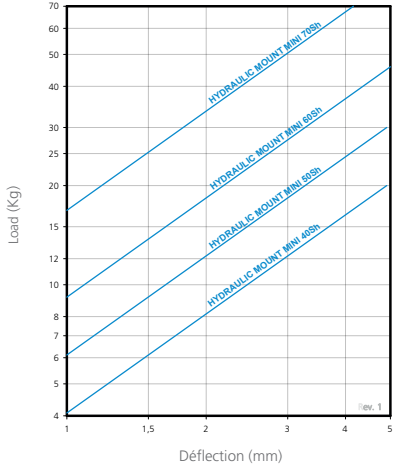
These pictures show a typical traction test on rectangular hydraulic medium mount subjected to loads up to 4 Tonnes without destruction of the part. For more information on this topic, please contact our technical department.

TRACTION TEST (Hydraulic medium square)

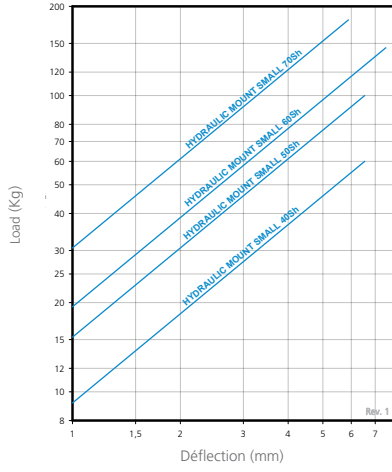


LOAD DEFLECTION

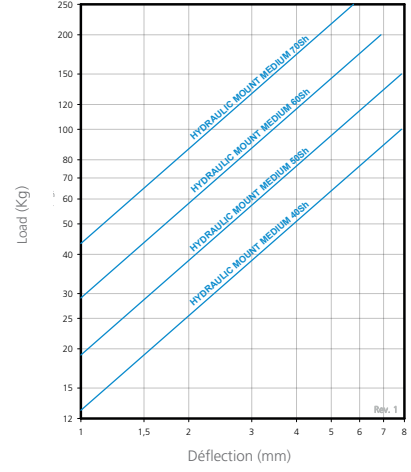
MINI



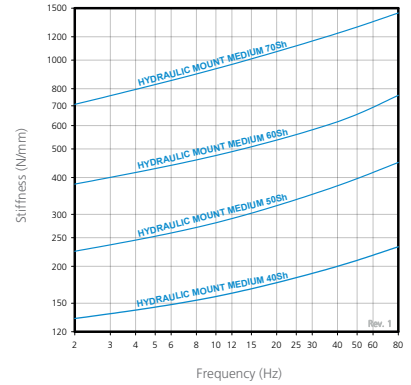
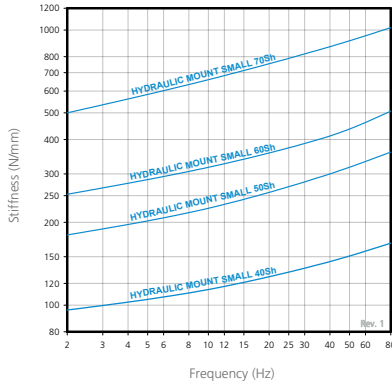
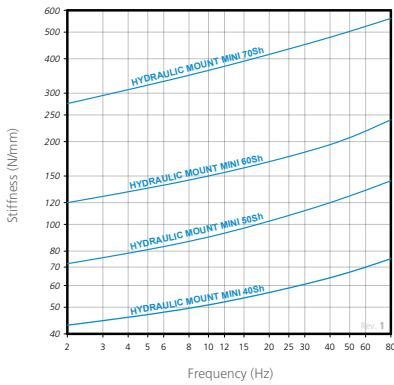
SMALL



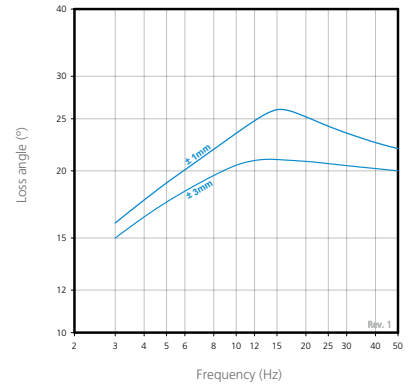
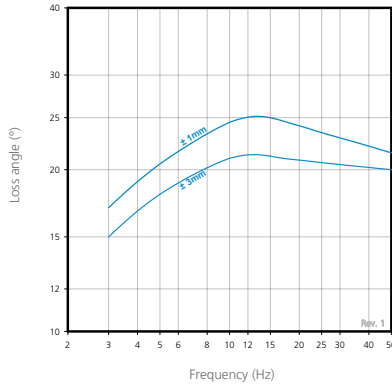
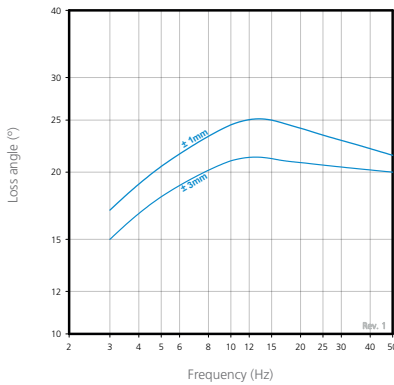
MEDIUM



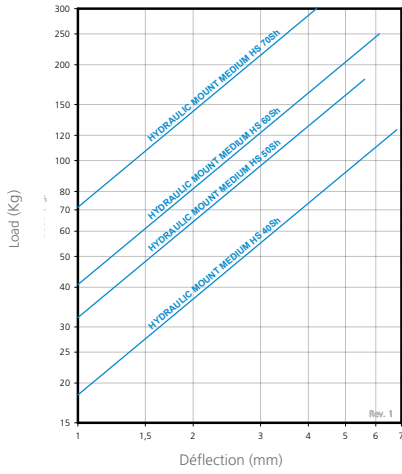
DYNAMIC STIFFNESS



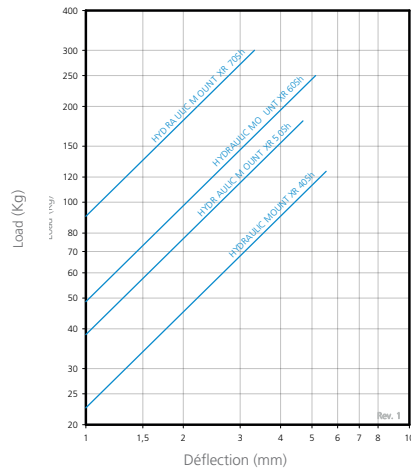
DAMPING COEFFICIENT



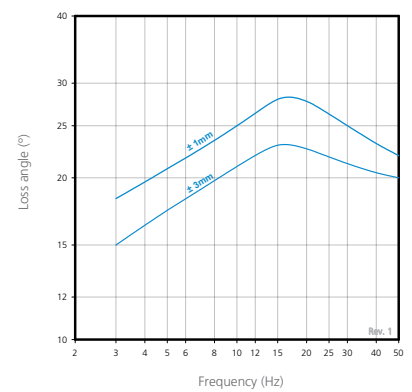
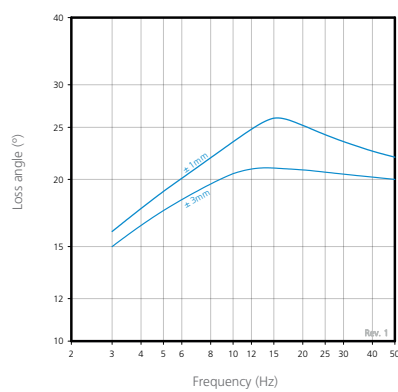
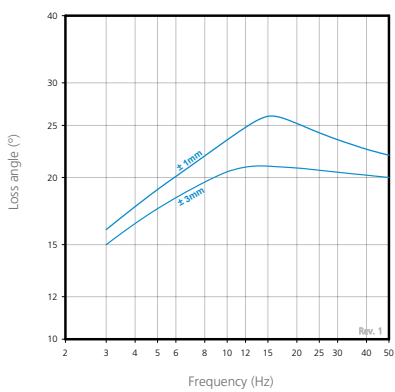
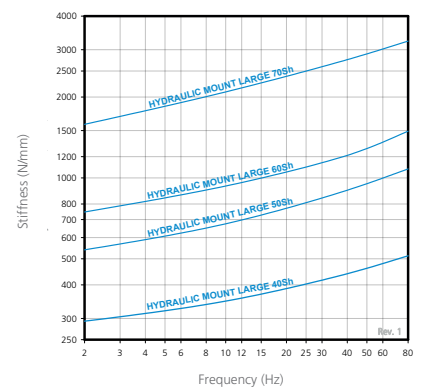
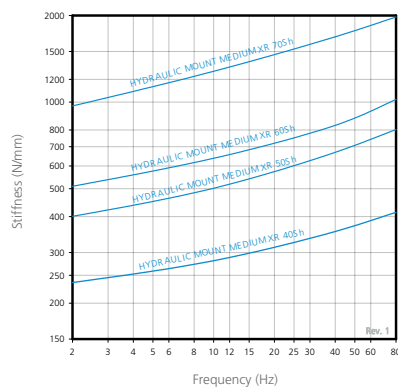
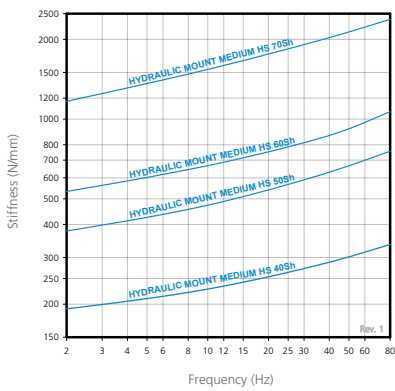
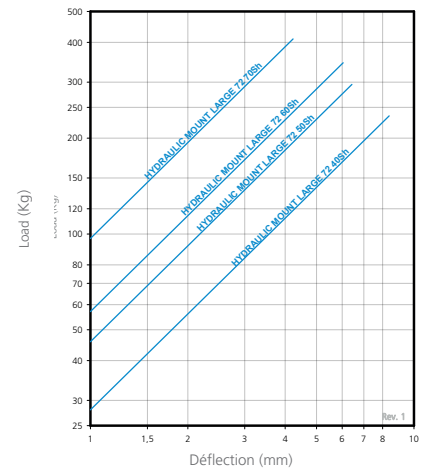
MEDIUM HS



XR



LARGE

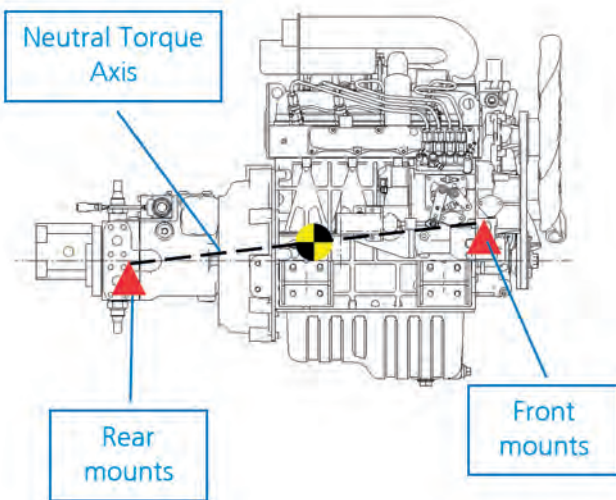


INSTALLATION ADVICE FOR HYDRAULIC MOUNTS

The correct position of the mounts will affect the vibration modes and reduce the natural frequencies of the suspended element, therefore increasing the vibration isolation.

Key factors to consider are:

- All the mounts should withstand a similar static load. In the longitudinal direction, the mounts should be installed symmetrically around the total COG.
- To achieve the lowest natural frequencies possible and to improve dynamic load distribution, the mounts should be installed symmetrically around the total COG in the transverse direction.
- To minimize the dynamic forces transmitted by the mounts, it is recommended to install the mounts on the imaginary Neutral Torque Axis (referred to as the NTA), this connects the front & rear mounts with the total centre of gravity.
- If the mounts are soft (to minimize the transmitted forces) and they are installed on the NTA, the dynamic forces can be effectively isolated.



It is recommended to install the Hydraulic Mounts in the upright vertical position. If they are installed in an inclined position, the weight of the suspended equipment would create a static radial load. This could result in the internal piston directly contacting on the internal wall of the hydraulic chamber, this would dramatically increase the mounts stiffness and therefore reduce the vibration isolation.

Another effect of an inclined installation is that it can create an unwanted hammering effect, due to the piston hitting the internal wall of the hydraulic chamber.

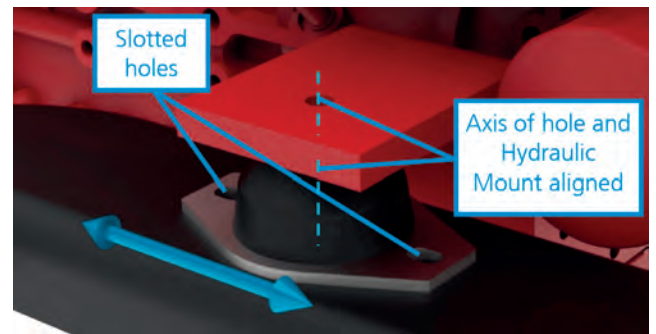
Due to this, AMC recommends installing Hydraulic Mounts in the upright vertical position, so the weight of the suspended system acts in the axial direction of the mounts.



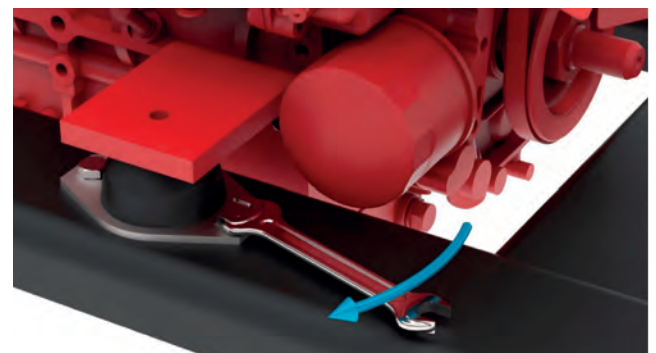
It is important to keep the alignment between the anti-vibration mount and the fixation brackets. Fastening the mounts misaligned can result in the internal piston of the Hydraulic Mounts touching the internal wall of the hydraulic chamber, dramatically increasing the mounts stiffness and therefore reducing the vibration isolation. It can also produce a hammering effect.

Furthermore any misalignment in the installation is absorbed by the rubber element itself, this places additional unwanted stress on to it.

The slotted holes help to accommodate the position of the Hydraulic Mounts to keep the alignment correct.



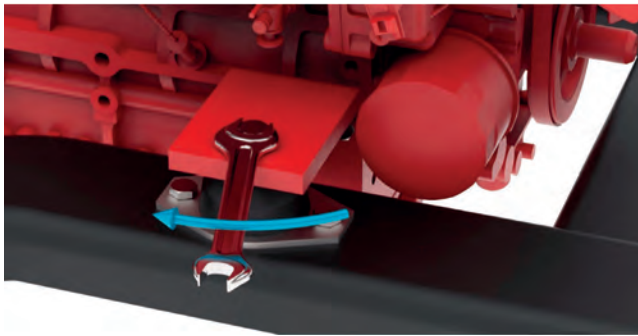
Once aligned, the flange of the Hydraulic Mounts can be fastened:



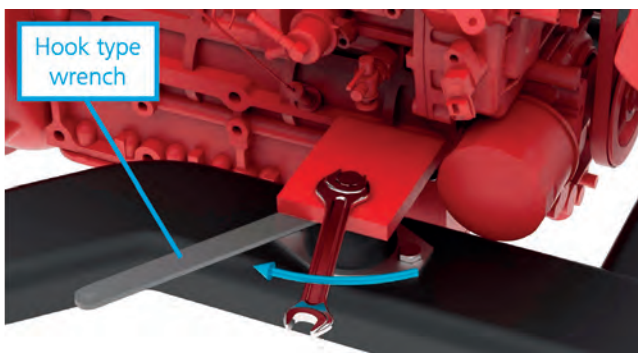
During the fastening of the top screw, it is important to not twist the rubber. Twisting the rubber unnecessarily increases the stress on the rubber and can introduce damage to the bonding surfaces. This might lead to premature appearance of cracks or premature failure of the adhesion between the rubber and the metal parts.

TO AVOID THE TWISTING OF THE RUBBER, THERE ARE SEVERAL METHODS:

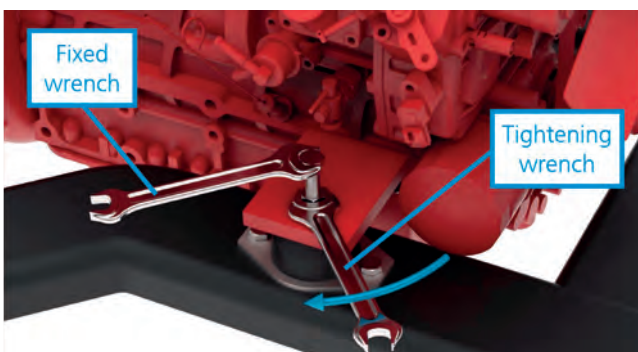
- Sometimes the friction between surfaces is enough to avoid twisting the rubber.



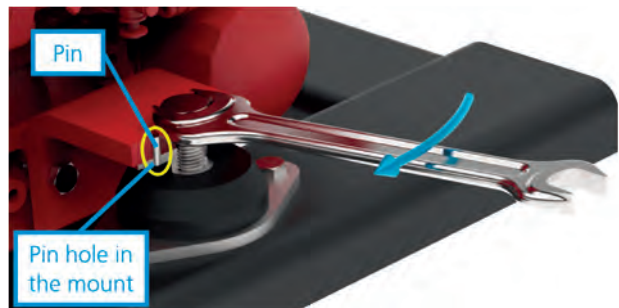
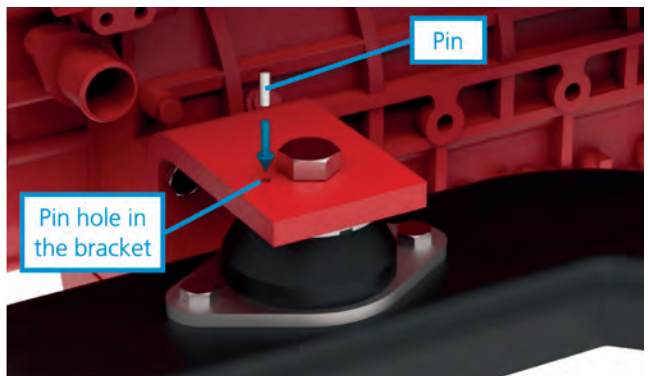
- Hold the top washer with a hook type wrench, using the slots of the top washer.



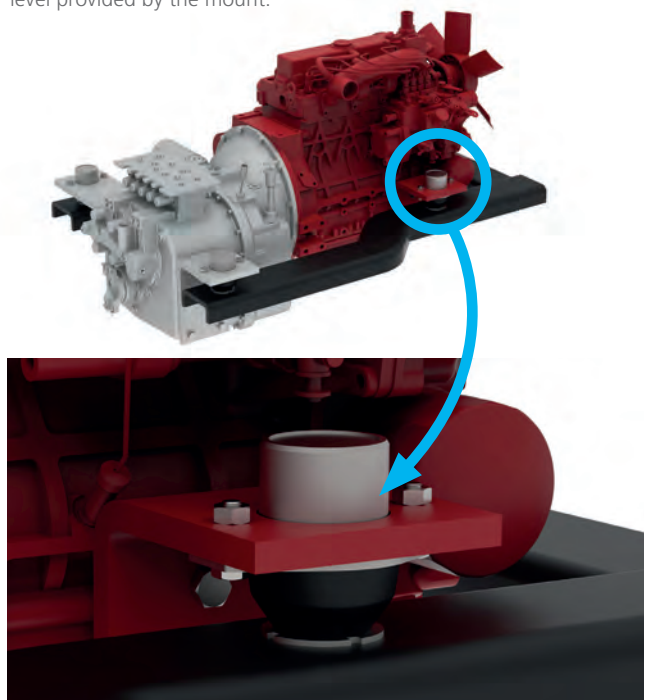
- Tighten the top screw using a pair of wrenches. While one wrench holds the bolt, the other can tighten the nut.



- The Hydraulic Mounts Large are provided with pin holes. Using them prevents the twisting of the rubber.



The Hydraulic Mounts can also be installed upside down, providing that they are still working in compression. However it is important to note that the damping fluid inside the hydraulic chamber will tend to go downward due to the gravity. Although this factor is not critical to the mounts performance, it might somehow reduce the damping level provided by the mount.



HYDRAULIC CONES

DESCRIPTION

The AMC-MECANOCAUCHO® hydrocone is a combination of a spring component and a hydraulic shock absorber in the shape of a cone. With this both components can be tuned to each other.

For good vibration insulation you need a low dampening coefficient but for movement control you need a high dampening coefficient.

The AMC MECANOCAUCHO® hydrocone combines these two completely different requirements in one single bearing.

This gives you the opportunity to adapt the dynamic properties of the insulator to the individual requirements of the application.

Our vibration dampeners do this by the hydraulic fluid flowing from one chamber to the next as a result of the movement of the rubber component. An energetic dissipation results from this process.

TECHNICAL CHARACTERISTICS

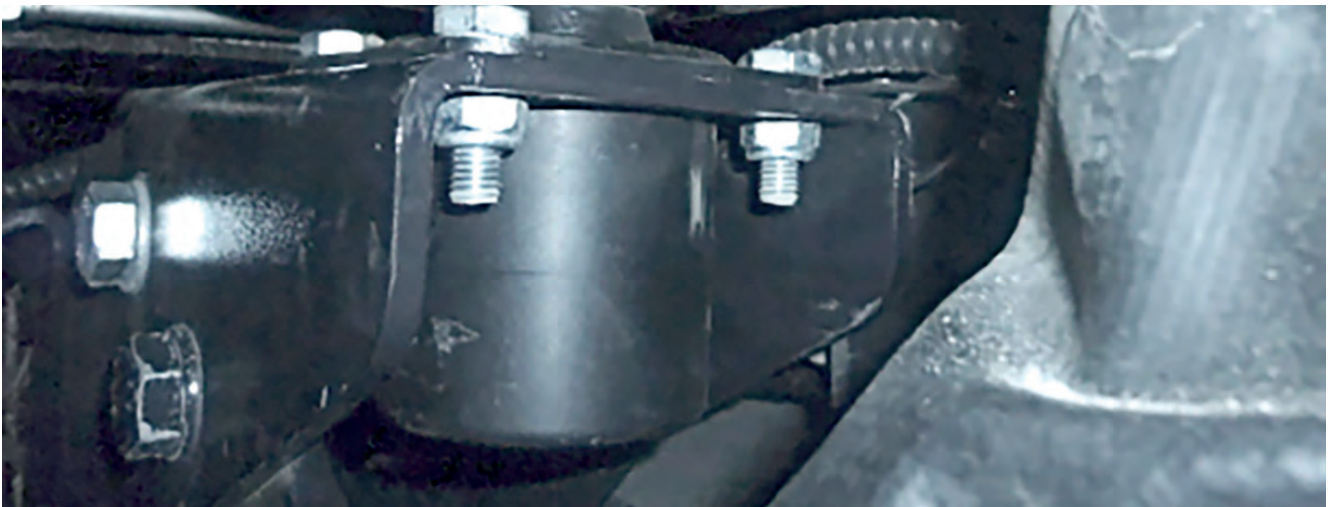
- AMC MECANOCAUCHO® hydraulic shock absorbers have an advanced breakaway device inside the bearing that prevents tensile forces on the elastomer by limiting its upward vibration stroke. The newly-developed internal structure of the vibration dampener consists of a metal part system. The elastomer is vulcanised to the whole of this. This prevents a loss of hydraulic fluid should the vibration dampener be subject to great dynamic overloads.
- The thickness of the metal parts ensures that the dampener is strong enough for mobile applications. The metal parts are treated with a resistant corrosion protection for outdoor use.

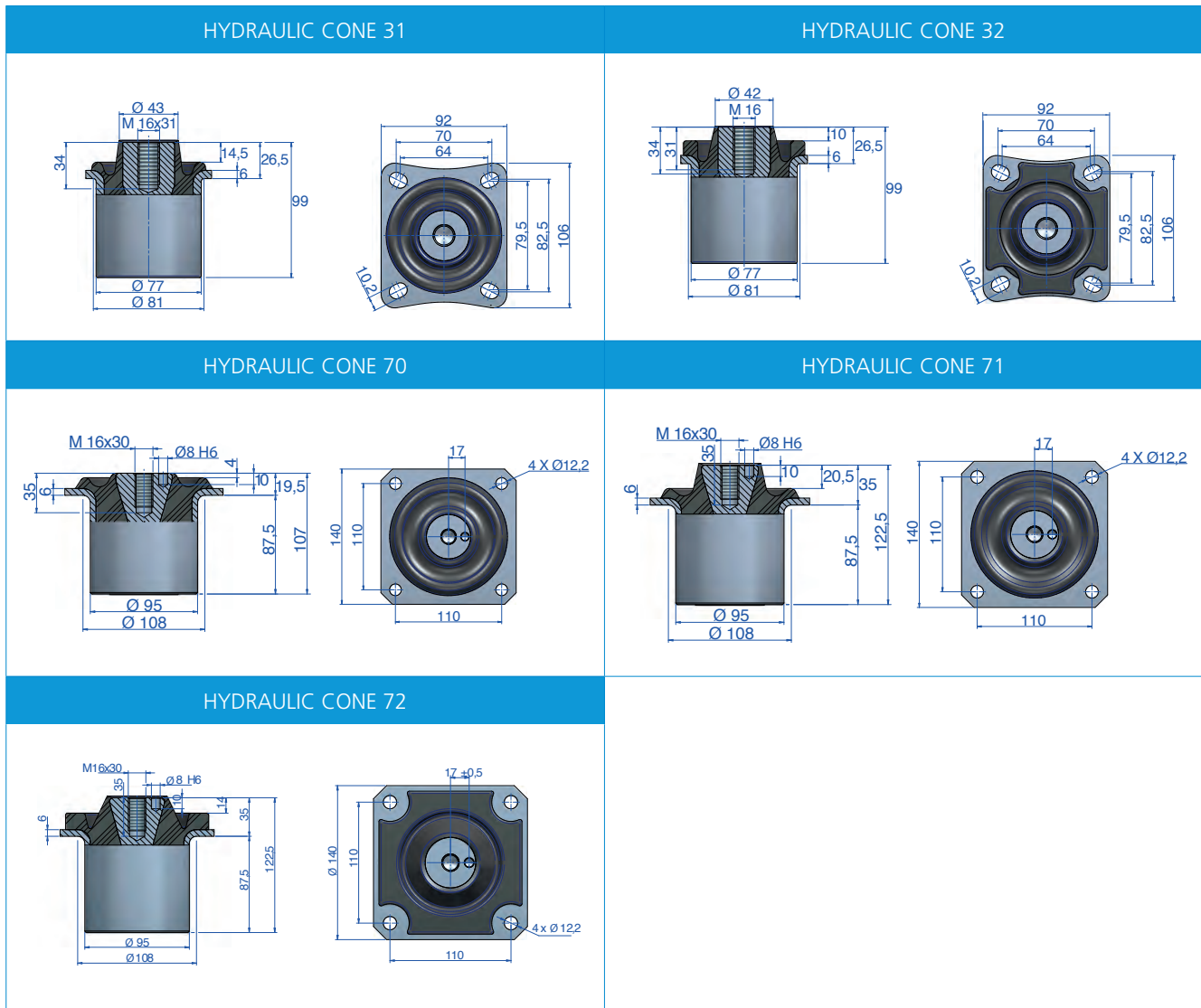
APPLICATIONS

The AMC MECANOCAUCHO® hydrocone is predominantly designed to insulate the vibration in engines and cabs in off-road vehicles (construction, agricultural and local authority vehicles).

The hydrocone has the necessary resilience to achieve a high level of decoupling. However, it also has the necessary stability for these applications in the event of impacts which thus prevents the vehicles from rocking. This ensures a high level of comfort as well as an immediate working and driving experience.

Another advantage becomes apparent with variable speed applications which are within the resonance frequency range in normal operation. This resonance is significantly reduced with the hydrocone.





Type	A (mm.)	B (mm.)	C (mm.)	D (mm.)	E (mm.)	F (mm.)	H (mm.)	I (mm.)	J (mm.)	K (mm.)	L (mm.)	N (mm.)	O (mm.)	Code	Load (kg)	Shore
HYDRAULIC CONE MOUNTS 31	M16	79,5	70	82,5	64	81	72,5	77	10,2	25	6	-	-	177081	250	40 Sh
														177085	310	45 Sh
														177082	370	50 Sh
														177083	500	60 Sh
														177084	550	70 Sh
HYDRAULIC CONE MOUNTS 32	M16	79,5	70	82,5	64	81	72,5	77	10,2	26,5	6	10	-	177104	250	40 Sh
														177105	370	50 Sh
														177106	500	60 Sh
														177107	550	70 Sh
														177051	300	40 Sh
HYDRAULIC CONE MOUNTS 70	M16	110	140	140	110	108	104,5	95	12,2	19,5	6	4	-	177052	500	50 Sh
														177053	700	60 Sh
														177054	900	70 Sh
														177055	400	40 Sh
														177056	600	50 Sh
HYDRAULIC CONE MOUNTS 71	M16	110	140	140	110	108	120	95	12,2	35	6	19	8	177057	900	60 Sh
														177058	1000	70 Sh
														177294	400	40 Sh
														177295	600	50 Sh
														177296	900	60 Sh
HYDRAULIC CONE MOUNTS 72	M16	110	140	140	110	108	120	95	12,2	35	6	14	8	177297	1000	70 Sh

Washers should be used, if the rubber surface is not covered with the contact surface.
Washers upon request.

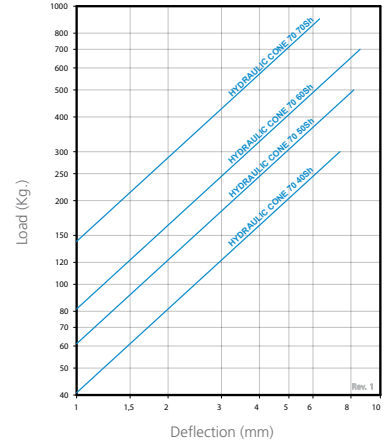
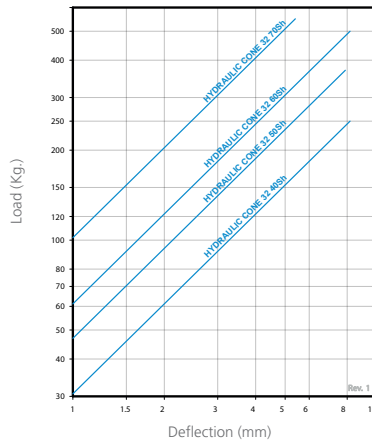
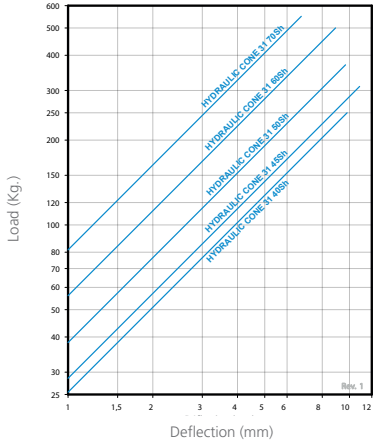
Type	\varnothing_{ext} (mm)	\varnothing_{int} (mm)	Thickness (mm)	Code
HYDRAULIC CONE MOUNTS 31	80	16,5	5	606488
HYDRAULIC CONE MOUNTS 32	96	16,5	5	610147
HYDRAULIC CONE MOUNTS 70	110	16,5	5	610296
HYDRAULIC CONE MOUNTS 71	110	16,5	5	610296
HYDRAULIC CONE MOUNTS 72	130	16,5	5	610305

HYDRAULIC CONES 31

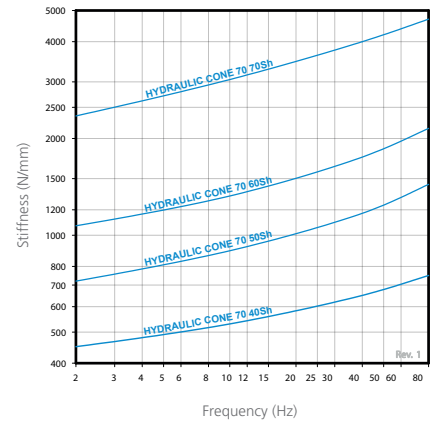
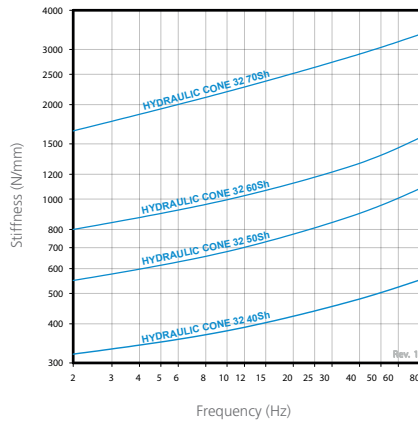
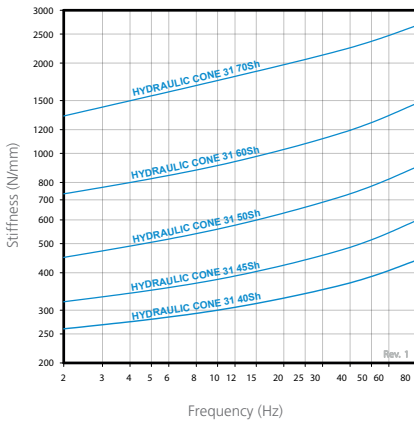
HYDRAULIC CONES 32

HYDRAULIC CONES 70

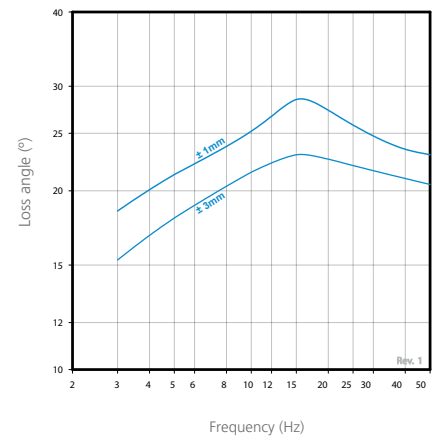
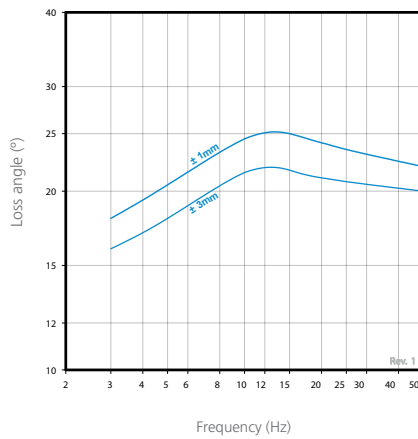
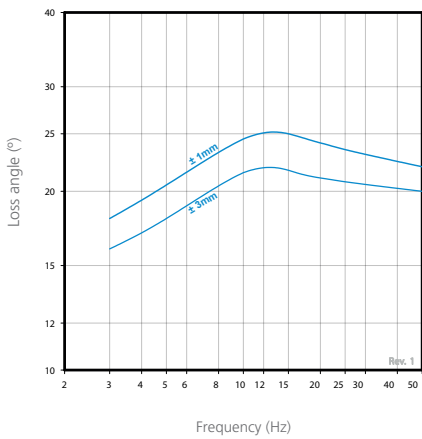
LOAD DEFLECTION



DYNAMIC STIFFNESS

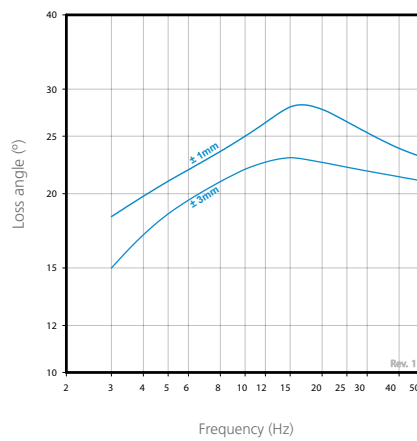
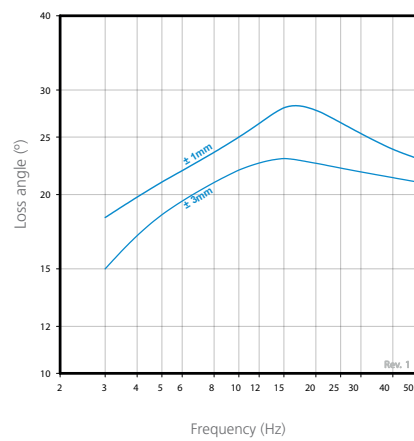
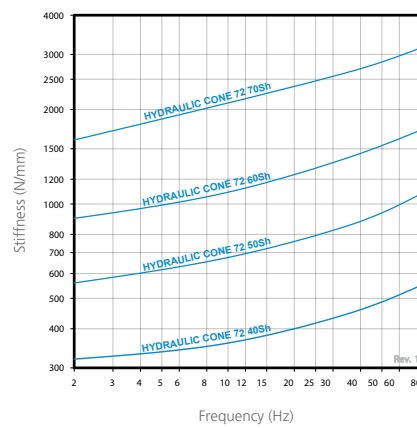
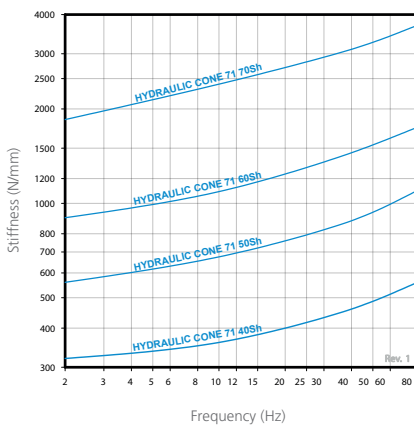
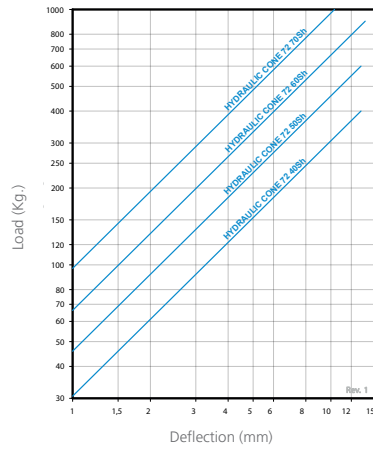
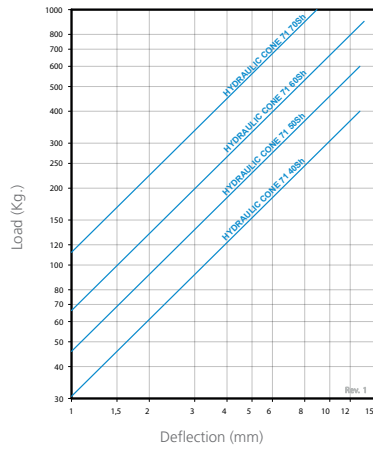


DAMPING COEFFICIENT



HYDRAULIC CONES 71

HYDRAULIC CONES 72



CONES

DESCRIPTION

The AMC MECANOCAUCHO® cones work the rubber in shear compression. They are composed of two parallel conical metal parts. They have two washers, one as a buffer and the other for centering.

TECHNICAL CHARACTERISTICS

- The AMC MECANOCAUCHO® Cone mounts are safe and stable elements. They do not allow the suspended elements to tilt, while being flexible enough to avoid the transmission of noise and vibration through the structure.
- They are supplied with stop and centering washers. This renders deflection above the limits of the Mecanocaucho® Cones impossible, even at extreme loads.
- The washers protect the natural rubber (which is highly elastic and highly resistant) from ozone and aging, as well as from metal knocks and dripping oil. The characteristic deflection curves of the AMC MECANOCAUCHO® Cone mounts with centering washer are quite linear, increasing progressively as the load increases. Thanks to this they can safely dampen overloads of up to three times the maximum admissible load.

APPLICATIONS

The AMC MECANOCAUCHO® cones have been designed to use them in engines and auxiliary machinery for static applications and for applications in all type of vehicles. Also used for cabs. You can contact our technical department.

CONICAL MOUNTS WITH CUTOUTS

The cutouts on the rubber section offer different horizontal/vertical stiffness ratios. This feature is specially interesting for those applications where a lower stiffness is required in one of the axes.

Our technical department can provide you the elastical constants and can recommend you the optimal position of the cutouts.



CONE WITH CUTOUTS

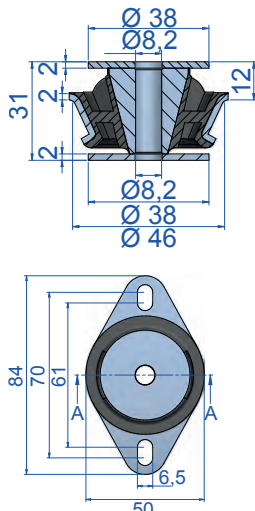
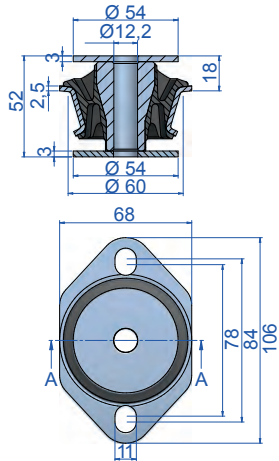
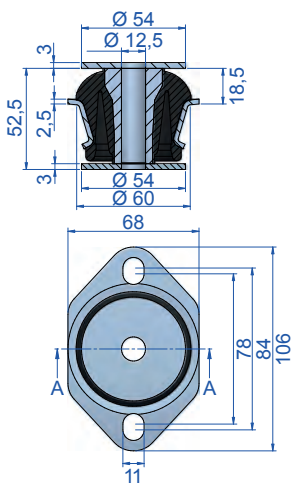
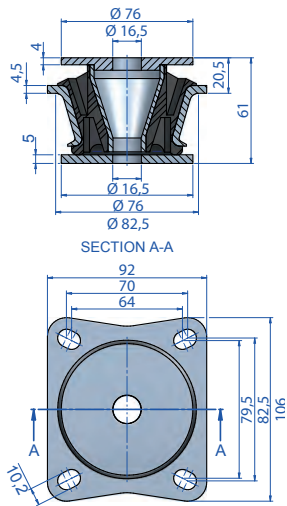
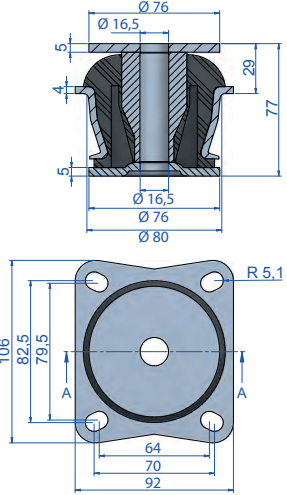
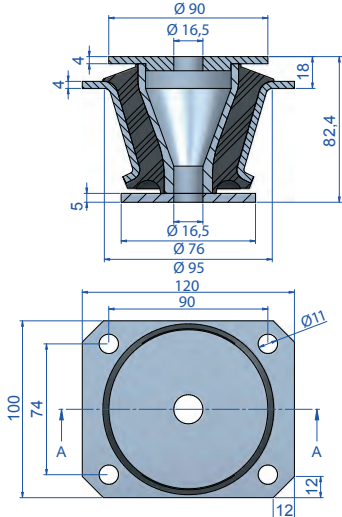
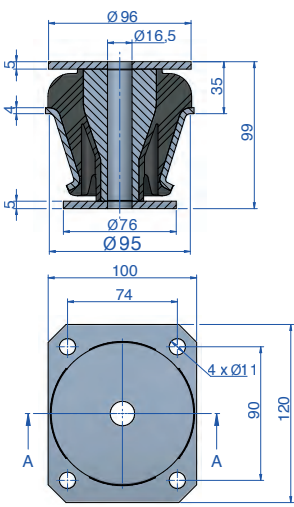
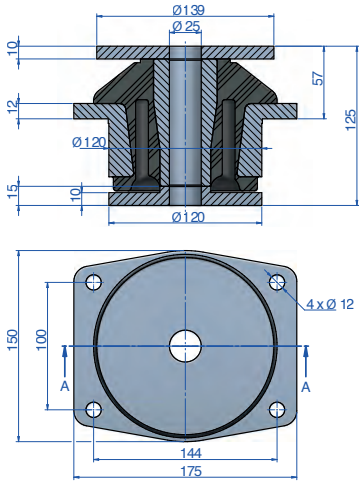
Type	Weight (gr.)	Code	Load (kg)	Shore
00	126	137007	25	45 Sh
		137008	50	60 Sh
		137009	75	70 Sh
10	406	137001	75	45 Sh
		137002	140	60 Sh
		137003	210	70 Sh
12	407	137914	80	45 Sh
		137916	120	55 Sh
		137918	200	70 Sh
20	554	137031	120	45 Sh
		137034	200	60 Sh
		137039	330	70 Sh
30	1167	137041	140	40 Sh
		137043	190	50 Sh
		137042	300	60 Sh
		137044	370	70 Sh
35	1328	137065	200	45 Sh
		137067	450	60 Sh
		137068	760	70 Sh
38	1438	137961	300	40 Sh
		137962	400	50 Sh
		137963	650	60 Sh
120 NP	6890	137871	440	45 Sh
		137872	720	55 Sh

SOLID CONE

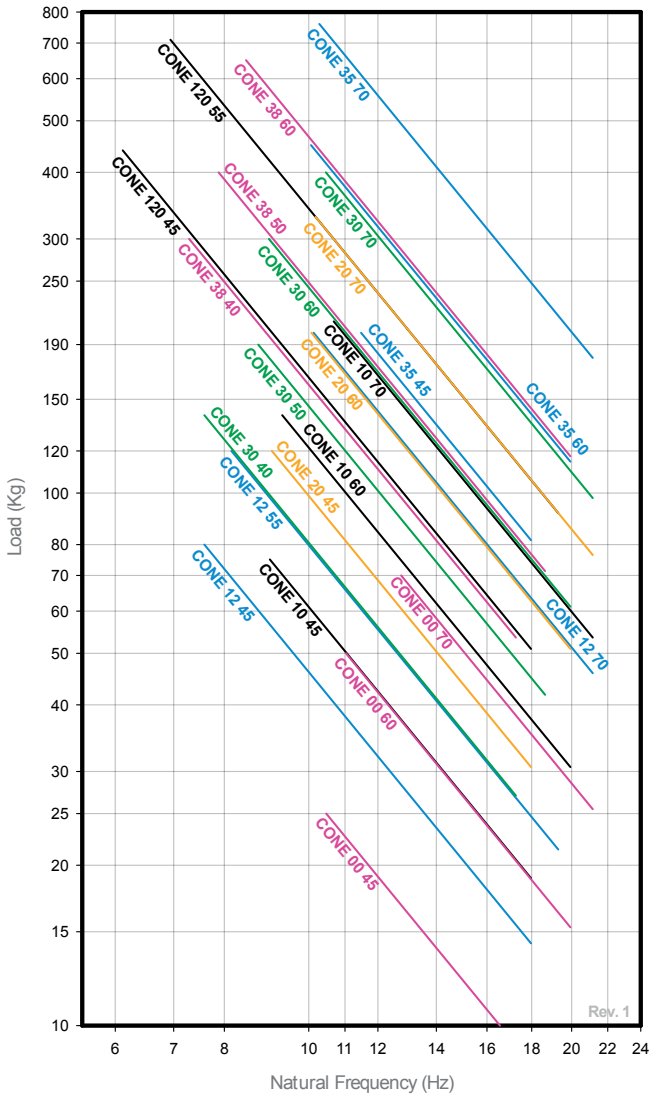


CONE WITH CUTOUTS

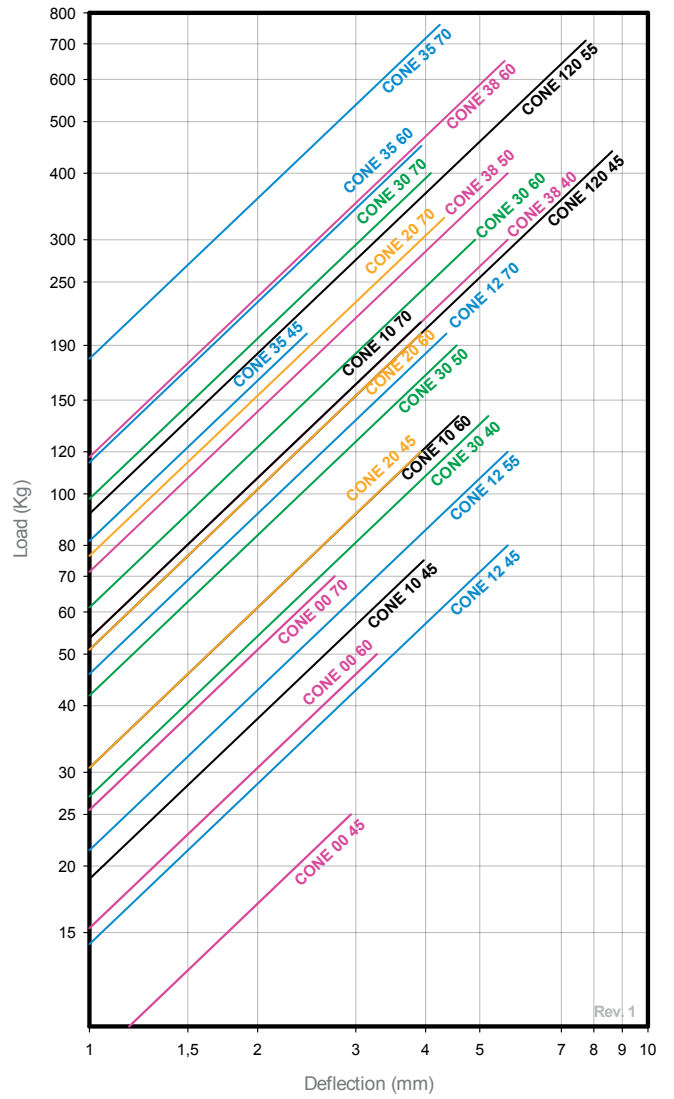


CONE TYPE 00	CONE TYPE 10	CONE TYPE 12
 <p>Top Washer Cone 00 code 610053 Lower Washer Cone 00 code 610053</p>	 <p>Top Washer Cone 10 code 611068 Lower Washer Cone 10 code 611068</p>	 <p>Top Washer Cone 12 code 611068 Lower Washer Cone 12 code 611068</p>
CONE TYPE 20	CONE TYPE 30	CONE TYPE 35
 <p>SECTION A-A</p> <p>Top Washer Cone 20 code 610049 Lower Washer Cone 20 code 610050</p>	 <p>Top Washer Cone 30 code 608074 Lower Washer Cone 30 code 608125</p>	 <p>Top Washer Cone 35 code 608082 Lower Washer Cone 35 code 608097</p>
CONE TYPE 38	CONE TYPE 120 NP	
 <p>Top Washer Cone 38 code 610147 Lower Washer Cone 38 code 608074</p>	 <p>Top Washer Cone 120 code 606378 Lower Washer Cone 120 code 606379</p>	

NATURAL FREQUENCY
AMC MECANOCAUCHO® CONE WITH CUTOUTS



LOAD DEFLECTION GRAPH
AMC MECANOCAUCHO® CONE WITH CUTOUTS





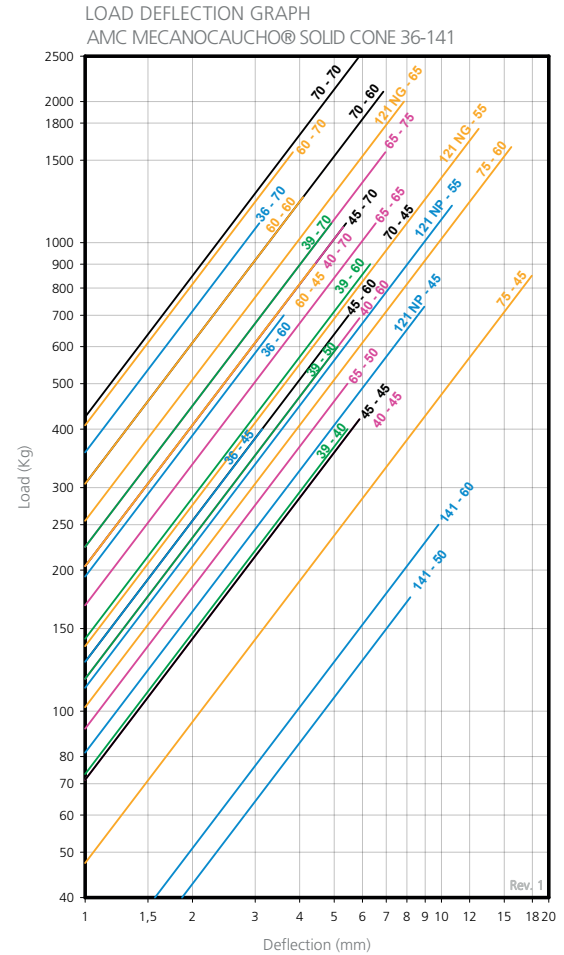
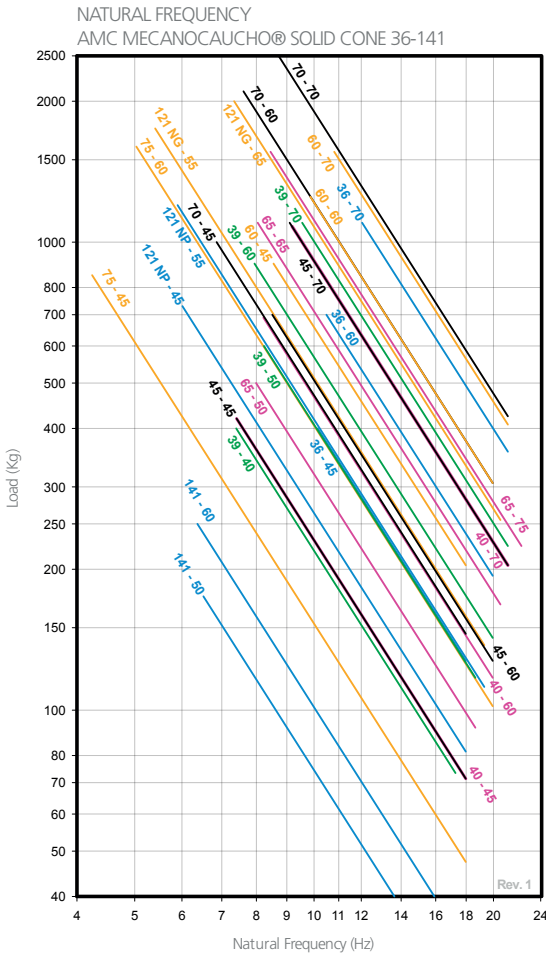
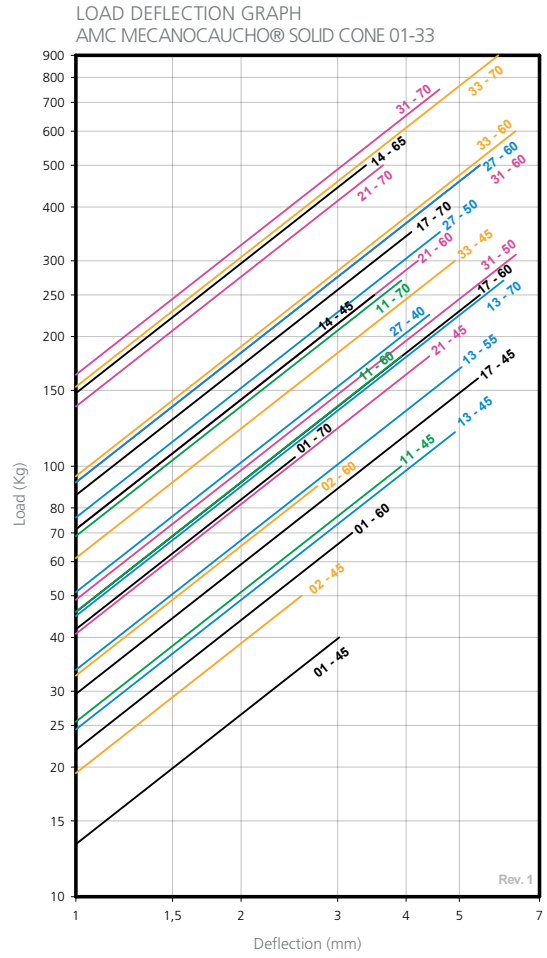
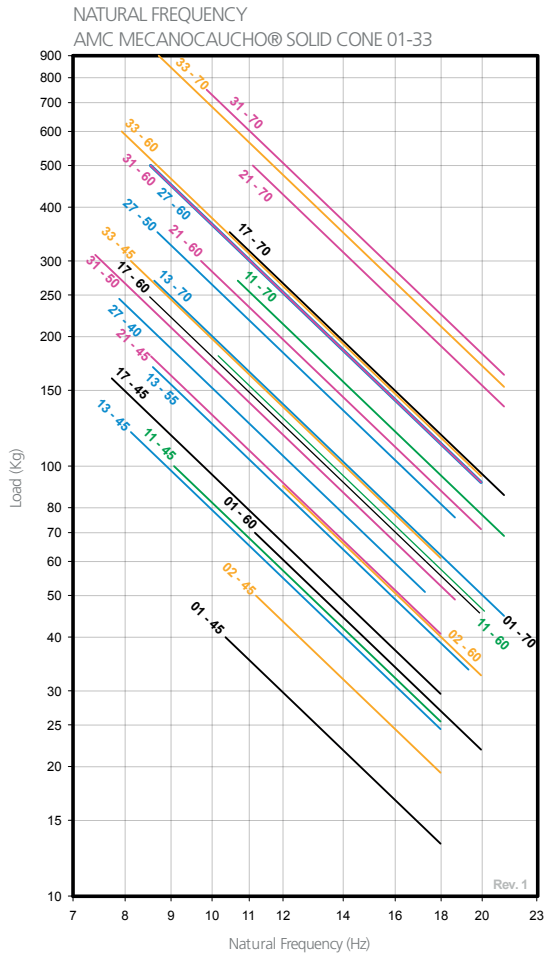
SOLID CONE

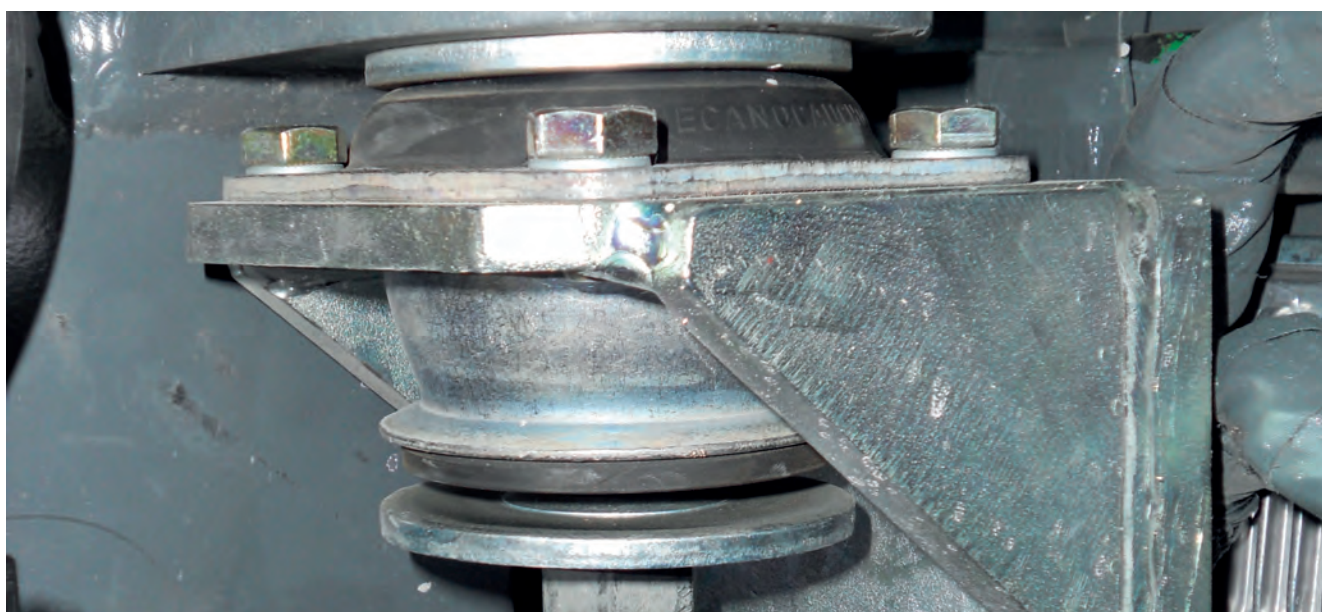
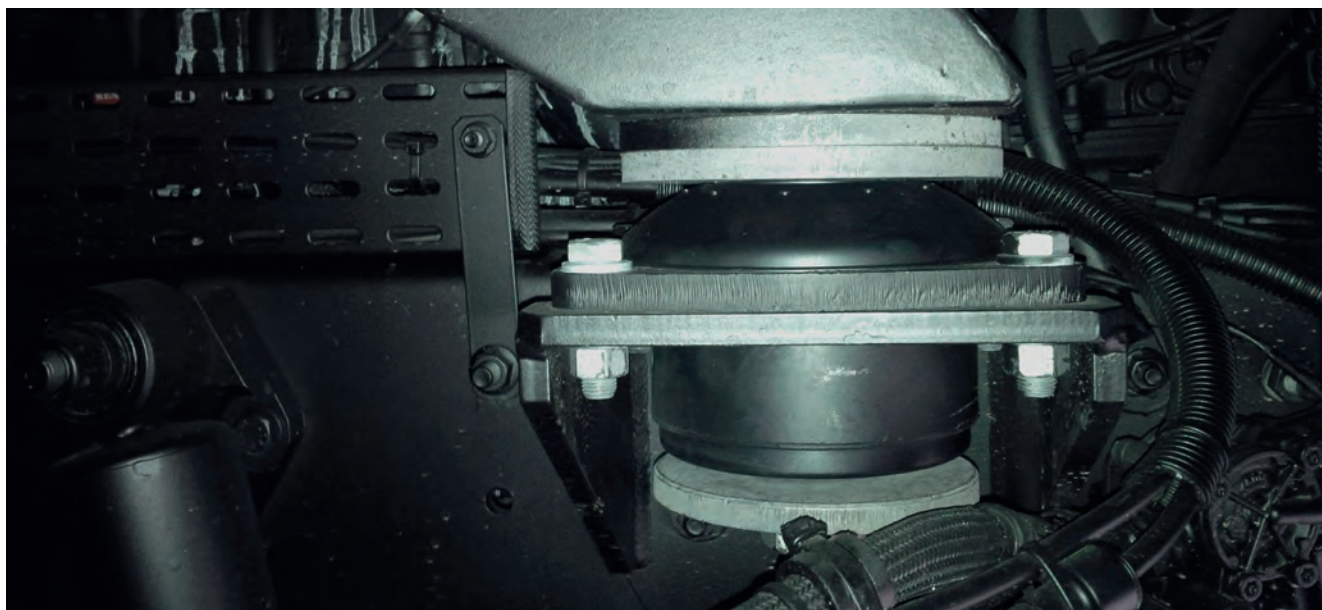
Type	Weight (gr.)	Code	Load (kg)	Shore
01	128	137005	40	45 Sh
		137006	70	60 Sh
		137015	105	70 Sh
02	132	137010	50	45 Sh
		137011	90	60 Sh
11	409	137021	100	45 Sh
		137022	180	60 Sh
		137023	270	70 Sh
13	450	137921	120	45 Sh
		137922	170	55 Sh
		137925	270	70 Sh
14 - 2 holes	643	137930	250	45 Sh
		137628	500	65 Sh
14 - 4 holes	662	137935	250	45 Sh
		137936	450	60 Sh
		137937	690	70 Sh
17	410	137903	160	45 Sh
		137904	250	60 Sh
		137905	350	70 Sh
21	560	137071	180	45 Sh
		137074	300	60 Sh
		137079	500	70 Sh
27	1175	137142	245	40 Sh
		137143	350	50 Sh
		137144	500	60 Sh
31	1188	137063	310	50 Sh
		137061	500	60 Sh
		137062	750	70 Sh
33	1462	137075	300	45 Sh
		137077	600	60 Sh
		137078	900	70 Sh
36	1410	137171	400	45 Sh
		137172	700	60 Sh
		137173	1100	70 Sh
39	1438	137981	400	40 Sh
		137982	600	50 Sh
		137983	900	60 Sh
		137984	1100	70 Sh
40	1216	137081	420	45 Sh
		137082	690	60 Sh
		137083	1080	70 Sh
45	1751	137595	420	45 Sh
		137596	700	60 Sh
		137597	1100	70 Sh
60	1821	137091	900	45 Sh
		137092	1250	60 Sh
		137093	1560	70 Sh
65	2965	137176	500	50 Sh
		137177	1100	65 Sh
		137178	1560	75 Sh
70	3450	137101	1000	45 Sh
		137102	2100	60 Sh
		137103	2500	70 Sh
75	4230	137786	850	45 Sh
		137787	1600	60 Sh
121 NG	7840	137830	1750	55 Sh
		137833	2000	65 Sh
121 NP	6940	137841	730	45 Sh
		137829	1200	55 Sh
141	1039	137891	175	50 Sh
		137893	250	60 Sh



CONE TYPE 01	CONE TYPE 02	CONE TYPE 11	
<p>Top Washer Cone 01 code 610053 Lower Washer Cone 01 code 610053</p>	<p>Top Washer Cone 02 code 610064 Lower Washer Cone 02 code 610064</p>	<p>Top Washer Cone 11 code 611080 Lower Washer Cone 11 code 611080</p>	
CONE TYPE 13	CONE TYPE 14-2 holes	CONE TYPE 14-4 holes	
<p>Top Washer Cone 13 code 611080 Lower Washer Cone 13 code 611080</p>	<p>Top Washer Cone 14-2 code 611080 Lower Washer Cone 14-2 code 611080</p>	<p>Top Washer Cone 14-4 code 611080 Lower Washer Cone 14-4 code 611080</p>	
CONE TYPE 17	CONE TYPE 21	CONE TYPE 27	CONE TYPE 31
<p>Top Washer Cone 17 code 606643 Lower Washer Cone 17 code 611080</p>	<p>Top Washer Cone 21 code 606285 Lower Washer Cone 21 code 608074</p>	<p>Top Washer Cone 27 code 606285 Lower Washer Cone 27 code 608125</p>	<p>Top Washer Cone 31 code 608074 Lower Washer Cone 31 code 608125</p>

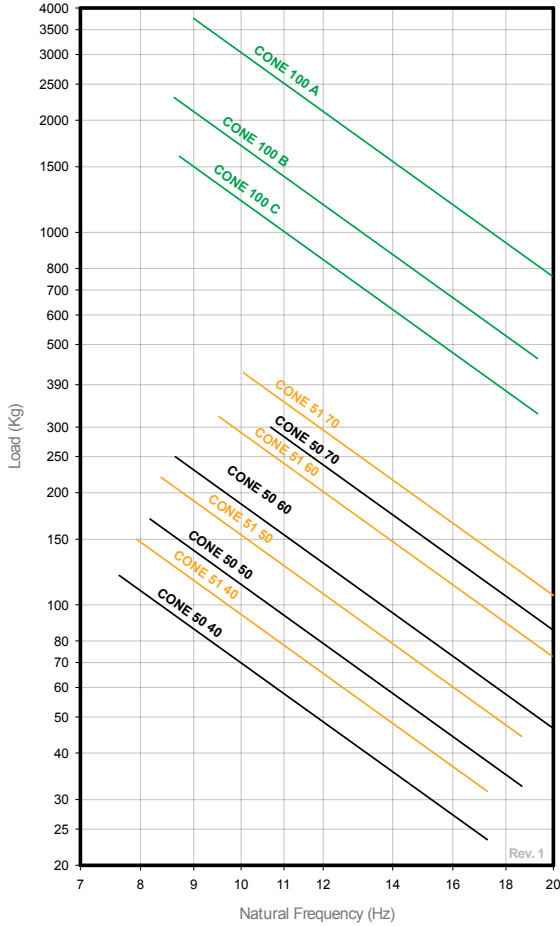
CONE TYPE 33	CONE TYPE 36	CONE TYPE 39	CONE TYPE 40
<p>Top Washer Cone 33 code 608074 Lower Washer Cone 33 code 608125</p>	<p>Top Washer Cone 36 code 608082 Lower Washer Cone 36 code 608074</p>	<p>Top Washer Cone 39 code 610147 Lower Washer Cone 39 code 608074</p>	<p>Top Washer Cone 40 code 610027 Lower Washer Cone 40 code 608267</p>
CONE TYPE 45	CONE TYPE 60	CONE TYPE 65	CONE TYPE 70
<p>Top washer, originally riveted Lower Washer Cone 45 code 606545</p>	<p>Top Washer Cone 60 code 610032 Lower Washer Cone 60 code 610033</p>	<p>Top Washer Cone 65 code 608144 Lower Washer Cone 65 code 608072</p>	<p>Top Washer Cone 70 code 608033 Lower Washer Cone 70 code 606145</p>
CONE TYPE 75	CONE TYPE 121 NG	CONE TYPE 121 NP	CONE TYPE 141
<p>Top Washer Cone 75 code 608332 Lower Washer Cone 75 code 606619</p>	<p>Top Washer Cone 121 code 606378 Lower Washer Cone 121 code 606379</p>	<p>Top Washer Cone 121 code 606378 Lower Washer Cone 121 code 606379</p>	<p>Top Washer Cone 141 code 610285 Lower Washer Cone 141 code 606766</p>



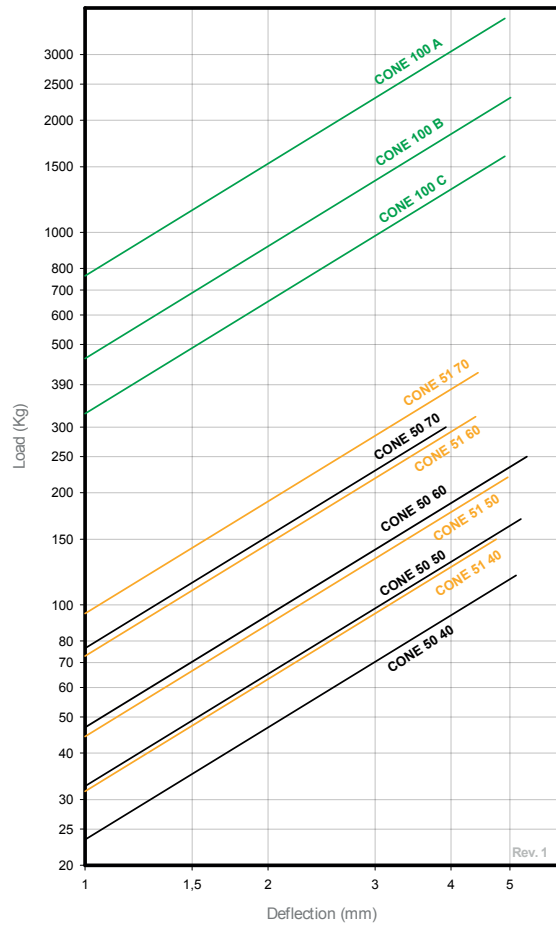


Installation examples.

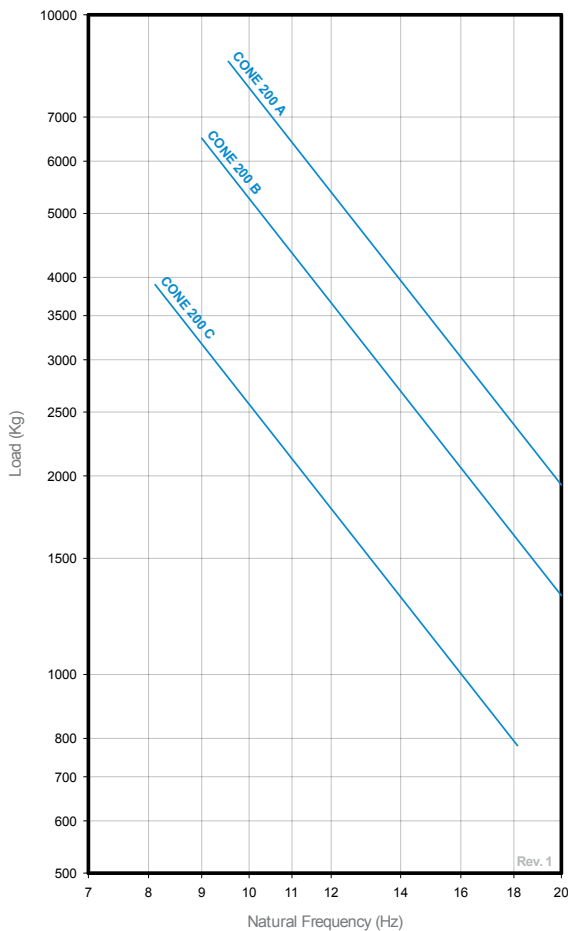
NATURAL FREQUENCY - AMC MECANOCAUCHO®
CONE WITH FIXATION FLANGE



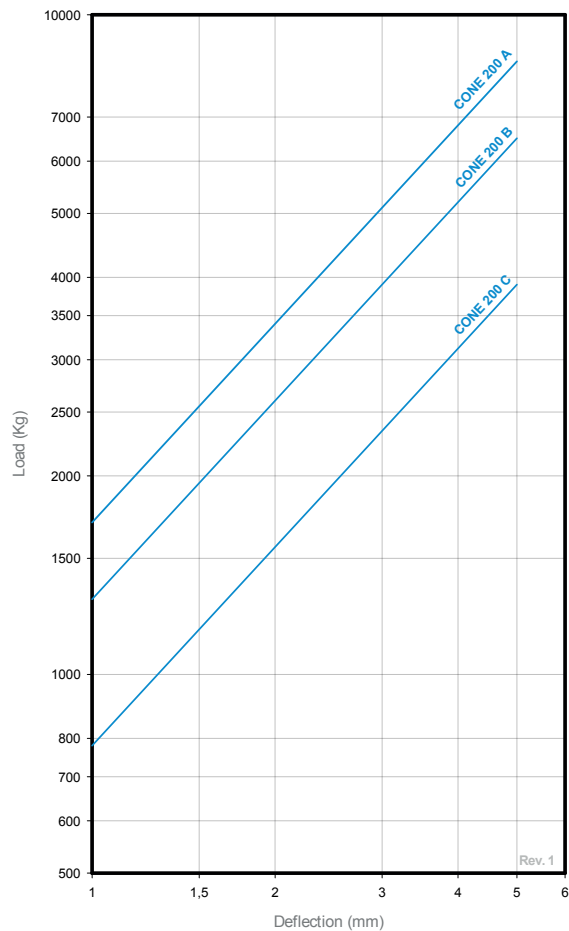
LOAD DEFLECTION GRAPH - AMC MECANOCAUCHO®
CONES WITH FIXATION FLANGE



NATURAL FREQUENCY - AMC MECANOCAUCHO®
CONE 200 WITH FIXATION FLANGE



LOAD DEFLECTION GRAPH - AMC MECANOCAUCHO®
CONE 200 WITH FIXATION FLANGE



CABIN MOUNT

DESCRIPTION

The AMC MECANOCAUCHO® cabin mount is composed of two main metal parts. Both metal parts are bonded to a high resilient rubber for optimum vibration isolation.

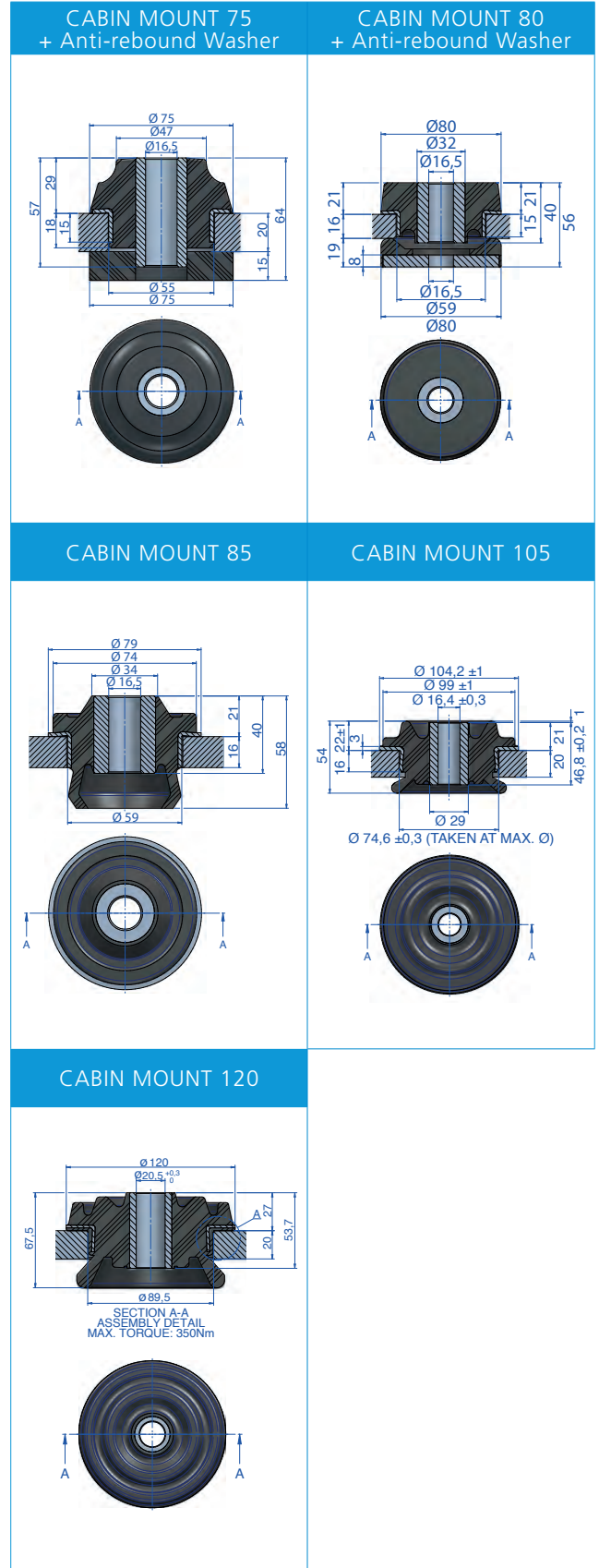
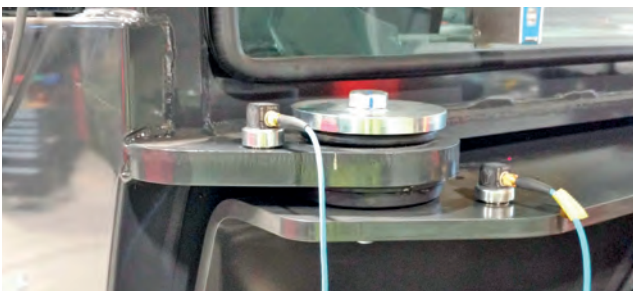
TECHNICAL CHARACTERISTICS

- This mount incorporates two bump shaped profiles in order to absorb dynamic loads or shocks. This feature is specially interesting for restricting the motion of the cabin under transient shocks.
- The metal parts are corrosion protected to cope with arduous environments on land or marine applications. RoHS compliant.
- The AMC MECANOCAUCHO® cabin mount can be manufactured in other different rubber compounds in order to be suitable for different weight of cabins.
- Our technical department can give the correct recommendation in order to overpass ROPS tests on construction equipment machinery.

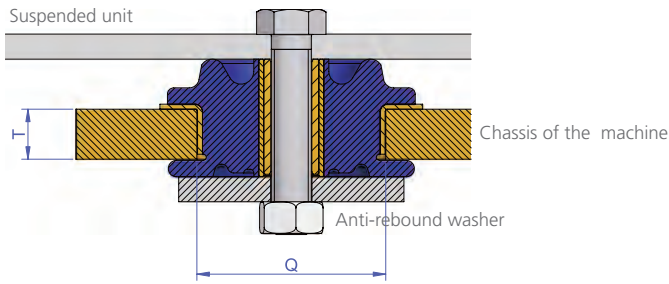
APPLICATIONS

For the effective isolation of vibration and noise on cabins for the following purposes:

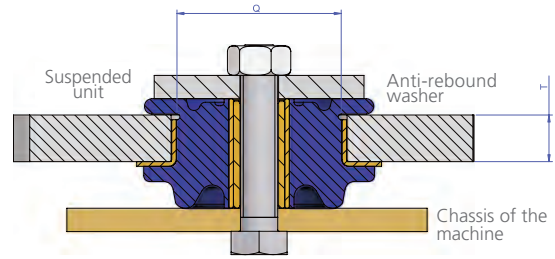
- Agricultural Tractors.
- Construction equipment machinery
- Off road vehicles.



- Assembly 1



- Assembly 2



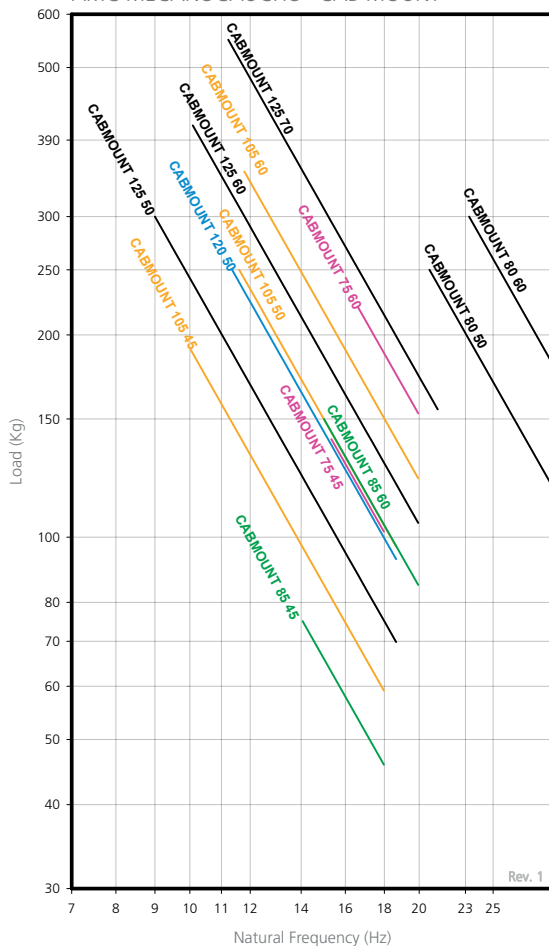
Type	Q (mm)	T (mm)	Weight (gr.)	Load (kg)	Ø	Shore	Code
Cabin Mount 75	55,5	20	328	140	16	45 Sh	137371
				220	16	60 Sh	137372
				140	20	45 Sh	137373
				220	20	60 Sh	137374
Cabin Mount 80	60	16	616	200	16	50 Sh	137353
				300	16	60 Sh	137354
				200	20	50 Sh	137351
				300	20	60 Sh	137352
Cabin Mount 85	60	16	300	75	16	45 Sh	137322
				150	16	60 Sh	137323
				75	20	45 Sh	137313
				150	20	60 Sh	137311
Cabin Mount 105	75	20	600	190	16	45 Sh	137301
				250	16	50 Sh	137318
				350	16	60 Sh	137315
				190	20	45 Sh	137302
				250	20	50 Sh	137320
Cabin Mount 120	89	20	660	250	20	60 Sh	137319
				250	20	50Sh	137392

Type	Ø	Weight (gr.)	Øext (mm)	Øint (mm)	Thickness (mm)	Code
Cabin Mount 75 washer	16	175	76	16,5	5	608074
	20	175	76	20,5	5	610027
Cabin Mount 80 washer	16	237	90	18	5	606482
	20	237	90	20,5	5	606486
Cabin Mount 85 washer	16	237	90	18	5	606482
	20	237	90	20,5	5	606486
Cabin Mount 105 washer	16	325	110	16,5	5	611167
	20	325	110	20,5	5	606487
Cabin Mount 120 washer	20	430	120	20,5	5	610255

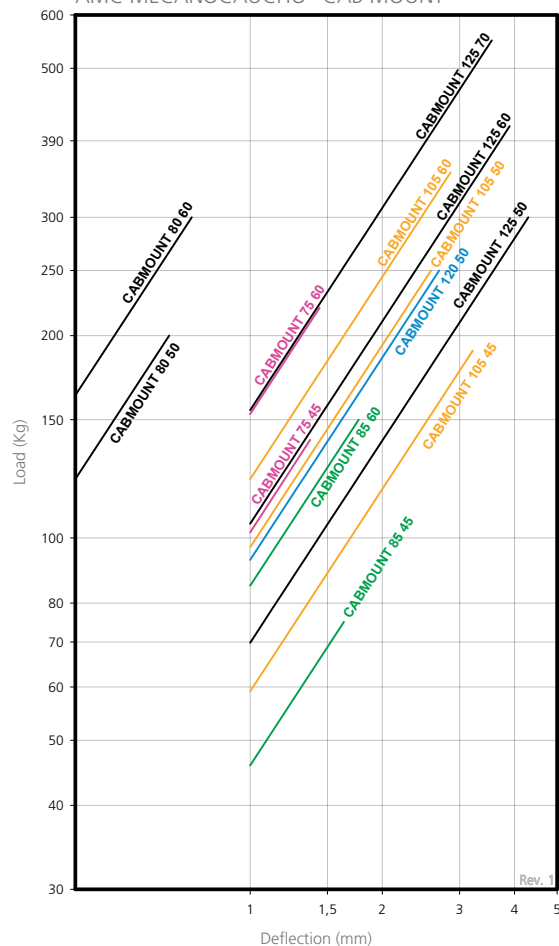
ANTI-REBOUND WASHER

This washer is mandatory to be a Fail-Safe System. The thickness of the washer depends on the application. Please contact us, if you have any question. The Cab mounts 75 and 80 include an anti rebound washer.

NATURAL FREQUENCY GRAPHS
AMC MECANOCAUCHO® CAB MOUNT



LOAD DEFLECTION GRAPHS
AMC MECANOCAUCHO® CAB MOUNT



CB

DESCRIPTION

The AMC MECANOCAUCHO® type CB mounts are installed in pairs. Installation is simplified as both mounts fixed with one through bolt and a washers at each end.

The mount is provided with a built in wear plate that prevents the elastomeric element from coming in contact with sharp edges of support frames or structures that may cause friction in traditionally used semi bonded mounts. Therefore with these mounts there is no need to machine radii or chamfer holes.

The specific design of the mounts permits high dynamic loads whilst limiting the movement due to the multiple axial snubbing design.

TECHNICAL CHARACTERISTICS

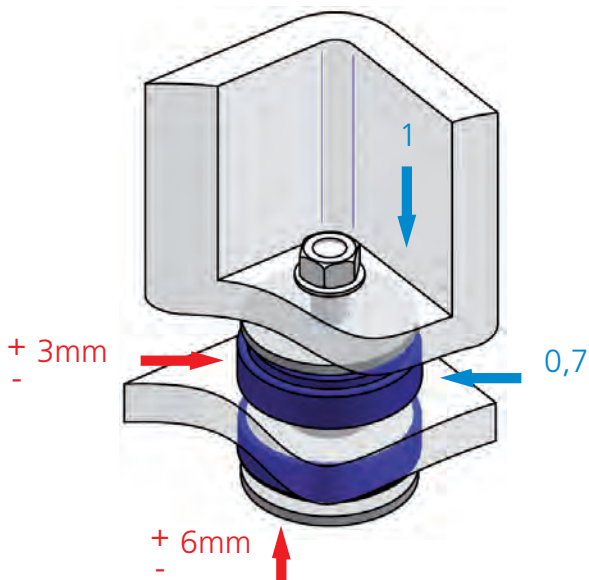
- The AMC MECANOCAUCHO® Type CB is radially 30% softer than axially. This feature is specially interesting for those machines or equipments where radial axis vibration isolation is important.
- The mount is provided with a built in snubbing system that allows the following elastical courses:
 - Vertical: +/- 6 mm
 - Horizontal: +/- 3mm
- The mount can be supplied in two different sizes and in different hardness compounds to accommodate applications from 30 to 550 Kg per mount.
- Metal parts are embedded in rubber in order to prevent corrosion.

APPLICATIONS

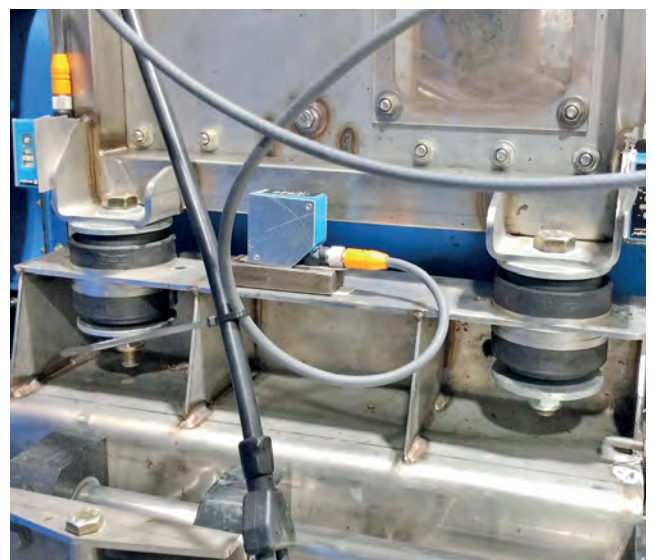
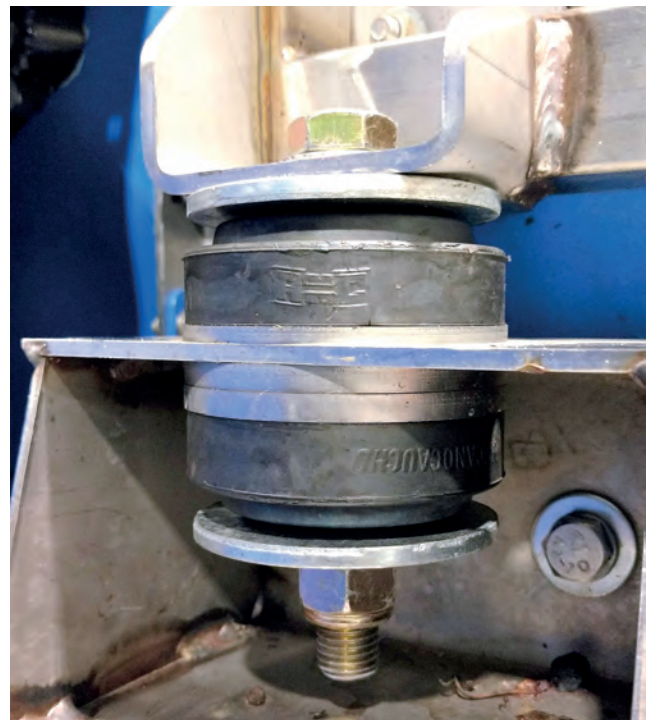
- Agricultural or construction equipment cabins, engines, radiators, transmission, battery boxes.
- Marine equipment
- Mobile Generators or compressors.
- Chassis frames for Military, Bus, Truck, Motorhome and Emergency vehicles.

Blue colour: Stiffness ratios per axis.

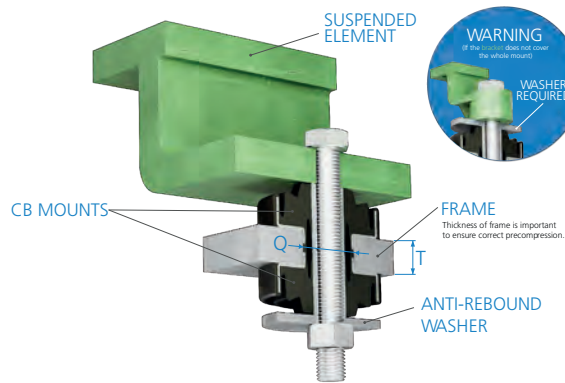
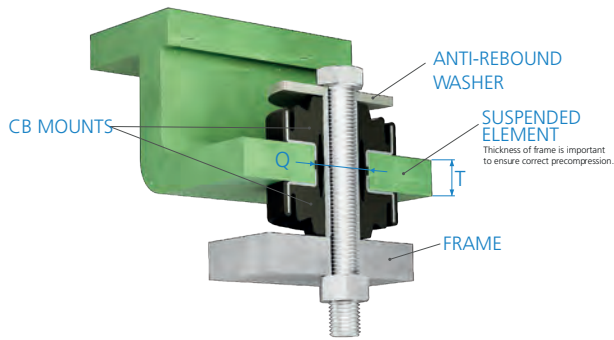
Red colour: Maximum elastical course per axis.



See drawings in detail



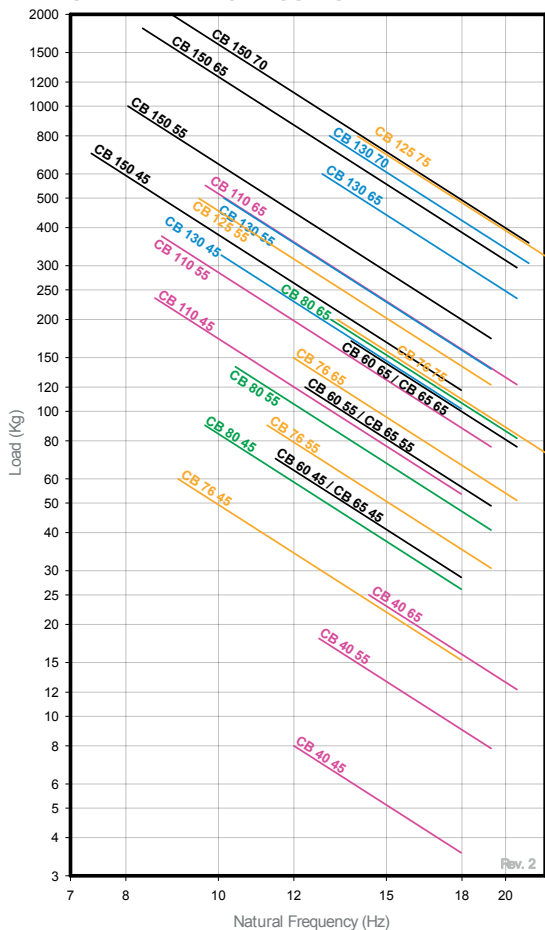
ANTI-VIBRATION MOUNTS



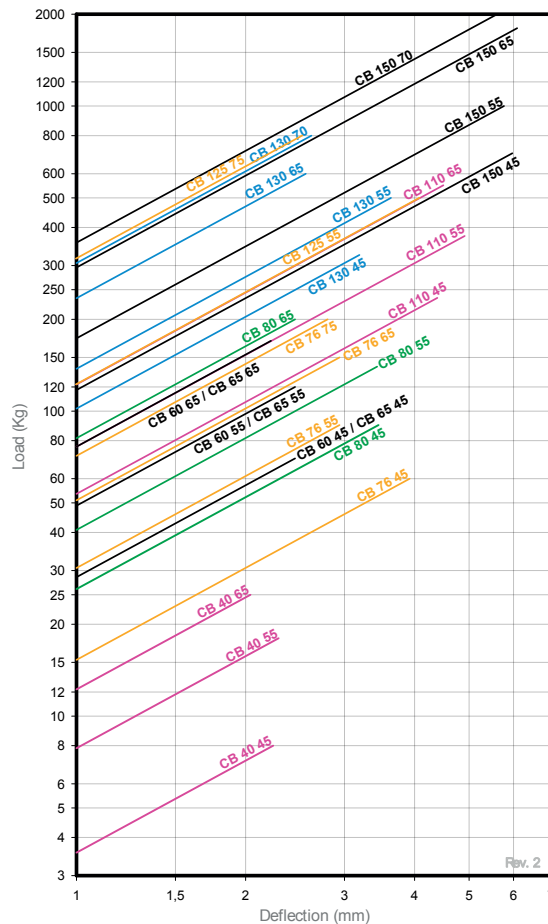
Type	Q (mm)	T Max. (mm)	T Min. (mm)	Weight (gr)	Bolt size (metric)	Bolt size (imperial)	Shore	Max. Load (kg)	Code
CB 40	26	5	5	30	M8	5/16"	45Sh	8	156070
							55Sh	18	156071
							65Sh	25	156072
CB 60	40	20	20	140	M16	5/8"	45 Sh	70	156011
							55 Sh	120	156013
							65 Sh	170	156014
CB 65	41	20	20	175	M18	11/16"	45 Sh	70	156031
							55 Sh	120	156032
							65 Sh	170	156033
CB 76	49	15	15	223	M16	5/8"	45 Sh	60	156053
							55 Sh	90	156054
							65 Sh	150	156055
CB 80	38	20	18	242	M16	5/8"	45 Sh	90	156001
							55 Sh	140	156002
							65 Sh	200	156003
CB 110	57	25	25	630	M22 M20	7/8" 3/4"	45 Sh	235	156021
							55 Sh	375	156022
							65 Sh	550	156023
CB 125	71	40	40	1000	M24	15/16"	45 Sh	500	156089
							55 Sh	800	156090
							75 Sh	800	156090
CB 130	71	40	40	1200	M30	1 1/8"	45 Sh	325	156026
							55 Sh	500	156027
							65 Sh	600	156028
CB 150	90	40	40	1783	M30	1 1/8"	45 Sh	700	156065
							55 Sh	1000	156066
							65 Sh	1800	156067
							70 Sh	2000	156068

Type	Weight (gr.)	Øext (mm)	Øint (mm)	Thickness (mm)	Code
CB 40 WASHER	16	38	8,5	2	610053
CB 60 WASHER	125	66	16,5	5	606130
CB 65 WASHER	141	67	18,5	5	706004
CB 76 WASHER	175	76	16,5	5	608074
CB 80 WASHER	175	76	16,5	5	608074
CB 110 WASHER	286	110	23	5	610192
CB 125 WASHER	1233	145	24.5	10	608529
CB 130 WASHER	1233	145	30.5	10	608278
CB 150 WASHER	1233	145	30.5	10	608278

NATURAL FREQUENCY AMC MECANOCAUCHO® CB ANTI VIBRATION MOUNTS



LOAD DEFLECTION GRAPH AMC MECANOCAUCHO® CB ANTI VIBRATION MOUNTS



* AMC S.A. reserves the right to modify the design and manufacture of the materials presented in this catalogue without prior notice.

SCH

DESCRIPTION

The AMC MECANOCAUCHO® SCH type mounts are made of two parts of rubber, one of which bears an inside metal bushing which acts as a guide through the machine anchoring screw.

It is installed pre-compressed on the actual machine frame, whose thickness "T" determines the degree of precompression.

TECHNICAL CHARACTERISTICS

This antivibration mount is ideal for applications of major dynamic loads where movement control is necessary, such as in the cabins of all types of mobile vehicles. It also offers optimal stability, as well as good attenuation of impacts and vibrations.

APPLICATIONS

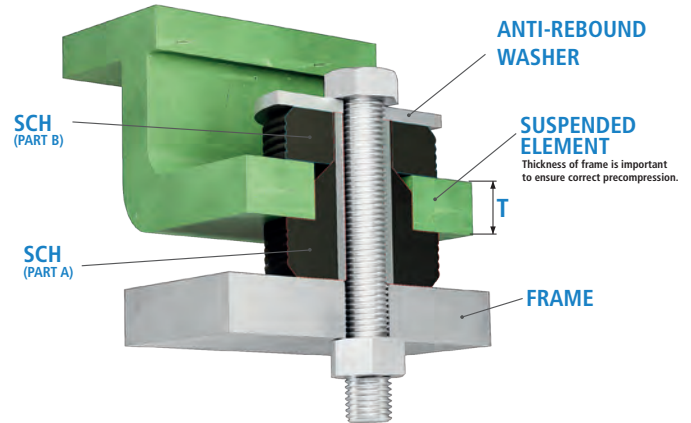
- Vehicle cabins.
- Public works and agricultural vehicles, etc.

ASSEMBLY INSTRUCTIONS

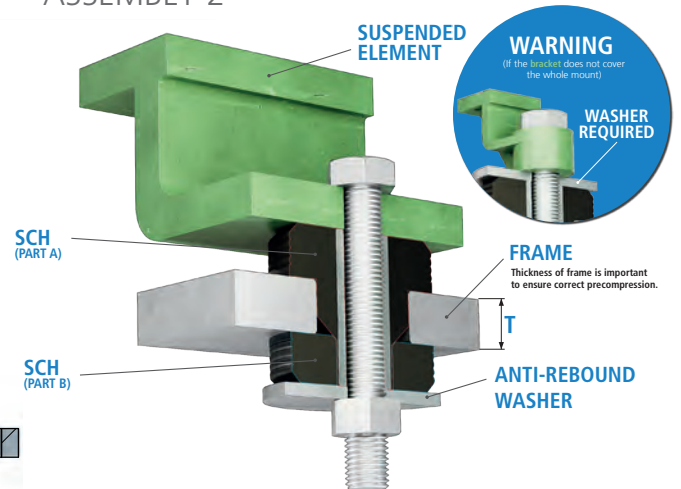
The SCH mounts should be assembled according to the following installation instructions. There are two possible configurations, see assembly 1 and assembly 2, for which the recommendations given in the following chart must be observed. They can be installed in plates of different thicknesses according to the Tmax and Tmin values given in the table at the bottom. The Load vs. Deformation curves will vary according to the thickness of the plate on which the mount is to be installed.



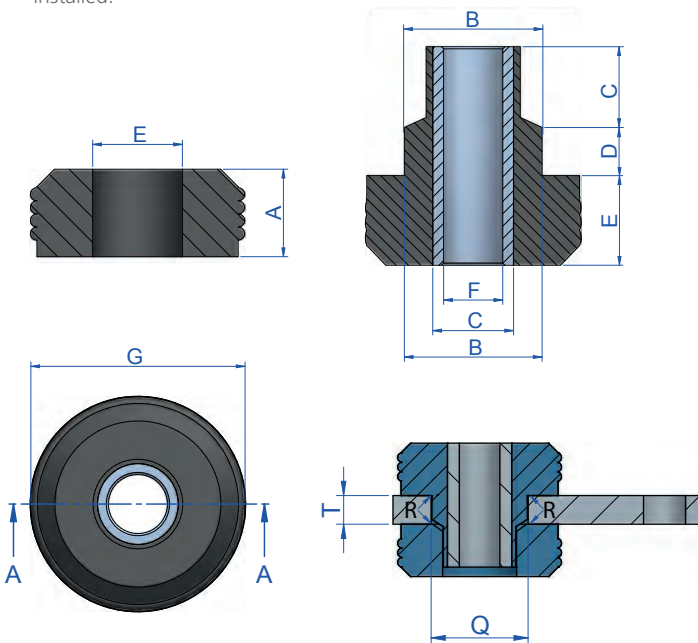
ASSEMBLY 1



ASSEMBLY 2



Washers should be used, if the rubber surface is not covered with the contact surface. Washers upon request.

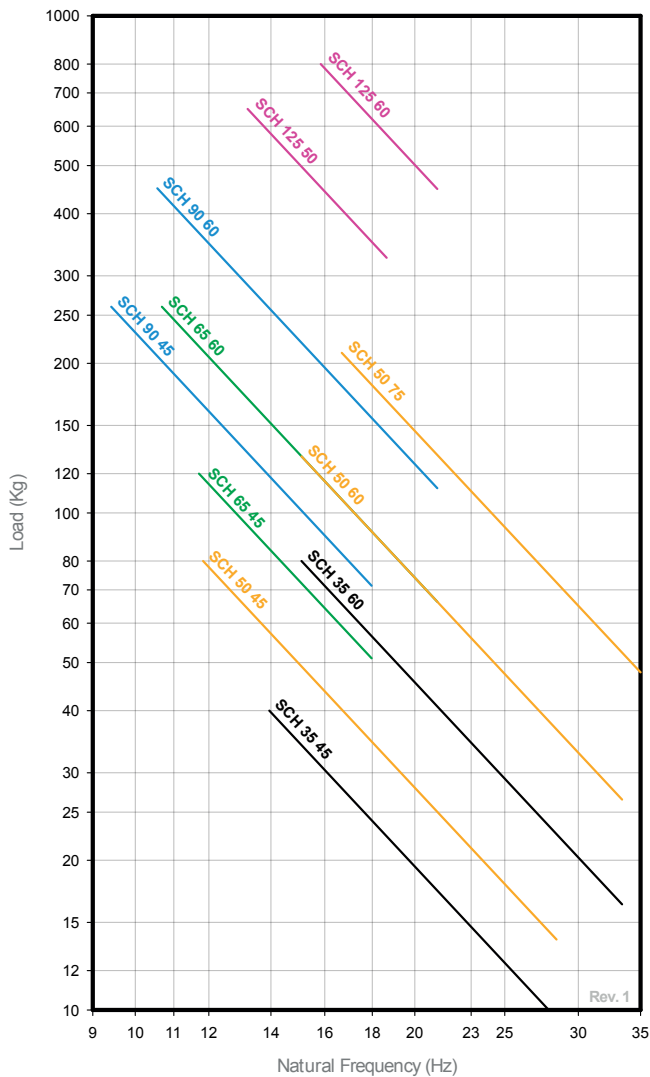


Type	A (mm.)	B (mm.)	C (mm.)	D (mm.)	E (mm.)	F (mm.)	G (mm.)	Q (mm.)	T (Max.)	T (Min.)	Weight (gr.)	R (mm)	Code	Shore	Max.
SCH 35	11	20,1	11	4	11	8,1	33,5	19,1	6	6	94	1	138677	45 Sh	40
													138678	60 Sh	80
													138501	45 Sh	80
SCH 50	20	31	19,5	10,5	20	13,5	49	30,5	14	12,5	153	1,5	138504	60 Sh	130
													138522	75 Sh	210
													138502	45 Sh	120
SCH 65	23	39,5	24	15	23	17	63,5	38,5	22	19	350	2,5	138503	45 Sh	260
													138505	60 Sh	450
SCH 90	25	58	31	17	25	23	88	57	29	25	675	3	138514	50 Sh	650
													138515	60 Sh	800
SCH 125	32	64,5	32	22	32	27	125,5	64	32	25	1440	3			

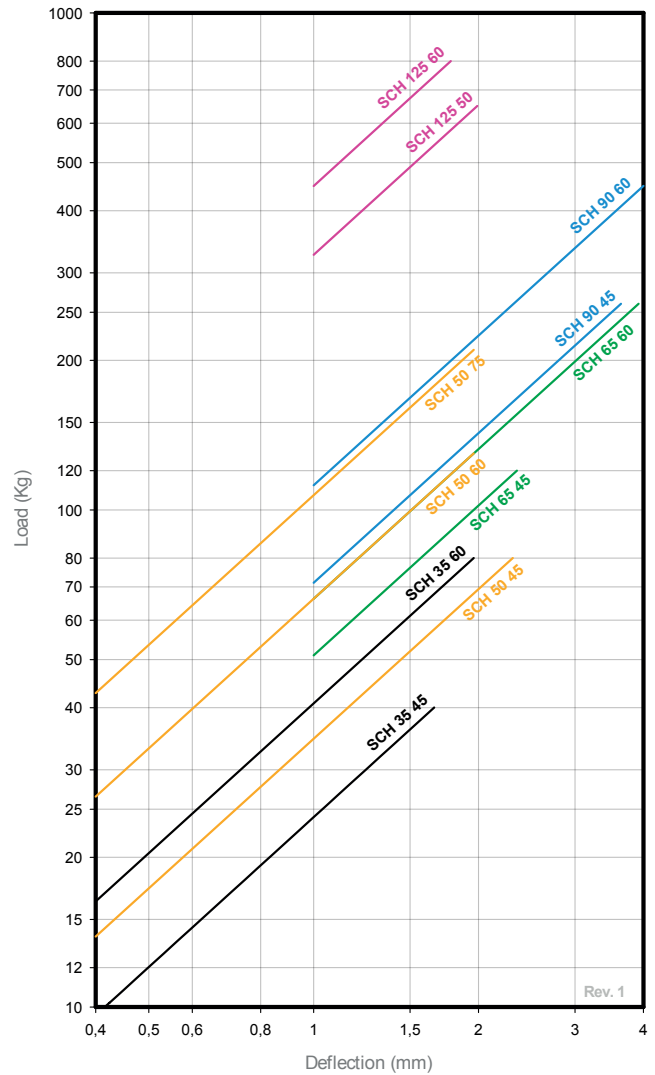
Type	Code	Øext (mm)	Øint (mm)	Thickness (mm)
SCH 35 WASHER	610053	38	8,5	2
SCH 50 WASHER	611080	54	12,5	3
SCH 65 WASHER	606130	67	16,5	5
SCH 90 WASHER	608101	95	22	6
SCH 125 WASHER	610123	125	25	8



NATURAL FREQUENCY AMC MECANOCAUCHO®
SCH ANTI VIBRATION MOUNTS



LOAD DEFLECTION GRAPH AMC MECANOCAUCHO®
SCH ANTI VIBRATION MOUNTS



SCHR

DESCRIPTION

The AMC MECANOCAUCHO® SCHR type mounts are made of two parts of rubber, one of which bears an inside metal bushing which acts as a guide through the machine anchoring screw. It is installed pre-compressed on the actual machine frame, whose thickness "T" determines the degree of precompression.

Moreover it contains a metallic part, that avoids a premature wear by friction between the rubber and the housing of the mount.

TECHNICAL CHARACTERISTICS

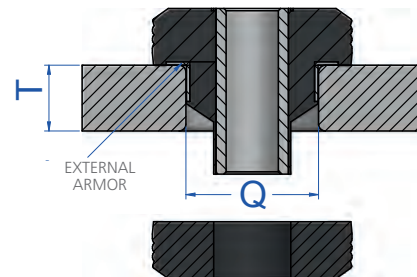
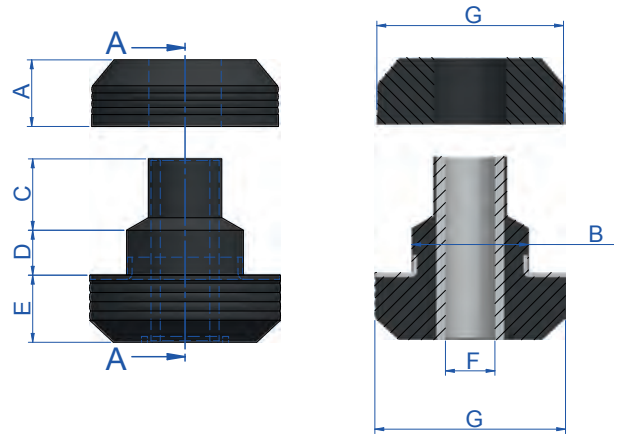
This antivibration mount is ideal for applications of major dynamic loads where movement control is necessary, such as in the cabins of all types of mobile vehicles. It also offers optimal stability, as well as good attenuation of impacts and vibrations.

APPLICATIONS

- Vehicle cabins
- Public works and agricultural vehicles, etc.

ASSEMBLY INSTRUCTIONS

The SCHR mounts should be assembled according to the following installation instructions. There are two possible configurations, see assembly 1 and assembly 2, for which the recommendations given in the following chart must be observed. They can be installed in plates of different thicknesses according to the Tmax and Tmin values given in the table at the bottom. The Load vs. Deformation curves will vary according to the thickness of the plate on which the mount is to be installed.

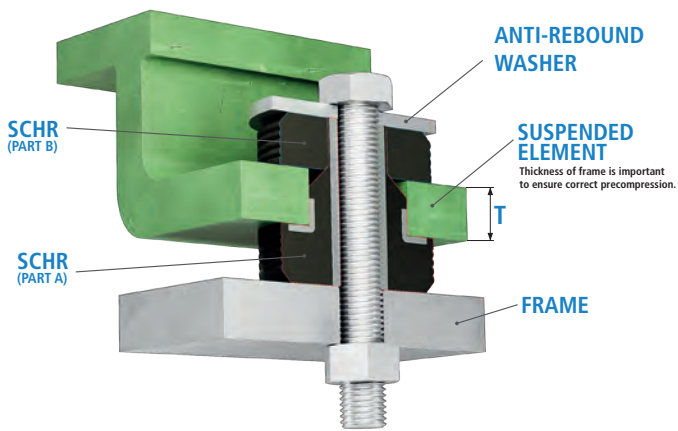


Type	A (mm)	B (mm)	C (mm)	D (mm)	E (mm)	F (mm)	G (mm)	Q (mm)	T (Max.)	T (Min.)	Weight (gr.)	Code	Shore	Max. Load (kg)
SCHR 35	11	20,1	11	4	11	8	34,5	20,4	6	6	42	138621	45 Sh	40
												138623	60 Sh	80
SCHR 50	20	31,7	19,5	10,5	20	13,5	49	31,8	14	12,5	153	138535	45 Sh	80
												138534	65 Sh	150
												138559	75 Sh	200
SCHR 65	23	39,5	24	15	23	16,75	64,5	40	22	19	269	138551	50 Sh	160
												138552	65 Sh	300
SCHR 90	25	56,5	31	17	25	23	88	57	29	25	675	138547	45 Sh	260
												138548	60 Sh	450
SCHR 125	32	65,4	32	22	32	27	125,5	65,8	32	25	1440	138216	50 Sh	650
												138217	60 Sh	800
SCHR 140	35	70	31	13	35	31	140	71	20	20	1900	138508	45 Sh	700
												138510	60 Sh	2000

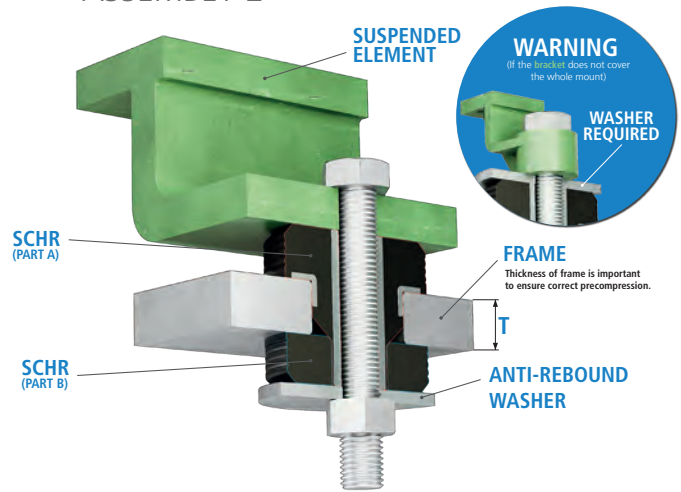
Washers should be used, if the rubber surface is not covered with the contact surface.
Washers upon request.

Type	Code	Weight (kg)	Øext (mm)	Øint (mm)	Thickness (mm)
SCHR 35 Washer	610053	0,03	38	8,5	2
SCHR 50 Washer	611080	0,051	54	13,5	3
SCHR 65 Washer	606130	0,125	67	16,5	5
SCHR 90 Washer	608101	0,31	96	22	6
SCHR 125 Washer	610123	0,58	145	25	8
SCHR 140 Washer	608115	1,251	145	30	10

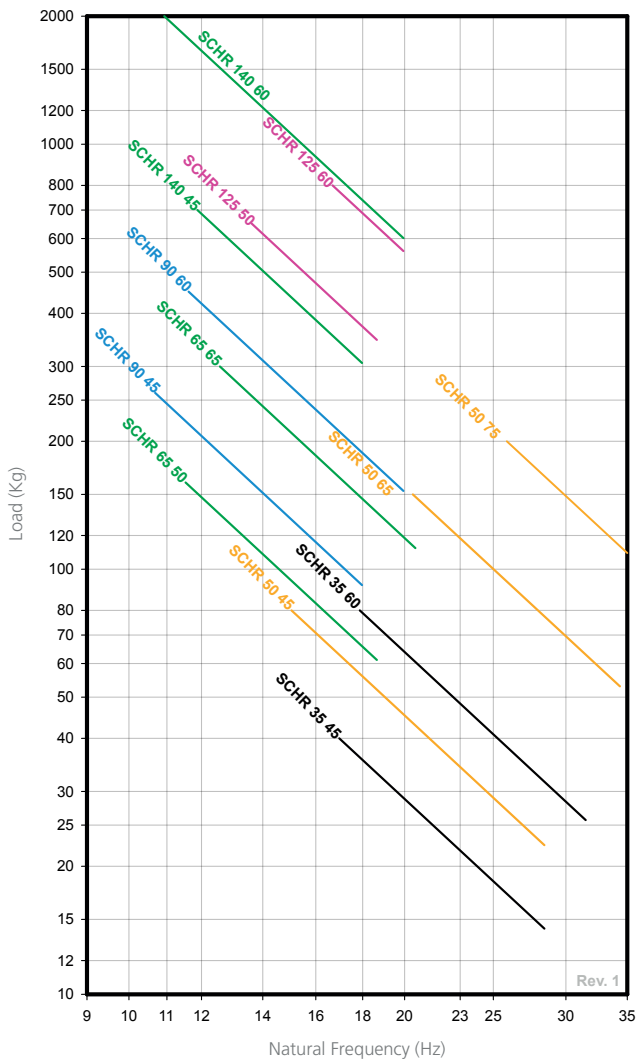
ASSEMBLY 1



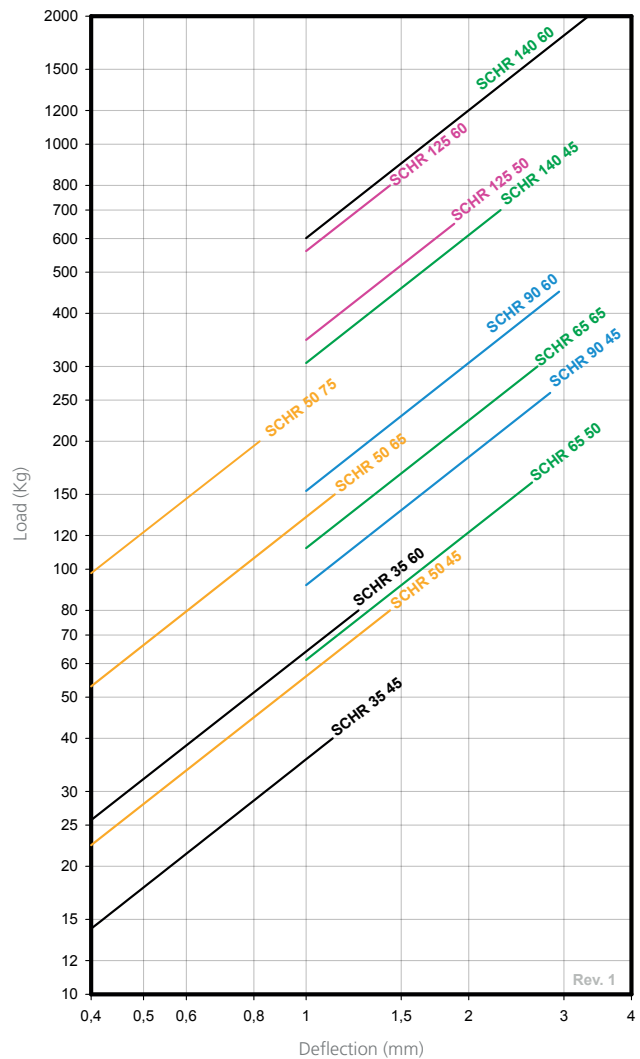
ASSEMBLY 2



NATURAL FREQUENCY AMC MECANOCAUCHO® SCHR ANTI VIBRATION MOUNTS



LOAD DEFLECTION GRAPH AMC MECANOCAUCHO® SCHR ANTI VIBRATION MOUNTS



TF

DESCRIPTION

The AMC MECANOCAUCHO® TF type anti vibration mounts are made of two moulded parts. One of circular fully moulded rubber, and one circular part which is fully bonded to a centre tube which acts as a guide for the machine anchoring bolt. They are installed pre-compressed on the actual machine frame, whose thickness "E" determines the degree of pre-compression of the assembly.

TECHNICAL CHARACTERISTICS

This antivibration mount is ideal for applications with major dynamic loadings such as; Off-Road Construction vehicles for engines, gear-boxes, Operator Cabins where movement control is necessary. It also offers optimal stability, as well as good attenuation of impacts and high frequency vibrations.

ASSEMBLY INSTRUCTIONS

The TF mounts should be assembled according to the following installation instructions. There are two possible configurations, see assembly 1 and assembly 2, for which the recommendations given in the following chart must be observed. They can be installed in plates of different thicknesses according to the T_{mx} and T_{min} values given in the Table provided. The Load vs Deformation curves will vary according to the plate thickness in which the mount will be installed.

APPLICATIONS

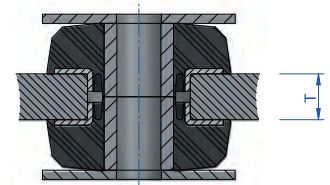
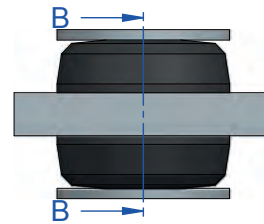
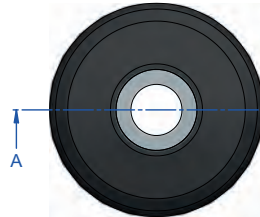
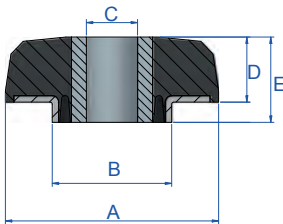
- Vehicle cabins
- Construction equipment machinery and agricultural vehicles, etc.



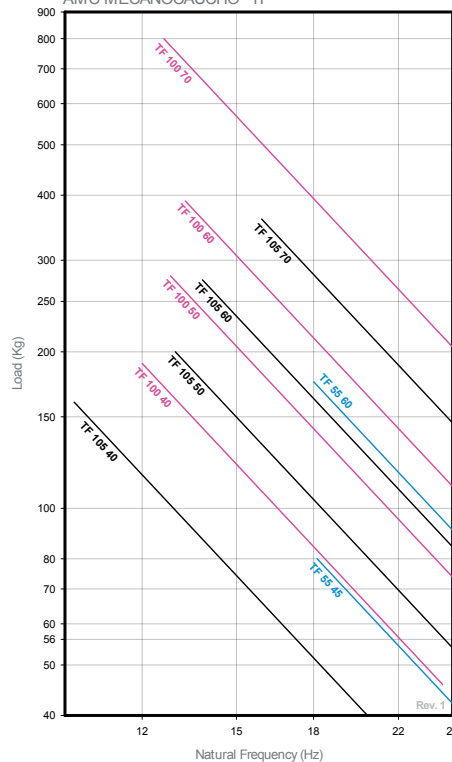
Type	A (mm.)	B (mm.)	C (mm.)	D (mm.)	E (mm.)	T (mm.)	Code	Shore	Max. Load (kg)
TF 55	55	40,5	16,2	16,4	-	10	138061	45 Sh	80
							138063	60 Sh	175
							137365	40 Sh	190
TF 100	100	56	24	30,5	40	25	137366	50 Sh	280
							137363	60 Sh	390
							137364	70 Sh	800
							137381	40 Sh	160
TF 105	105	75	16	29	38	20	137382	50 Sh	200
							137383	60 Sh	275
							137384	70 Sh	360

Washers should be used, if the rubber surface is not covered with the contact surface. Washers upon request.

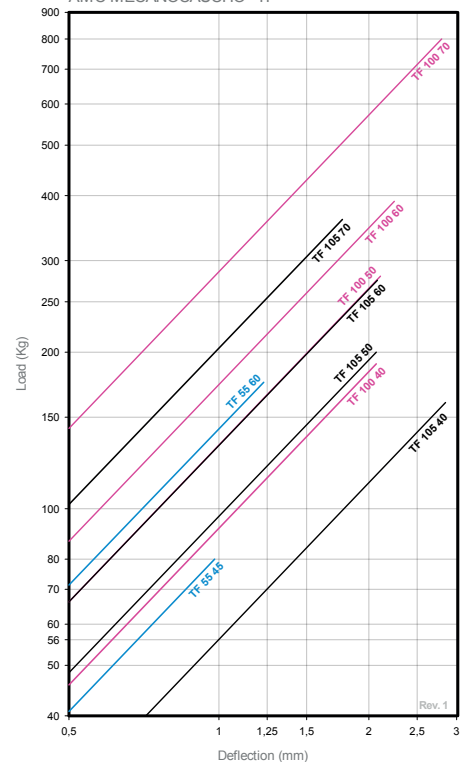
Type	Code	Øext (mm.)	Øint (mm.)	Thickness (mm)
TF 55 Washer	611056	54	17	3
TF 100 Washer	606484	110	24,5	5
TF 105 Washer	606481	105	18	5



NATURAL FREQUENCY GRAPHS
AMC MECANOCAUCHO® TF



LOAD DEFLECTION GRAPHS
AMC MECANOCAUCHO® TF



SCBR

DESCRIPTION

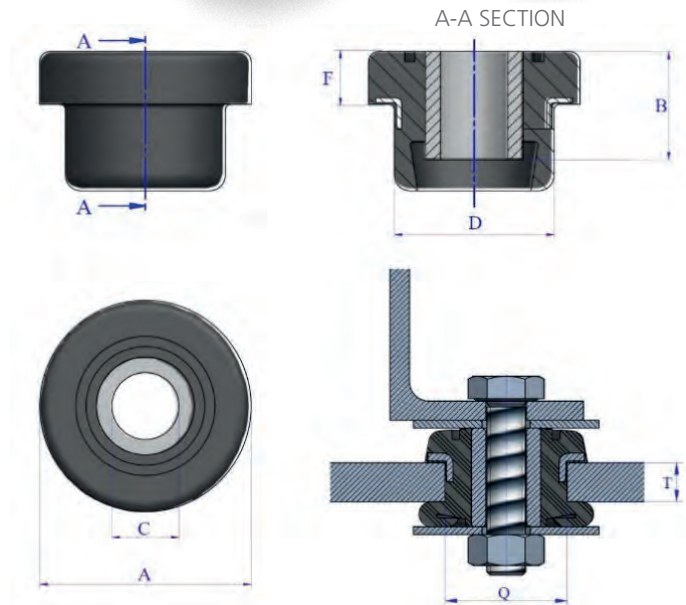
The SCBR elastic mounts are elements that work on the basis of compression since thanks to their design and assembly they provide an anti-rebound effect, thus permitting safety assemblies.

Moreover it contains a metallic part, that avoids a premature wear by friction between the rubber and the housing of the mount.

ADVANTAGES

The inside stop effect makes them very recommendable for safety purposes.

- Easy to assemble.
- Simple and economical product.
- Wide range of loads.

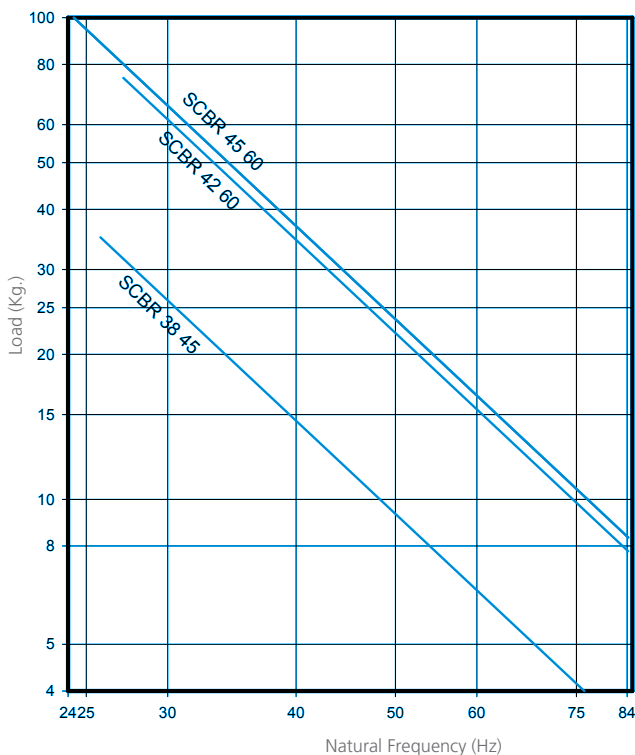


Washers should be used, if the rubber surface is not covered with the contact surface.
Washers upon request.

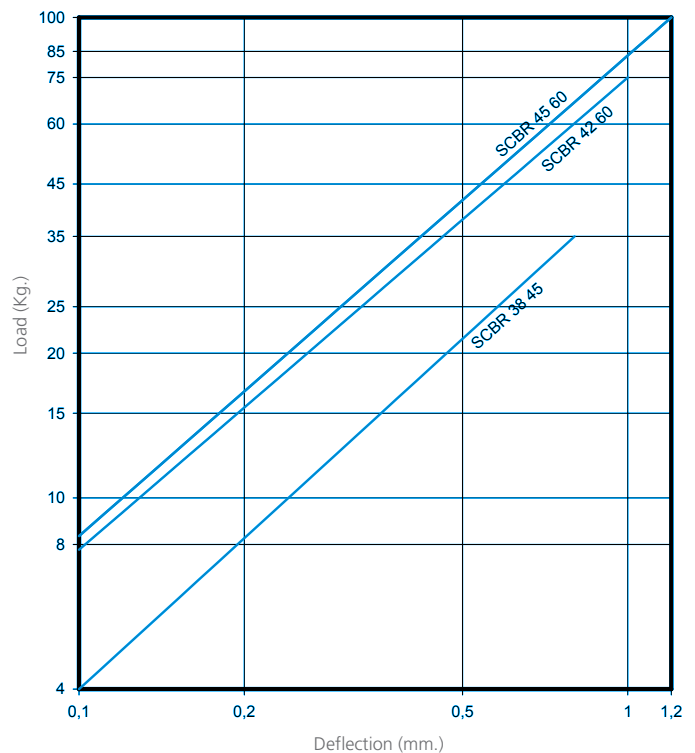
Type	A (mm)	B (mm)	C (mm)	D (mm)	F (mm)	Q (mm)	T (Max.)	T (Min.)	Weight (gr.)	Washer	Code	Load (kg)	Shore
SCBR 38	34	19	10,75	20,75	11	20,5	5	3	30	611065	138045	35	45 Sh
SCBR 42	42	21,25	13	31,5	9,5	31,5	6	6	40	611080	138051	75	60 Sh
SCBR 45	42	25,5	10,5	31,5	10	30	11	10	56	611080	138027	100	60 Sh

Type	Øext (mm)	Øint (mm)	Thickness (mm)	Code	Weight (kg)
SCB 38 WASHER	38	12,5	3	611065	0,04
SCB 42 WASHER	54	12,5	3	611080	0,051
SCB 45 WASHER	54	12,5	3	611080	0,051

NATURAL FREQUENCY
AMC MECANOCAUCHO® TYPE SCBR



LOAD DEFLECTION CURVE
AMC MECANOCAUCHO® TYPE SCBR



* AMC S.A. reserves the right to modify the design and manufacture of the materials presented in this catalogue without prior notice.

SCB

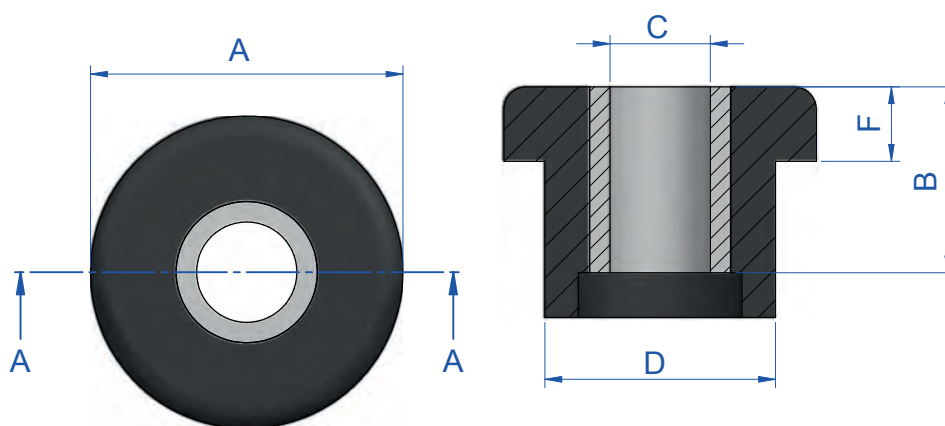
DESCRIPTION

The SCB elastic mounts are elements that work on the basis of compression since thanks to their design and assembly they provide an anti-rebound effect, thus permitting safety assemblies.

ADVANTAGES

- Easy to install
- Simple and economical product.
- Wide range of loads.

Their failsafe feature makes them very recommendable for mobile applications.

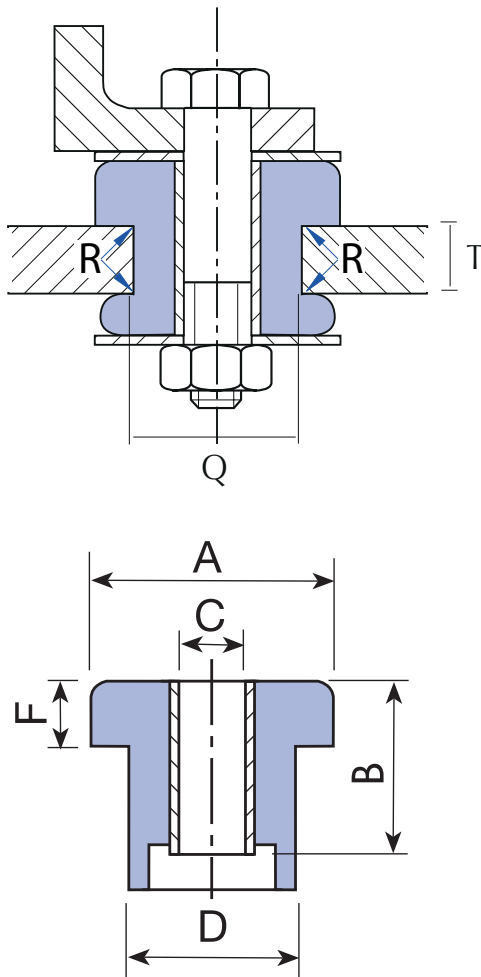


Washers should be used, if the rubber surface is not covered with the contact surface.
Washers upon request.

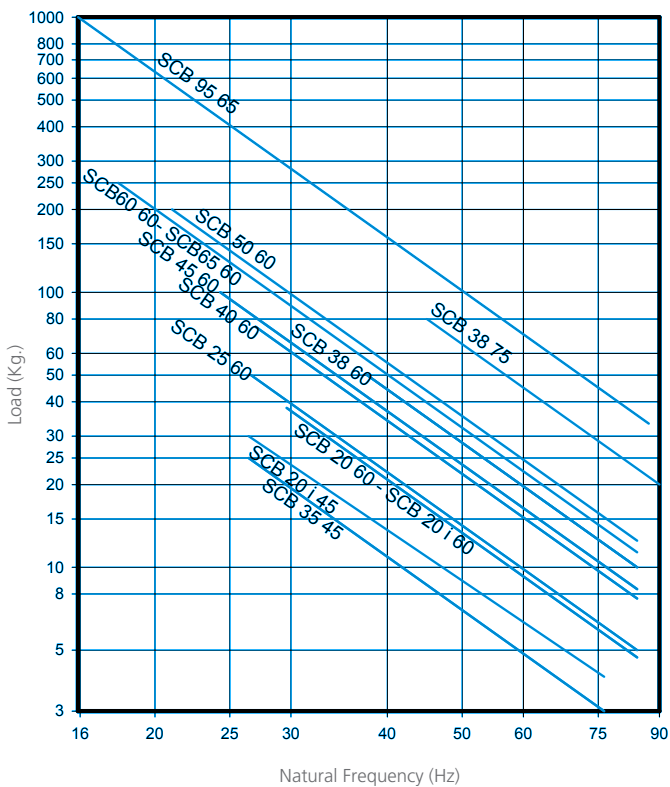
Type	A (mm)	B (mm)	C (mm)	D (mm)	F (mm)	Q (mm)	T (Max.)	T (Min.)	Weight (gr.)	R (mm)	Code	Load (kg)	Shore
SCB 20	27	15,5	10,25	20	7	19,5	5	4	20	1	138013	30	45 Sh
											138019	38	60 Sh
SCB 20i	27	15,5	8	20	7	19,5	5	4	20	1	138056	38	60 Sh
SCB 25	27,5	21	10	20	6,5	19,5	15	14	20	1	138001	50	60 Sh
SCB 35	27,5	12,5	8	19,4	8,5	19	4	3	30	0,5	138012	25	45 Sh
SCB 38	33,5	19	10,5	20,5	11	20,5	5	3	30	0,5	138043	50	60 Sh
											138044	80	75 Sh
SCB 40	35	15,5	13	26,5	8	26,5	5	4	50	1	138022	75	60 Sh
SCB 45	41,5	25,5	13,75	31	10	30	11	10	56	1,5	138002	100	60 Sh
SCB 50	49,5	35	13,5	34	13,5	33	17	16	73	1,5	138003	200	60 Sh
SCB 60	63	31,2	16,2	41	17	40	10	9	108	3	138004	250	60 Sh
SCB 65	62	43,5	16,5	40	17	39	20	19	140	3	138005	250	60 Sh
SCB 95	92	51,5	20,5	56	26,5	54,5	20	19	395	3	138011	1000	65 Sh

Type	Øext (mm)	Øint (mm)	Thickness (mm)	Code	Weight (kg)
SCB 20 WASHER	28	10,5	2	606185	0,03
SCB 20i WASHER	28	8,5	2	606124	0,03
SCB 25 WASHER	28	8,5	2	606124	0,03
SCB 35 WASHER	28	8,5	2	606124	0,03
SCB 38 WASHER	38	12,5	3	611065	0,04
SCB 40 WASHER	38	12,5	3	611065	0,04
SCB 45 WASHER	54	12,5	3	611080	0,051
SCB 50 WASHER	54	12,5	3	611080	0,051
SCB 60 WASHER	66	16,5	5	606130	0,125
SCB 65 WASHER	66	16,5	5	606130	0,125
SCB 95 WASHER	95	22	6	608101	0,31

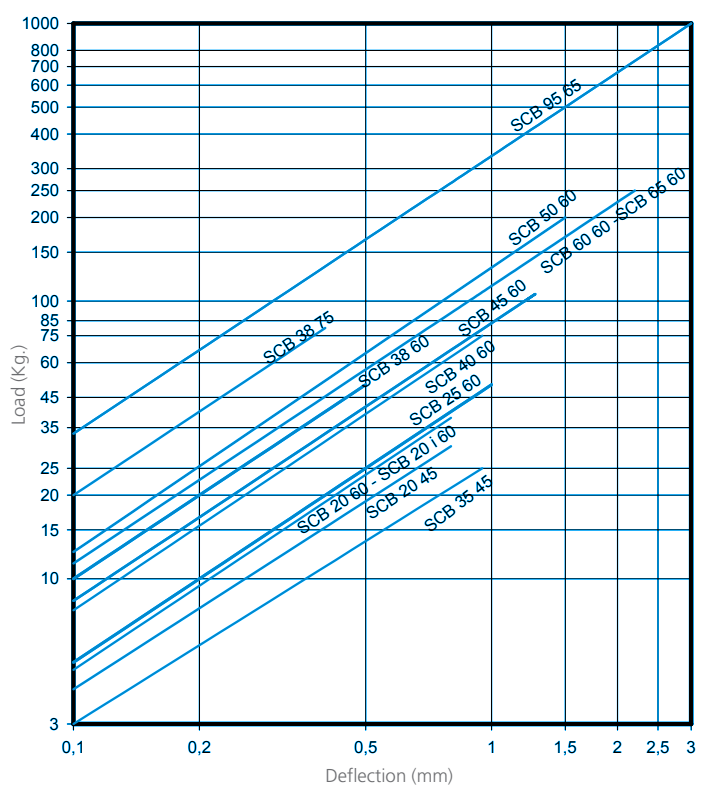
ASSEMBLY



NATURAL FREQUENCY
AMC MECANOCAUCHO® SCB TYPE



LOAD DEFLECTION GRAPH
AMC MECANOCAUCHO® SCB TYPE



* AMC S.A. reserves the right to modify the design and manufacture of the materials presented in this catalogue without prior notice.

ECCENTRIC BUSHINGS

DESCRIPTION

On the eccentric bushings the center points of the inner and outer cylinders are not the same. As a result it is more flexible in the direction of the main load and it keeps the same control in the other direction.

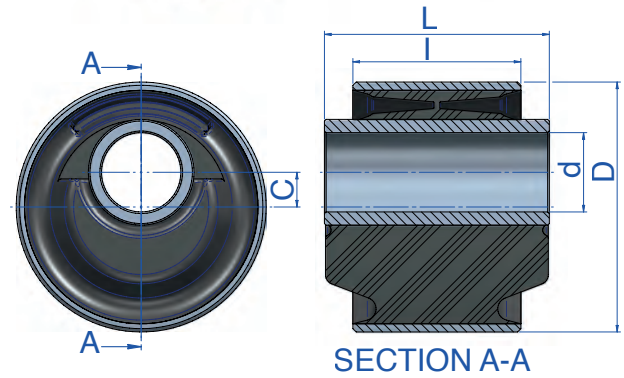
TECHNICAL CHARACTERISTICS

- Optimal vibration damping and isolation.
- Fit to use for robust and safe constructions.
- Simple installation and application.

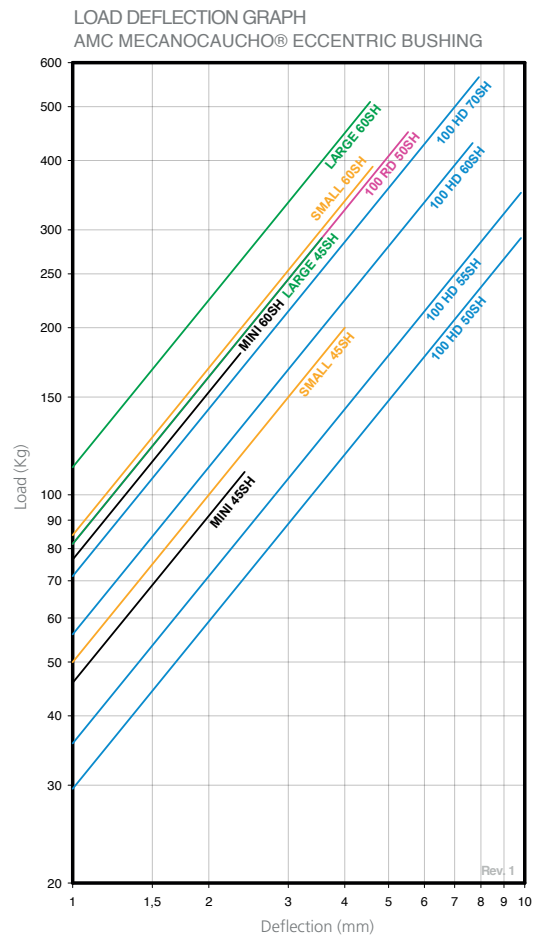
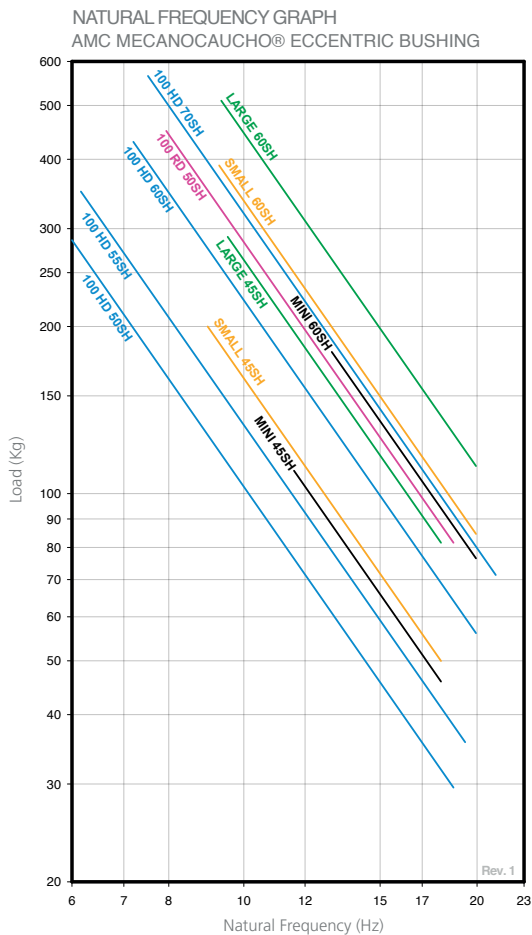
APPLICATION

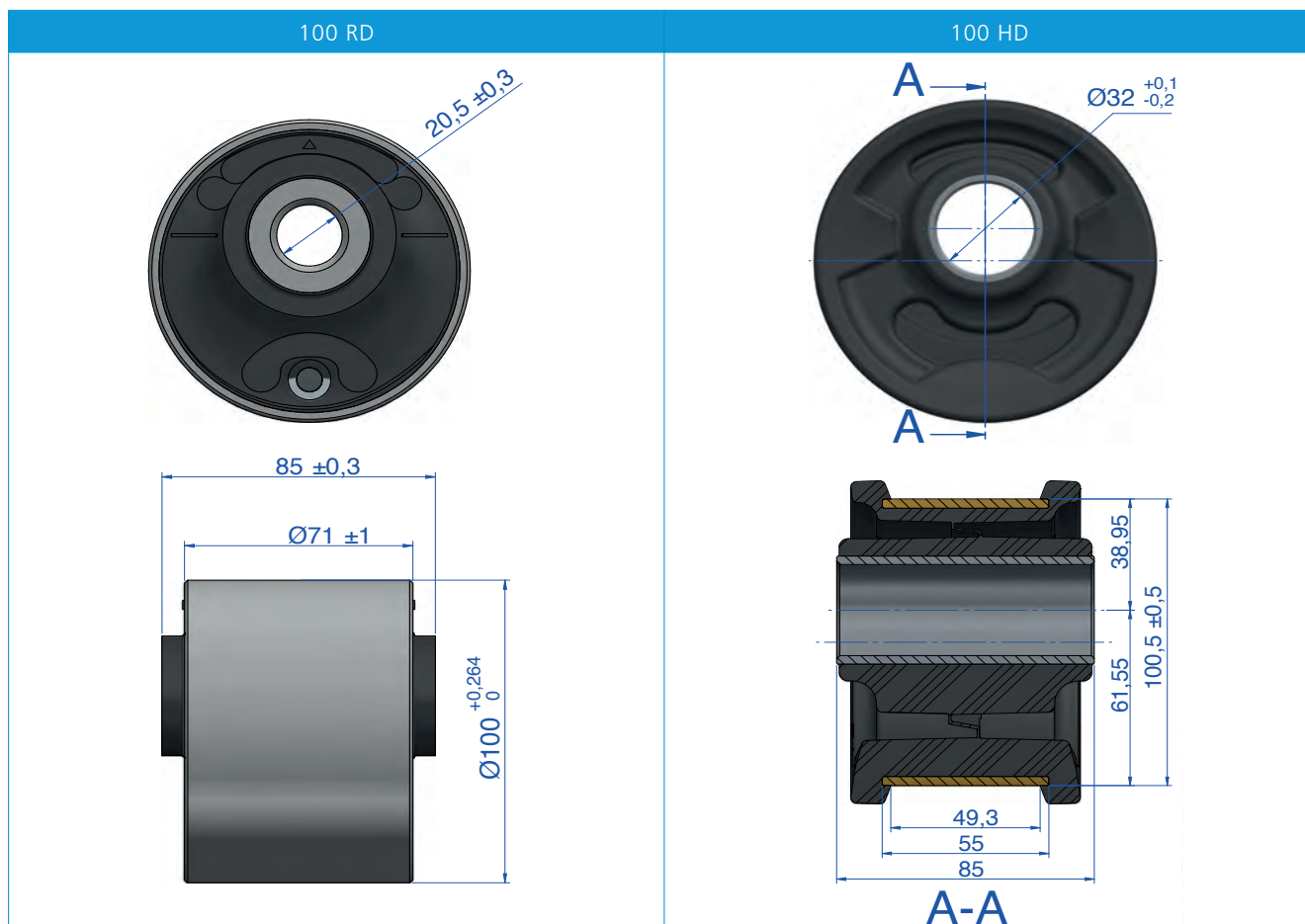
The AMC MECANOCAUCHO® eccentric bushing is best suited to the following situations and applications:

- Tilting cab suspension.
- Suspension arms.



Type	d (mm.)	C (mm.)	D (mm.)	l (mm.)	L (mm.)	Code	Shore	Max. Load (kg)
MINI	16	7,1	47,6	50,8	63,5	154161	45	110
						154163	60	180
SMALL	24	10,5	75,3	50,8	68	154159	45	200
						154158	60	390
LARGE	43,7	9,5	101,6	63,5	72,4	154154	45	290
						154155	60	510
100 HD						154181	50	225
						154182	55	290
						154183	66	350
100 RD						154175	50	450





DRD

DESCRIPTION

The AMC MECANOCAUCHO® type DRD mounts have a low axial and radial stiffness rate. Their design makes them ideal for those machines that produce vibrations in the 3 directions. The architecture of these mounts is similar to the DSD, but the rubber section is greater, this feature makes them have a lower stiffness rates than the DSD mounts. These mounts are particularly interesting for those applications where an extra isolation is needed.

OPERATION AND ASSEMBLY

The design of the mount allows an easy installation. The top metal part has an inside thread for securing to the machine, the baseplate has 2/4 holes that allow an easy fixation to the frame. Oil anti-drip hoods can be supplied on demand.

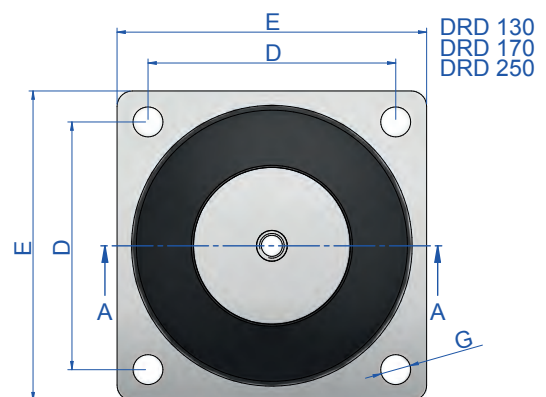
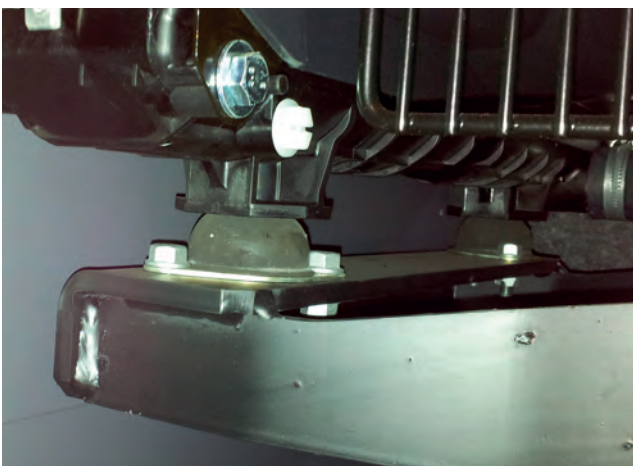
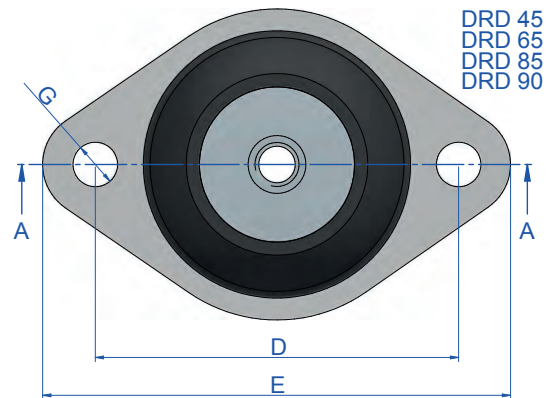
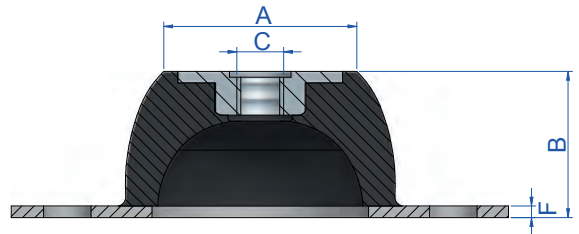
The DRD mounts by MECANOCAUCHO® have the following characteristics.

- The metal parts are protected from corrosion by an electrolytic coating for outdoor work. RoHs compliant.
- We engrave the rubber hardness on the metal parts.

APPLICATIONS

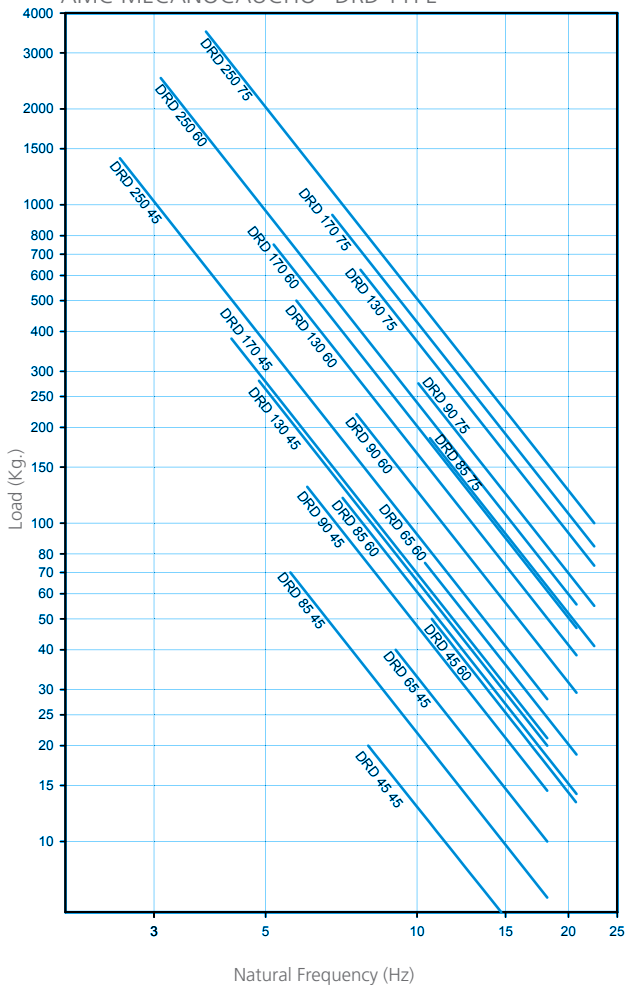
The DRD mounts are ideal for light machines at medium or low excitation frequencies.

- Compressors.
- Air-conditioners.
- Ventilators.
- Vibrating Tables.

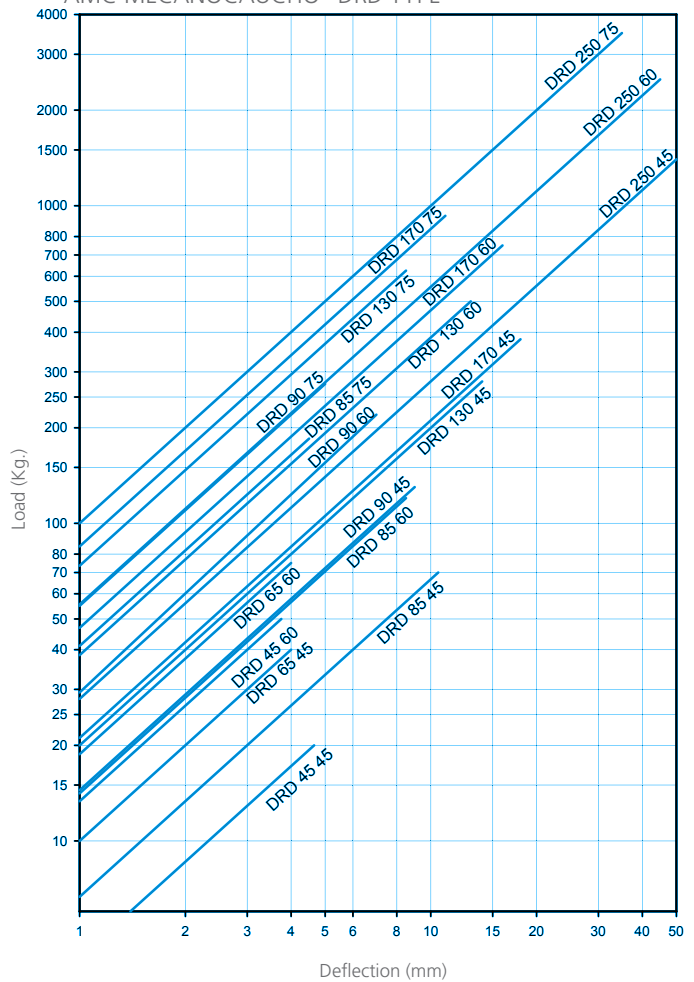


Type	A (mm)	B (mm)	C (mm)	D (mm)	E (mm)	F (mm)	G (mm)	Weight (gr.)	Code	Load (kg)	Shore
DRD 45	33	25	M-8	66	85	2	8	70	175081	20	45 Sh
									175083	50	60 Sh
DRD 65	52	35	M-10	92	114	2,5	10,5	170	175001	40	45 Sh
									175002	75	60 Sh
DRD 85	52	40	M-10	110	136	3	11,5	303	175003	75	45 Sh
									175004	120	60 Sh
									175013	185	75 Sh
DRD 90	57,5	45	M-10	125	150	3	12,5	430	175021	130	45 Sh
									175022	220	60 Sh
									175023	275	75 Sh
DRD 130	78	63	M-12	120	150	5	14,5	1080	175031	280	45 Sh
									175032	500	60 Sh
									175033	625	75 Sh
DRD 170	100	84	M-16	160	200	4	14,5	2390	175036	380	45 Sh
									175037	750	60 Sh
									175038	930	75 Sh
DRD 250	187	158	M-24	250	310	6	18,5	10400	175041	1400	45 Sh
									175042	2500	60 Sh
									175044	3150	75 Sh

NATURAL FREQUENCY
AMC MECANOCAUCHO® DRD TYPE



LOAD DEFLECTION GRAPH
AMC MECANOCAUCHO® DRD TYPE



DSD

DESCRIPTION

AMC MECANOCAUCHO® DSD mounts design provides excellent radial and axial flexibility making them most suitable for the suspension of machines where isolation of both vertical and horizontal vibration components occur.

DSD mounts comprise of two flat metal parts. Top metal part is circular with either a tapped central hole or interior welded nut for attachment to the machine frames. Lower metal part has an oval contour with two machined holes, one at each end, to securely attach the mountings to the support structure for the machine.

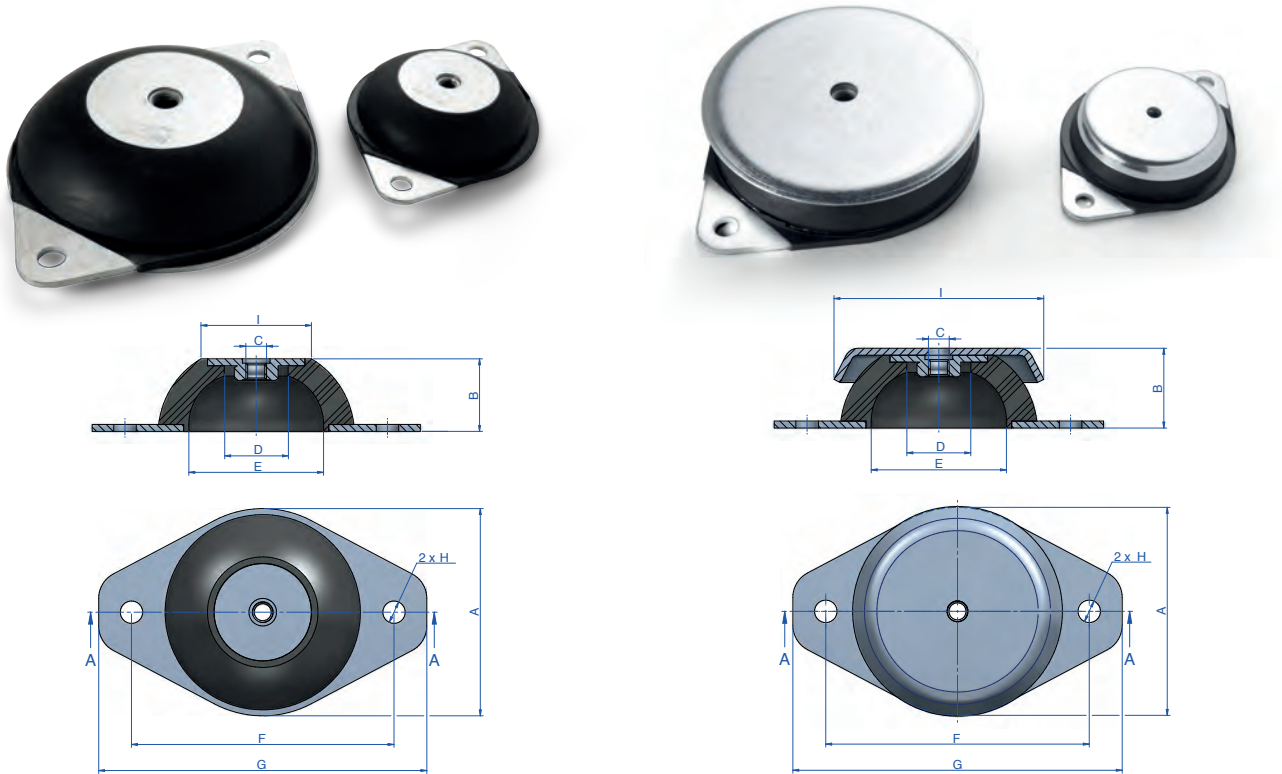
TECHNICAL CHARACTERISTICS

DSD mountings comparable stiffness vertically and horizontal making them very effective against random vibrations in either plane.

APPLICATIONS

DSD mountings are particularly suitable for applications with low to medium dynamic amplitudes which enables the mountings stiffness rates to provide effective isolation .

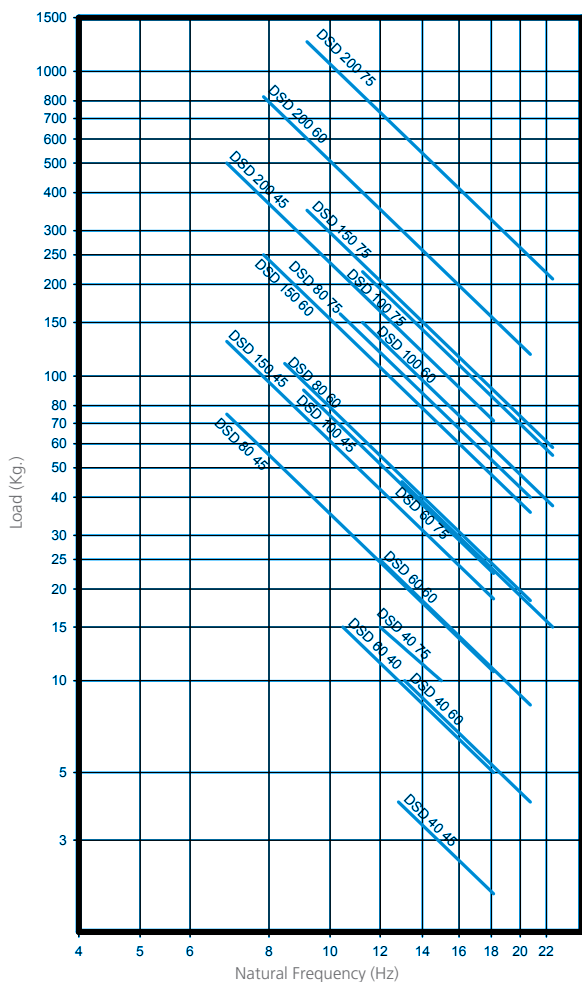
Suitable for HVAC, Ventilators, rotating pumps, torque or frequency converters, electrical engines, etc.



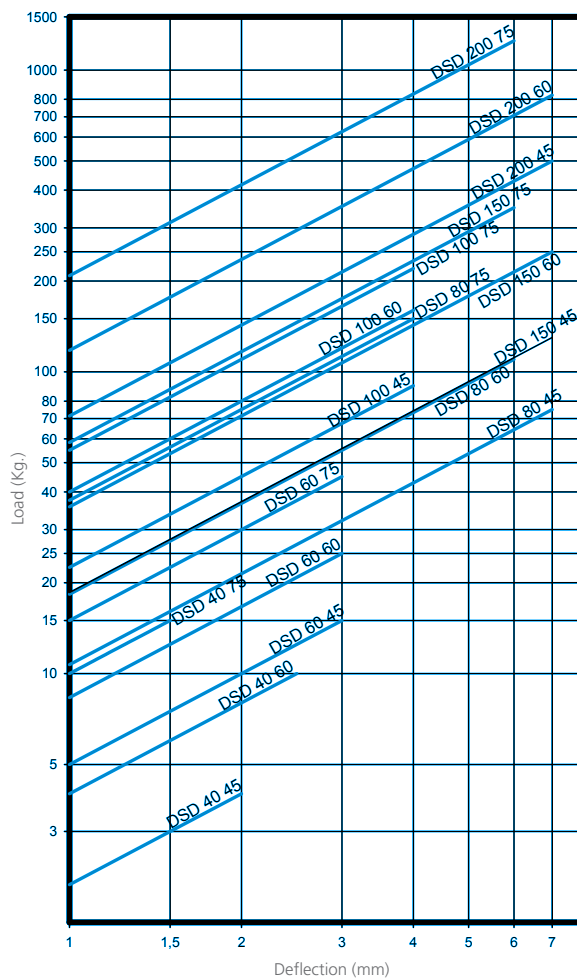
Type	A (mm)	B (mm)	C (mm)	D (mm)	E (mm)	F (mm)	G (mm)	H (mm)	I (mm)	Weight (gr.)	Code	Load (kg)	Shore
DSD 40 + Bell	43	19	M-6	19	29	52	64	6,25	40	48	134028	4	45 Sh
											134029	10	60 Sh
											134030	15	75 Sh
DSD 60 + Bell	60	23	M-6	14	39	76	95	6,5	60,5	128	134031	15	45 Sh
											134032	25	60 Sh
											134033	45	75 Sh
DSD 80 + Bell	86	27	M-8	25	65	100	120	8,5	85	232	134034	75	45 Sh
											134035	110	60 Sh
											134036	150	75 Sh
DSD 100 + Bell	100	28	M-10	22	67	124	149	10,5	103,5	465	134037	90	45 Sh
											134038	160	60 Sh
											134039	220	75 Sh
DSD 150 + Bell	150	37	M-14	34	114	182	214	12	155	1110	134040	130	45 Sh
											134041	250	60 Sh
											134042	350	75 Sh
DSD 200 + Bell	200	44	M-18	35	140	240	280	15	208	2736	134043	500	45 Sh
											134044	825	60 Sh
											134045	1250	75 Sh

Type	A (mm)	B (mm)	C (mm)	D (mm)	E (mm)	F (mm)	G (mm)	H (mm)	I (mm)	Weight (gr.)	Code	Load (kg)	Shore
DSD 40	43	17	M-6	19	29	52	64	6,25	24,5	28	134001	4	45 Sh
											134002	10	60 Sh
											134003	15	75 Sh
DSD 60	60	21	M-6	14	39	76	95	6,5	32	73	134004	15	45 Sh
											134005	25	60 Sh
											134006	45	75 Sh
DSD 80	86	25	M-8	25	65	100	120	8,5	51	130	134007	75	45 Sh
											134008	110	60 Sh
											134009	150	75 Sh
DSD 100	100	25	M-10	22	67	124	149	10,5	54	262	134010	90	45 Sh
											134011	160	60 Sh
											134012	220	75 Sh
DSD 150	150	34	M-14	34	114	182	214	12	76	664	134013	130	45 Sh
											134014	250	60 Sh
											134015	350	75 Sh
DSD 200	200	40	M-18	35	140	240	280	15	128	1615	134016	500	45 Sh
											134017	825	60 Sh
											134018	1250	75 Sh

NATURAL FREQUENCY
AMC MECANOCAUCHO® DSD TYPE



LOAD DEFLECTION GRAPH
AMC MECANOCAUCHO® DSD TYPE



AT

DESCRIPTION

AMC MECANOCAUCHO® AT mounts are specifically designed to provide isolation for medium to high frequency applications.

The rubber section is fully bonded to two concentric tubular parts. The inner metal is a plain tube design. The outer metal part is also mainly tubular but has a manufacturing process Flanged effect at one end with a variation in the number of attachment holes.

TECHNICAL CHARACTERISTICS

Type AT mounts have a radial to axial ratio of 4:1, thus providing good horizontal stability.

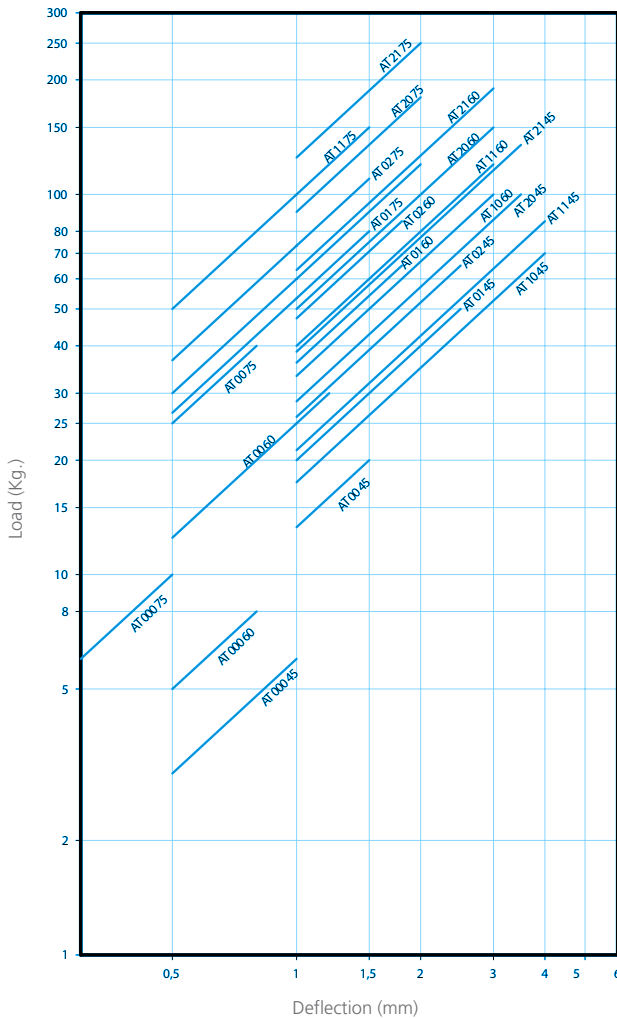
It is manufactured in three hardnesses to facilitate the choice of the most suitable mount (Soft: hardness A 45, Medium sized: hardness B 60 and Hard: hardness C 75).

APPLICATIONS

The AT elastic mounts can be used to great advantage for the vibration isolation of engines, piston compressors, presses, electric transformers, mobile units, machines, on concrete buttresses, etc.



NATURAL FREQUENCY
AMC MECANOCAUCHO® AT 000-21 TYPE



LOAD DEFLECTION GRAPH
AMC MECANOCAUCHO® AT 30-81 TYPE

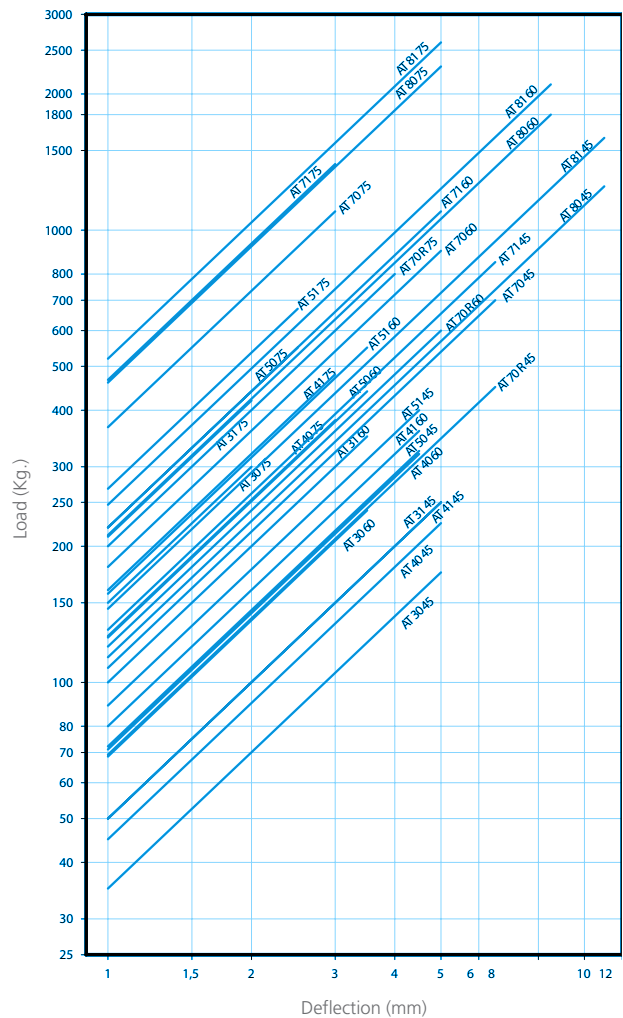


Fig. 1

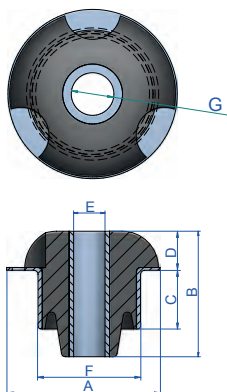


Fig. 2

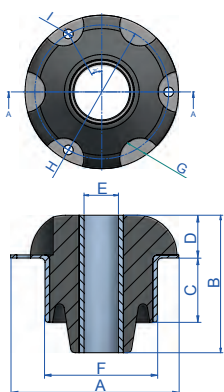


Fig. 3

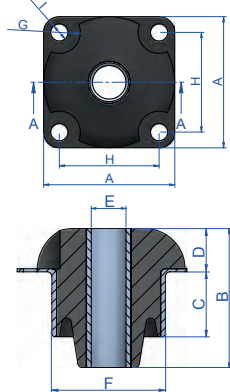
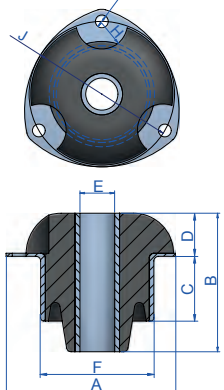


Fig. 4



Type	A (mm.)	B (mm.)	C (mm.)	D (mm.)	E (mm.)	F (mm.)	G (mm.)	H (mm.)	I (mm.)	J (mm.)	Weight (gr.)	Fig.	Code	Load (kg)	Shore
AT 000	25	11	3	6,5	6,4	20	4	19	3,2		8	3	132171	6	45 Sh
													132172	8	60 Sh
													132173	10	75 Sh
AT 00	36	28	12,5	11,5	8,2	26	12	26	5,2		39	3	132101	20	45 Sh
													132102	30	60 Sh
													132103	40	75 Sh
AT 02	48	51	24	18	12,1	37,6	8	-	-		144	1	132104	65	45 Sh
													132105	85	60 Sh
													132106	110	75 Sh
AT 10	60	47	18	19	12,2	49	11	69	8,2	73	250	4	132175	70	45 Sh
													132176	100	60 Sh
													132177	120	75 Sh
AT 11	60	60	30,5	19	12,2	49	11	69	8,2	73	250	4	132107	85	45 Sh
													132108	120	60 Sh
													132109	150	75 Sh
AT 20	71	55	27,5	19	18,3	55,7	10	-	-		344	1	132110	100	45 Sh
													132111	150	60 Sh
													132112	180	75 Sh
AT 21 round	70	70	38,5	20,7	18,3	55,7	10	80	8,5	86	437	1	132113	135	45 Sh
													132114	190	60 Sh
													132115	250	75 Sh
AT 21 lugs	70	70	38,5	20,7	18,3	55,7	10	80	8,5	86	437	4	132116	135	45 Sh
													132117	190	60 Sh
													132118	250	75 Sh
AT 31 lugs	90	95	47	28	20,2	65	16	95	8,5	107	780	4	132136	250	45 Sh
													132137	350	60 Sh
													132138	420	75 Sh
AT 40 round	100	90	42	28	22,2	74	18	100	8,5	112	789	1	132139	225	45 Sh
													132140	320	60 Sh
													132141	380	75 Sh
AT 40 lugs	100	90	42	28	22,2	74	18	100	8,5	112	780	4	132142	225	45 Sh
													132143	320	60 Sh
													132144	380	75 Sh
AT 41 round	100	110	49	28	22,2	74	18	100	8,5	112	895	1	132145	250	45 Sh
													132146	360	60 Sh
													132147	480	75 Sh
AT 41 lugs	100	110	49	28	22,2	74	18	100	8,5	112	900	4	132148	250	45 Sh
													132149	360	60 Sh
													132161	480	75 Sh
AT 70 réduit	163,5	97	36	43,5	60,2	118	22	145	10,5		3124	2	132162	450	45 Sh
													132163	600	60 Sh
													132164	800	75 Sh
AT 70	163,5	140	66	46	60,2	118	22	145	10,5		3124	2	132165	700	45 Sh
													132166	900	60 Sh
													132167	1100	75 Sh
AT 71	163,5	170	96	46	60,2	118	22	145	10,5		3790	2	132168	850	45 Sh
													132169	1100	60 Sh
													132170	1400	75 Sh



ATP

DESCRIPTION

AMC MECANOCAUCHO® ATP type mounts have been designed to provide effective vibration isolation of medium to high frequency applications in a variety of industrial machinery, gensets, motor pumps, motor compressors, hydraulic units, etc.

The top metal part is cup shaped to protect the rubber section from contamination by oil, grease, petrol, diesel, dust, etc.

TECHNICAL CHARACTERISTICS

The compound used is based on a standard natural rubber specifically designed to have good ageing properties.

Load capacities shown in catalogue are the maximum Static values with the capability of withstanding occasional extreme dynamic overloads .

ATP mounts have stiffness values 4 times greater in the radial plane than the axial plane, providing effective resistance to transient lateral shock loads.

APPLICATIONS

Suspension systems where it is deemed necessary to control any Pitching or Rolling movement which could strain external connections. • Medium and high frequency motor compressor units. • Gen sets. • Hydraulic Units. • Marine auxiliary units. • Ventilators, etc.



Fig. 1

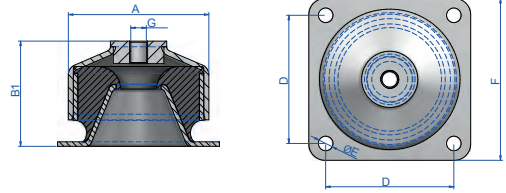
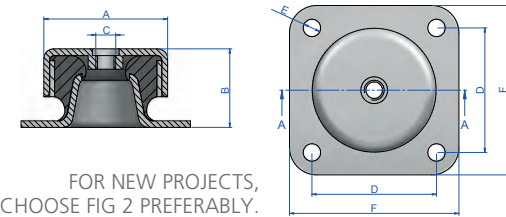


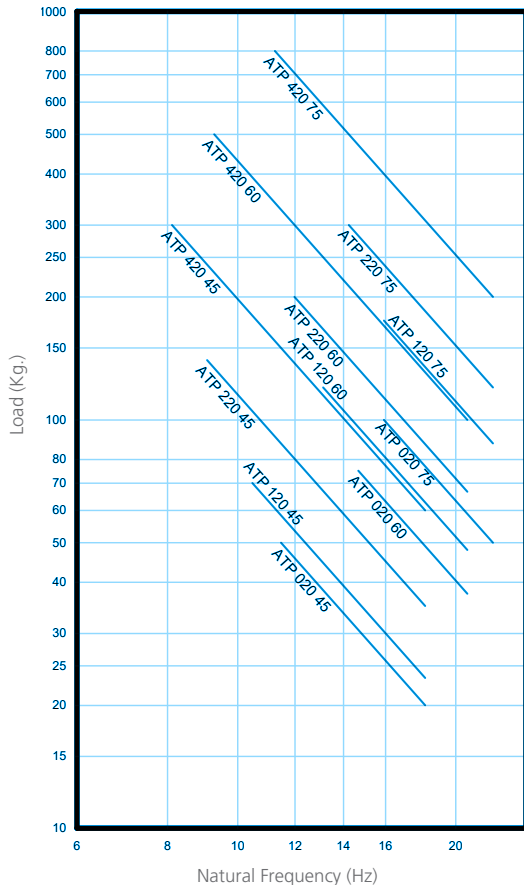
Fig. 2



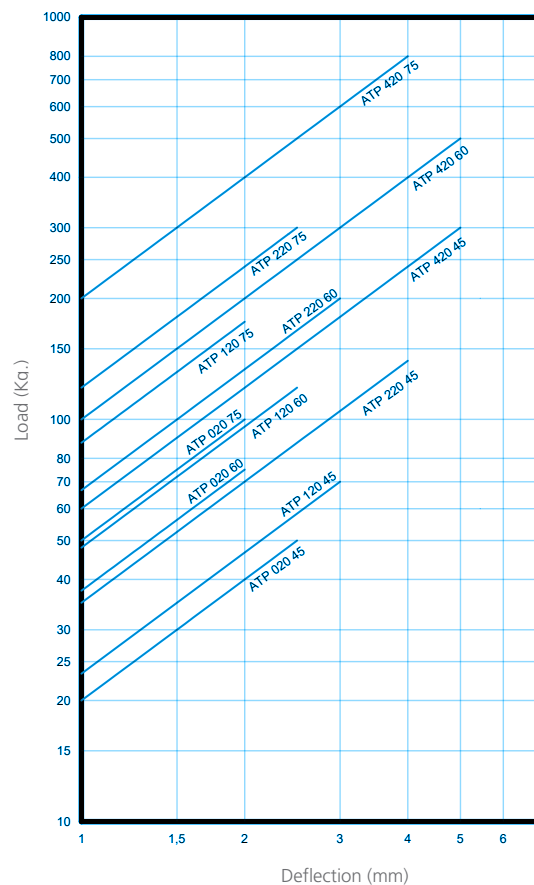
FOR NEW PROJECTS,
CHOOSE FIG 2 PREFERABLY.

Type	A (mm)	B (mm)	C (mm)	D (mm)	E (mm)	F (mm)	G (mm)	Weight (gr.)	B1	Code	Load (kg)	Shore	Fig.
ATP 020	49,7	31,5	M-8	50	7	68	16	143	-	133101	50	45 Sh	2
										133102	75	60 Sh	2
										133103	100	75 Sh	2
										133104	70	45 Sh	2
ATP 120	73,6	43	M-10	72,2	9,2	90	32	379	53	133105	120	60 Sh	2
										133106	175	75 Sh	2
										133151	70	45 Sh	1
										133152	120	60 Sh	1
										133153	175	75 Sh	1
										133107	140	45 Sh	2
ATP 220	91	53	M-12	90	11	114,2	36	618	63	133108	200	60 Sh	2
										133109	300	75 Sh	2
										133154	140	45 Sh	1
										133155	200	60 Sh	1
										133156	300	75 Sh	1
										133110	300	45 Sh	2
										133111	500	60 Sh	2
										133112	800	75 Sh	2
ATP 420	124,5	75	M-16	114	13	144	60	1510	94	133113	500	60 Sh	1
										133157	300	45 Sh	1
										133158	500	60 Sh	1
										133159	800	75 Sh	1
										133114	500	60 Sh	2

NATURAL FREQUENCY
AMC MECANOCAUCHO® ATP TYPE



LOAD DEFLECTION GRAPH
AMC MECANOCAUCHO® ATP TYPE



SPS

DESCRIPTION

AMC MECANOCAUCHO® SPS type mounts are comprised of two pressed metal parts. A cup shaped Top Cap and a pressed steel inverted cup shaped base, two moulded rubber sections are assembled to the metal parts and secured by means of a swaged centre insert which is threaded.

TECHNICAL CHARACTERISTICS

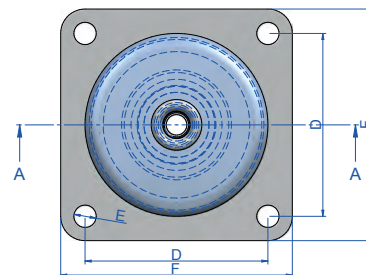
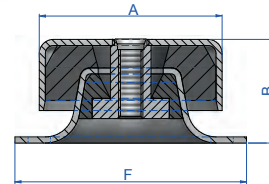
Due to the design, SPS mounts can work with compression and tensile loads, isolating effectively using the friction of the rubber section with the surfaces of the assembled metal parts. It is most effective in applications where high frequency vibrations are predominant.

Various rubber compounds are available for insertion depending upon the applications to be considered, high temperatures, oil and diesel resistance, and ageing resistance against Ozone attack.

APPLICATIONS

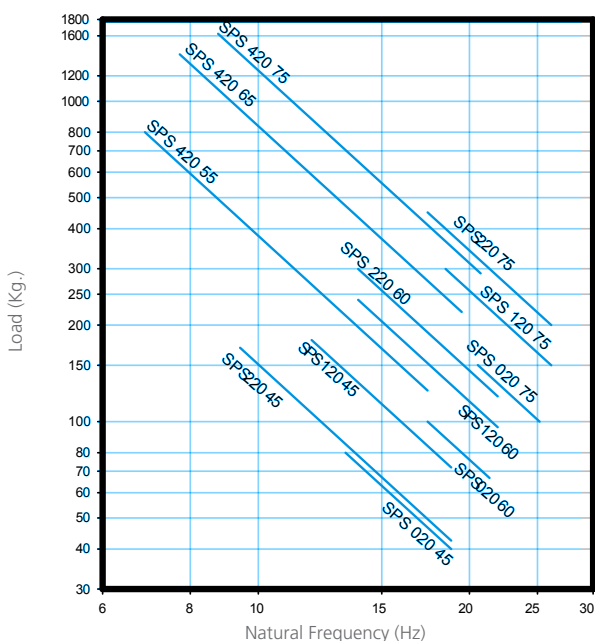
With a captive rubber unit the SPS mounts afford total safety in Mobile applications. They are compact in design for the range of loads to be supported and can be manufactured in Stainless Steel metal parts as an option for Food Industry applications, and coupled with appropriate compounds for the environments involved.

Applications range from high speed operation equipment such as Refrigeration units, Compressors, Transformers, HVAC units on trains or coaches.

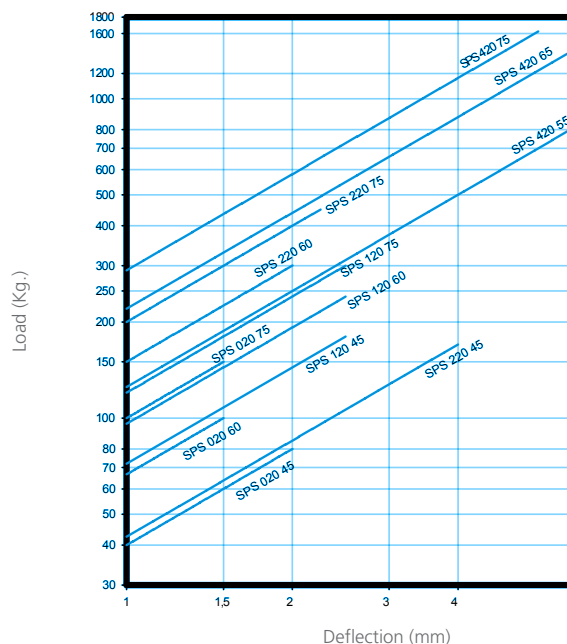


Type	A (mm)	B (mm)	C (mm)	D (mm)	E (mm)	F (mm)	G (mm)	Weight (gr.)	Code	Load (kg)	Shore
SPS 020	50	28	M-8	50	6	60	1,5	171	140001	80	45 Sh
									140003	100	60 Sh
									140005	150	75 Sh
SPS 120	76	39	M-10	63,5	6,7	76	3	524	140002	180	45 Sh
									140004	240	60 Sh
									140006	300	75 Sh
SPS 220	90	51	M-12	90	11	114	3	971	140007	170	45 Sh
									140008	300	60 Sh
									140009	450	75 Sh
SPS 420	125	78	M-16	114	13	144	4	2424	140034	800	55 Sh
									140035	1400	65 Sh
									140033	1625	75 Sh

AMC NATURAL FREQUENCY
MECANOCAUCHO® SPS TYPE



AMC LOAD DEFLECTION GRAPH
MECANOCAUCHO® SPS TYPE



VD

DESCRIPTION

The AMC MECANOCAUCHO® mount works the elastomer at shear-compression. It is comprised of 2 metal parts which allow it to be installed with its two built-in screws.

TECHNICAL CHARACTERISTICS

The type VD is a vee shaped mount providing high deflections for relatively low loads. This means that the natural frequency is low and ideal for engines which normally run at idle speed.

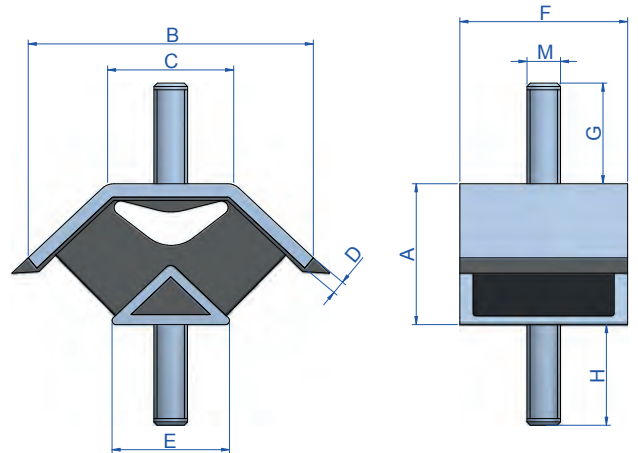
It has three different stiffness rates X,Y,Z which permits adjustments of system modes for optimal isolation and stability.

They can be installed at specific angles providing further adjustment to the systems characteristics. For this purposes, please contact our technical department.

APPLICATIONS

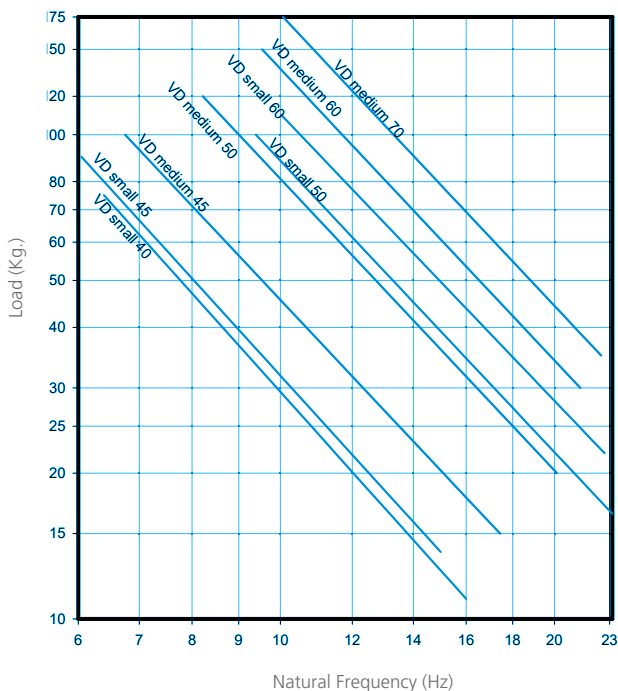
It is used in applications where the load of the suspended unit is low and the level of vibration isolation must be high, such as:

- Small vehicles.
- Small and medium sized gen sets.
- Construction equipment machinery.

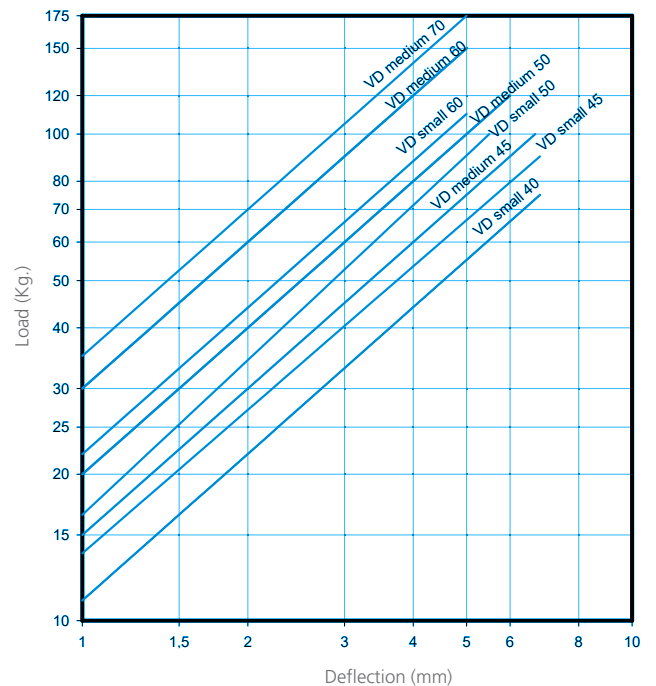


Type	A (mm)	B (mm)	C (mm)	D (mm)	E (mm)	F (mm)	G (mm)	H (mm)	M	Weight (gr.)	Code	Load (kg)
Small 40	41	95	39	4	35	50	23	25	M-10	330	148121	75
Small 45 M12	41	95	39	4	35	50	30	30	M-12	350	148132	90
Small 50	41	95	39	4	35	50	23	25	M-10	330	148123	100
Small 60	41	95	39	4	35	50	23	25	M-10	330	148125	110
Small 60 M12	41	95	39	4	35	50	30	31	M-12	350	148133	110
Medium 45	64	130	60	6	52	60	34	36	M-12	805	148101	100
Medium 50	64	130	60	6	52	60	34	36	M-12	805	148102	100
Medium 60	64	130	60	6	52	60	34	36	M-12	805	148104	150
Medium 70	64	130	60	6	52	60	34	36	M-12	805	148105	175

AMC NATURAL FREQUENCY
VD TYPE MECANOCAUCHO®



AMC LOAD DEFLECTION GRAPH
VD TYPE MECANOCAUCHO®



V-SHAPED MARINE TYPE

DESCRIPTION

The AMC MECANOCAUCHO® V-shaped marine mount works the rubber section in shear-compression. It is comprised of 2 metal parts which permit its installation by means of a screw at the top and two holes for securing it to the chassis.

TECHNICAL CHARACTERISTICS

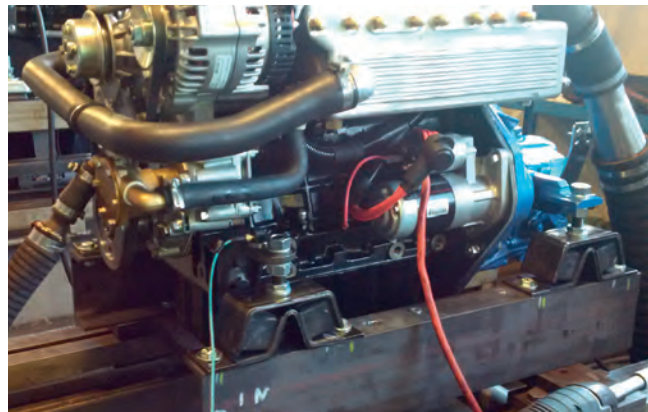
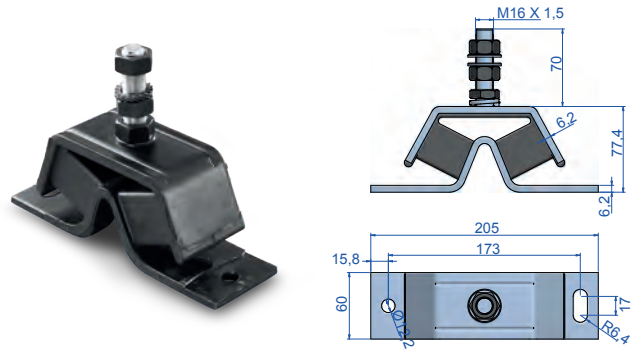
The AMC MECANOCAUCHO® V-shaped marine mount has a V-shaped design providing high deflections for relatively low loads. This means that the natural frequency is low and ideal for engines which normally work at idle speed.

It has three different stiffness rates X,Y,Z which permits adjustments of system modes for optimal isolation and stability.

APPLICATIONS

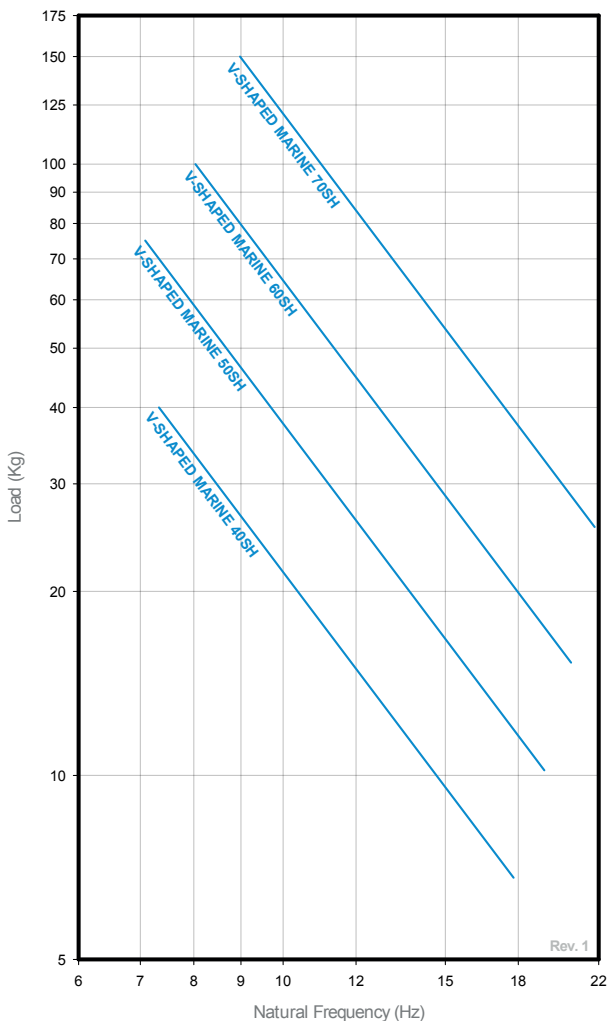
It is used in applications where the load of the suspended unit is low, and where high deflection is required to reach high vibration isolation levels.

Small vehicle or machines, small and medium sized gensets, marine engines,...

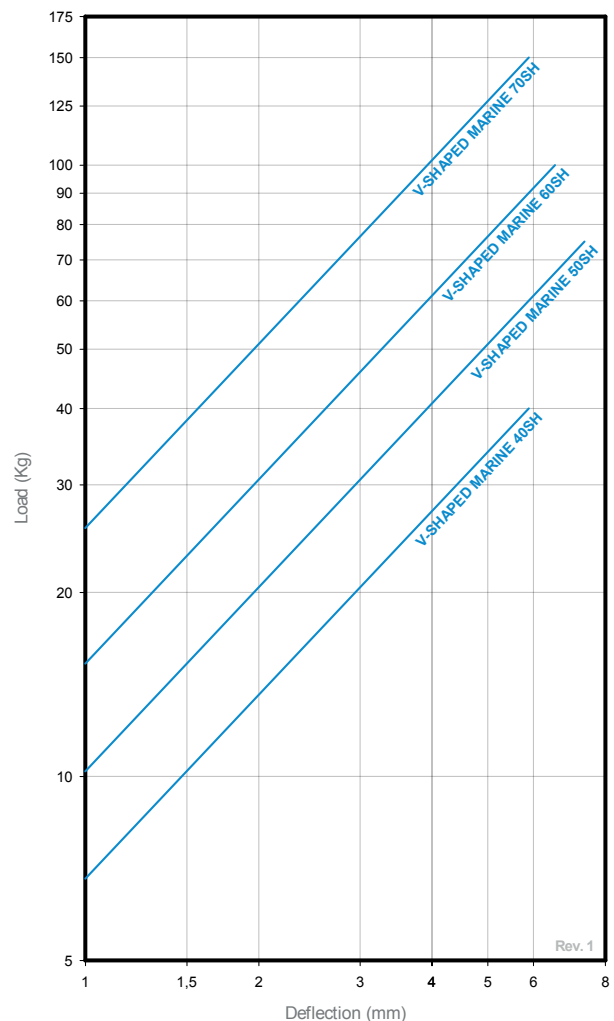


Type	Weight (gr.)	Code	Load (kg)	Shore
V-shaped marine	1720	148001	40	40 Sh
		148003	75	50 Sh
		148004	100	60 Sh
		148006	150	70 Sh

NATURAL FREQUENCY
AMC MECANOCAUCHO® V-SHAPED MARINE MOUNT



LOAD DEFLECTION GRAPH
AMC MECANOCAUCHO® V-SHAPED MARINE MOUNT



V-SHAPED GENERATOR MOUNT

DESCRIPTION

The V-shaped AMC MECANOCAUCHO® Generator supports are comprised of two symmetrically-tilted metal parts with a screw on each side.

TECHNICAL CHARACTERISTICS

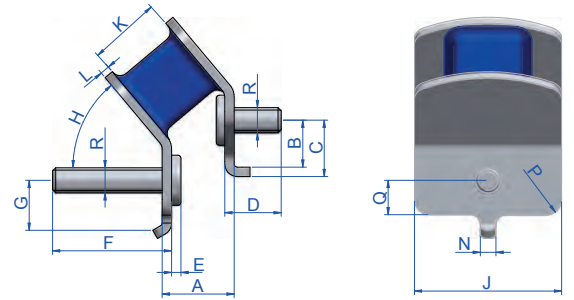
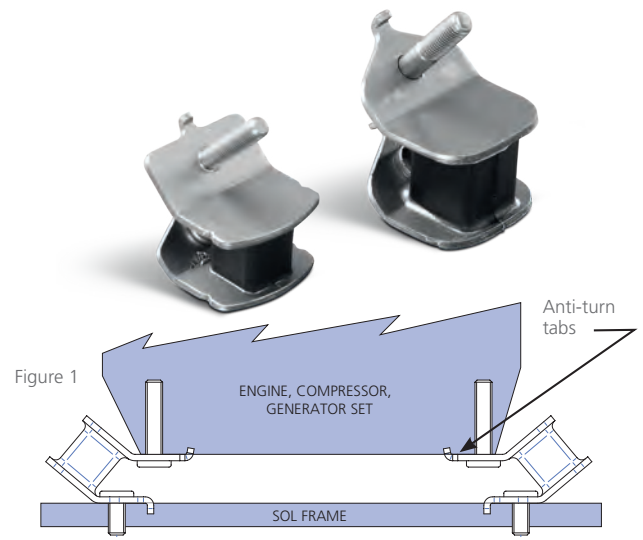
The V-shaped generator mounts render it possible to make installations which are more elastic than the ones usually made with cylindrical or bobbing mounts. This makes it possible to achieve lower frequencies and consequently better vibration isolation.

- Stability is enhanced when two are installed, symmetrically opposed. See fig. 1.
- They have two different length screws which facilitate the assembly of the the engine to the chassis. The screws can be supplied in different lengths to order.
- They have two "anti-turn" tabs which stop the mount from turning when strong tightening torque is applied (very frequently) with pneumatic tools.
- They are supplied in 2 hardnesses to adapt to different load ranges.
- They provide vibration attenuation of above 90% in diesel or petrol single-cylinder engines running at 3000 rpm.

APPLICATIONS

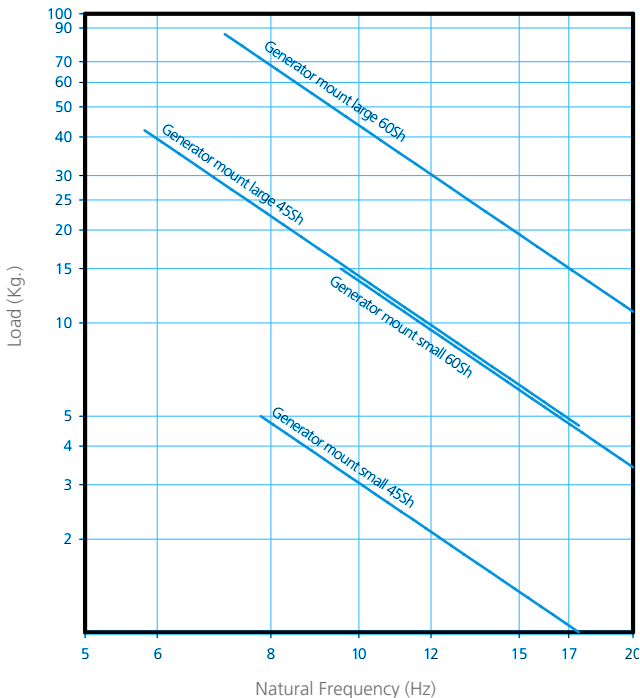
Very low-load engines requiring high levels of isolation.

Portable gensets, compressors, motor pumps...

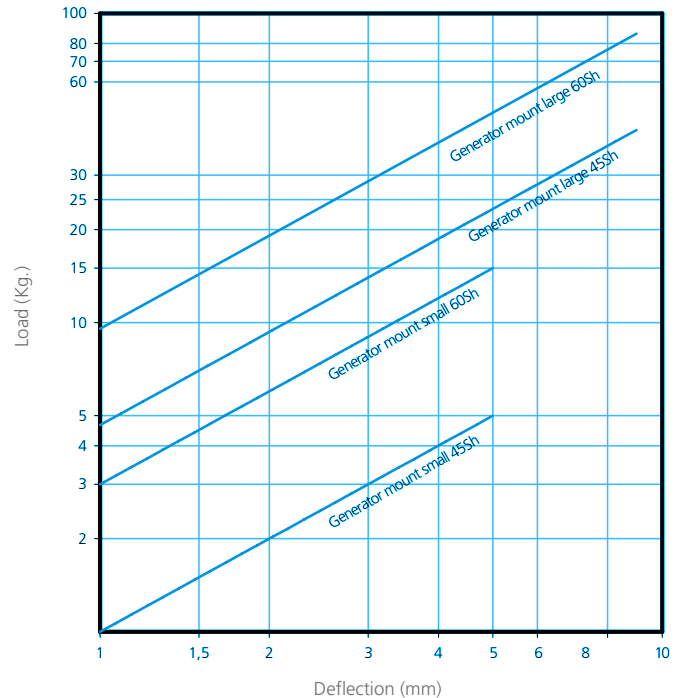


Type	A (mm)	B (mm)	C (mm)	D (mm)	E (mm)	F (mm)	G (mm)	H (°)	J (mm)	K (mm)	L (mm)	N (mm)	P (mm)	Q (mm)	Weight (gr.)	R (mm)	Code	Load (kg)	Shore
Small	23	14,5	18	18	3	38	15,9	50°	47	23	3	5	5	11	150	M8	148151	5	45 Sh
																	148153	15	60 Sh
Large	28	19,5	22	18	3	38	20	50°	54	31	3	7	10	16	205	M8	148171	40	45 Sh
																	148173	90	60 Sh

NATURAL FREQUENCY AMC MECANOCAUCHO® V-SHAPED GENERATOR MOUNT



LOAD DEFLECTION GRAPH AMC MECANOCAUCHO® V-SHAPED GENERATOR MOUNT



NP

DESCRIPTION

The AMC MECANOCAUCHO® NP mounts are composed of a metallic flange and a bush that are bonded to a high resilient rubber compound.

The AMC MECANOCAUCHO® NP mounts can be fitted with overload/rebound washers. This allows fail-safe installations. For this purpose we recommend using washer Ref. AMC: 608074 that has the following dimensions: 76 x 16.5 x 5mm.

The flange comes with four fixing holes and the inner bush allows up to 120 N/mm tightening torque.

TECHNICAL CHARACTERISTICS

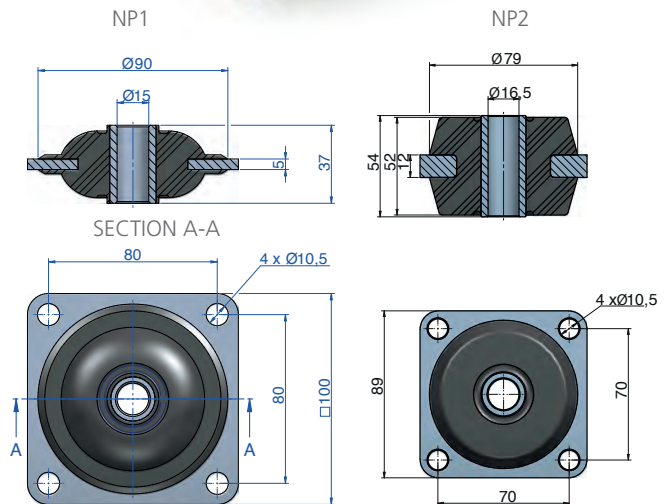
AMC MECANOCAUCHO® NP mounts can be applied in mobile applications when installed with overload/rebound washers.

AMC MECANOCAUCHO® NP mounts are available in several rubber hardnesses to suit the load range of the application.

APPLICATIONS

AMC MECANOCAUCHO® NP mounts are used for the effective noise and vibration isolation in the following applications:

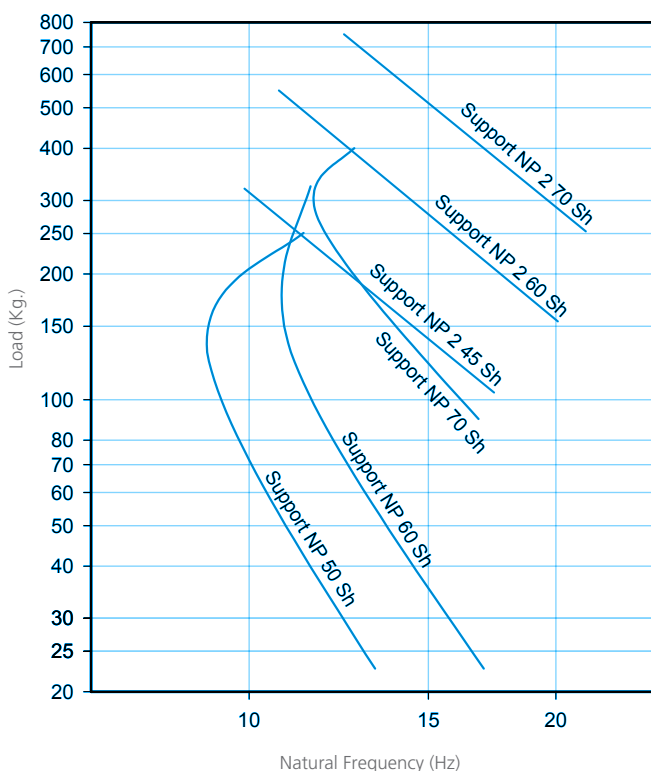
- Agricultural equipment
- Construction equipment machinery.
- Cranes.
- Forklift trucks.
- Multipurpose vehicles.



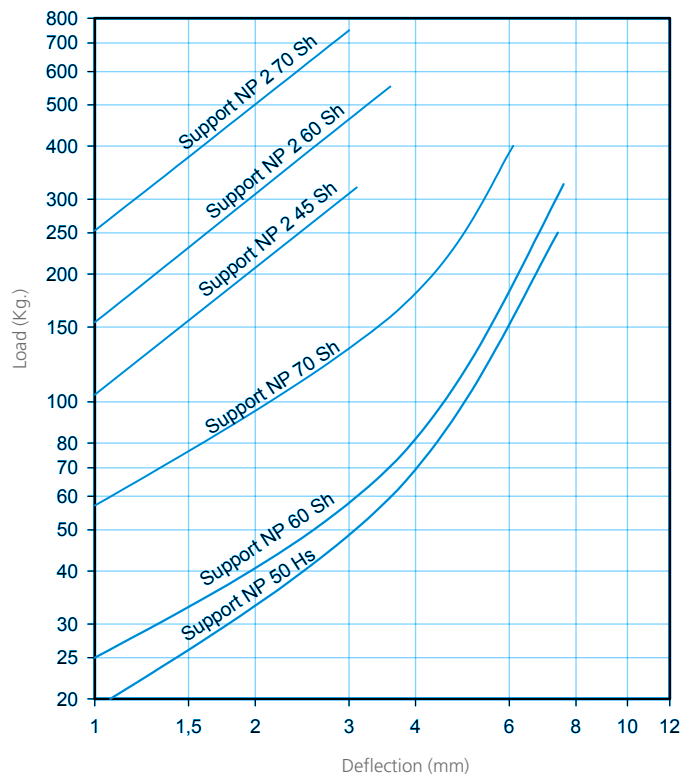
Type	Shore	Max. Load (kg)	Code
NP1	50Sh	250	138202
	60Sh	325	138201
	70Sh	400	138203
NP2	45Sh	320	138205
	60Sh	550	138206
	70Sh	750	138207

Type	Code
NP1 WASHER	608074
NP2 WASHER	608074

NATURAL FREQUENCY
AMC MECANOCAUCHO® TYPE NP



LOAD DEFLECTION CURVE
AMC MECANOCAUCHO® TYPE NP



SH

DESCRIPTION

Each mount consists of two heavy duty square outer plates with corner hole fixings fully bonded to circular profiled rubber layers separated by interleaf plates.

The AMC MECANOCAUCHO® type SH mounts provide high static and shock load capacities in compression with a minimum deflection, maintaining a low shear stiffness rate.

TECHNICAL CHARACTERISTICS

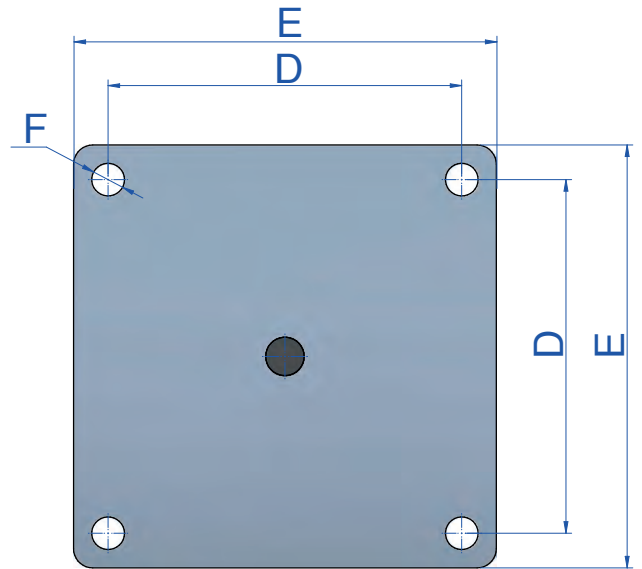
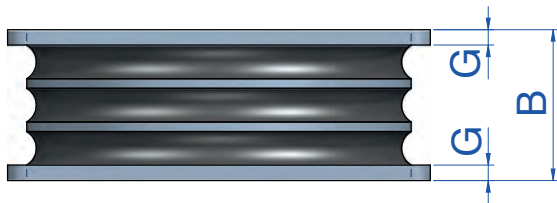
The AMC MECANOCAUCHO® type SH mounts are designed for long lasting heavy duty applications.

They can be supplied in 3 different hardness and 3 different sizes to suit applications where the compression load per mount is between 2 to 40 Tons.

APPLICATIONS

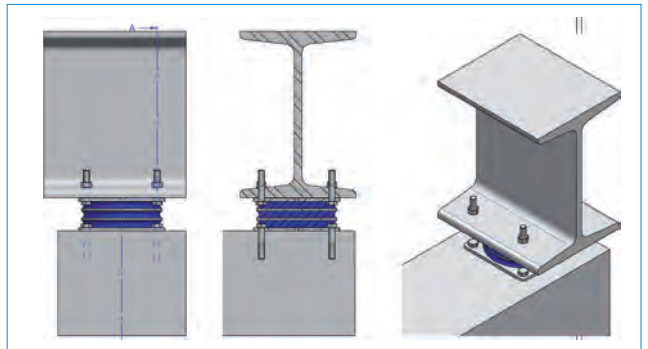
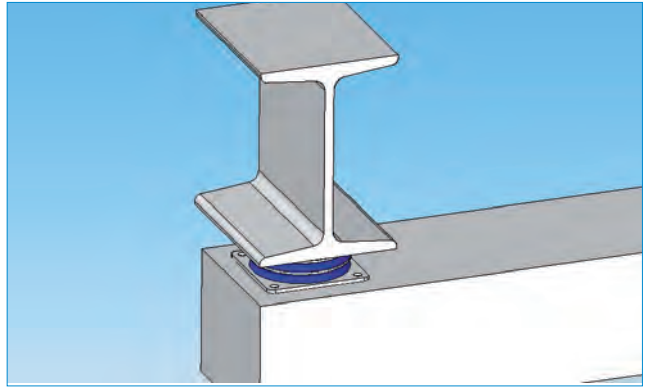
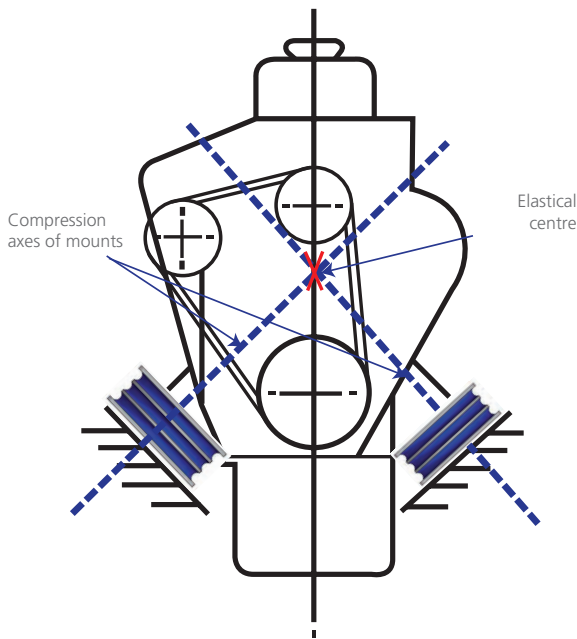
High compression capacity, low shear stiffness and relatively low installed heights make the mounts ideal for: Vibratory rollers, Mills, Presses, Heavy machinery, Feeder screens.

Due to their high load capacity these mounts are also used as point bearings for the vibration isolation of building structures.



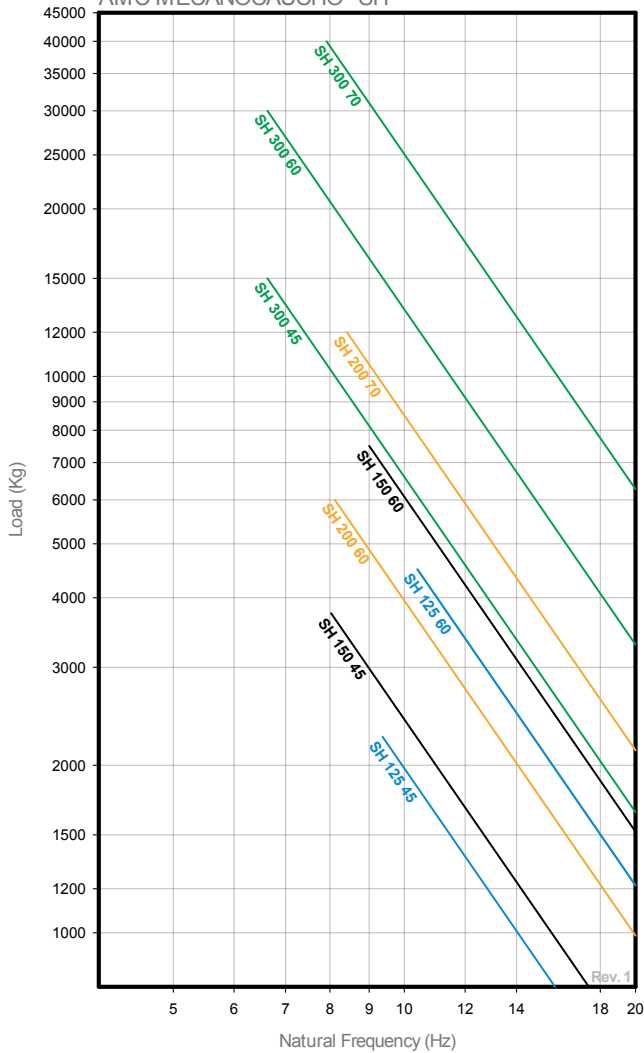
Type	B (mm.)	D (mm.)	E (mm.)	F (mm.)	G (mm.)	Weight (kg)	Code	Shore	Max. Load (kg)
SH 125	52	118	148	13,5	5	2,5	148213	45 Sh	2250
							148215	60 Sh	4500
SH 150	63	136	166	13,5	6	4,5	148201	45 Sh	3750
							148202	60 Sh	7500
SH 200	78,5	184	220	17	8	9	148204	45 Sh	6000
							148205	60 Sh	12000
SH 300	120	270	310	22	10	27	148207	45 Sh	15000
							148208	60 Sh	30000
							148209	70 Sh	40000

“VEE” INCLINED INSTALLATION CONFIGURATION

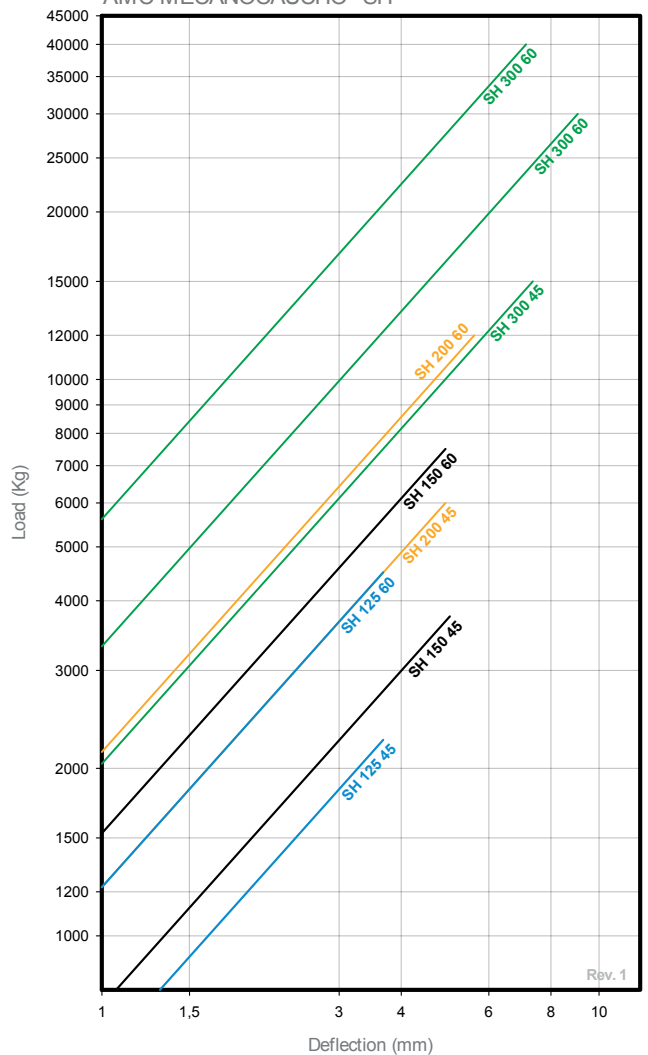


AMC MECANOCAUCHO® technical department can calculate a precise angle configuration in order to achieve an optimum compromise between isolation and stability of the suspended equipment

NATURAL FREQUENCY
AMC MECANOCAUCHO® SH



LOAD DEFLECTION GRAPH
AMC MECANOCAUCHO® SH



TRANSFORMER MOUNTS

DESCRIPTION

The AMC MECANOCAUCHO® TRANSFORMER MOUNT combines a spring and a TRANSFORMER MOUNT damper in a single compact unit. This mount is particularly useful for transformer where isolation is needed.

The internal architecture of the mount is composed of a system that bonds the rubber to both metal parts.

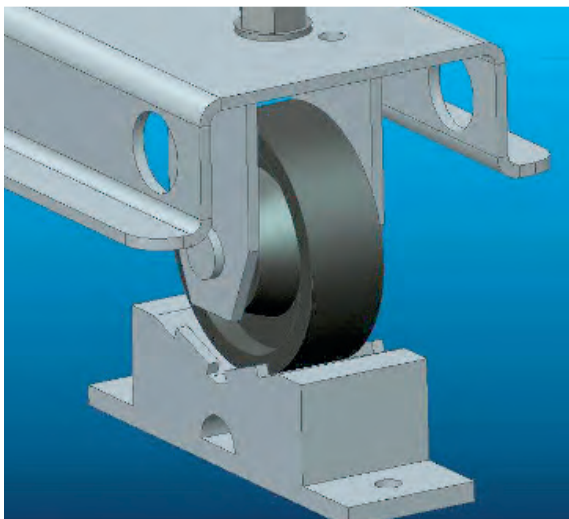
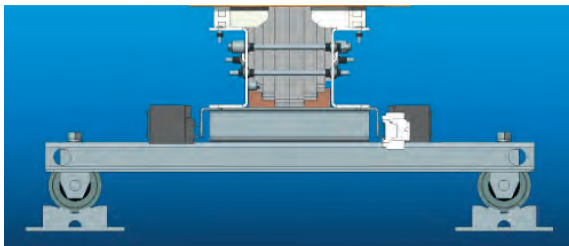
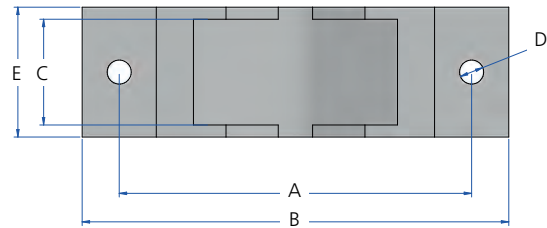
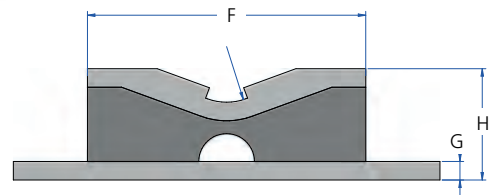
TECHNICAL CHARACTERISTICS

- The AMC MECANOCAUCHO® TRANSFORMER MOUNT incorporates resilient natural rubber specifically designed to last over time.
- The metal parts have a suitable anticorrosive treatment for outdoor applications.
- The load capacity shown in our catalogue is the maximum static values the transformer mount can support, with the capability of withstanding occasional extreme dynamic overload.

APPLICATIONS

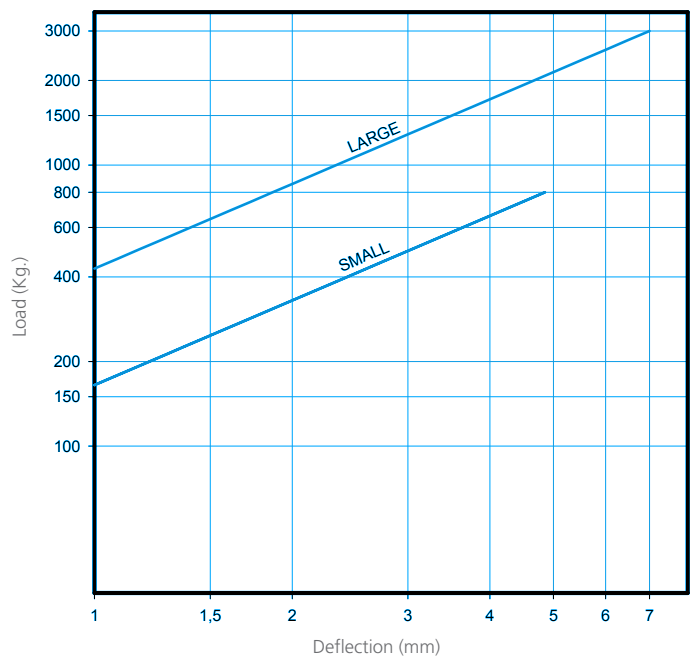
The AMC MECANOCAUCHO® mounts have been primarily designed as transformer mounts.

The shape of the upper metal plate allows for the accommodation of the transformer wheel. This characteristic permits an easy installation without any additional fastening system.



Type	A (mm)	B (mm)	C (mm)	D (mm)	E (mm)	F (mm)	G (mm)	H (mm)	Code	Weight (gr.)	Max. Load (kg)
Small	190	230	57	13	70	150	10	60	148301	2600	800
Large	290	330	88	13	100	250	10	70	148311	5800	3000

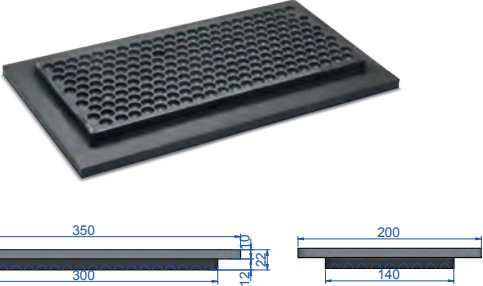
LOAD DEFLECTION GRAPH
AMC MECANOCAUCHO® TYPE TRANSFORMER MOUNT



MOUNTS FOR LARGE LOADS

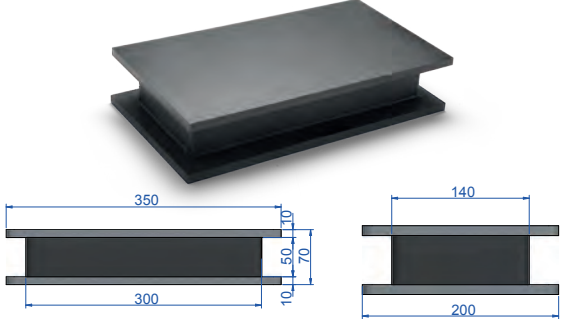
AMC MECANOCAUCHO® ANTI-SKID B

Type	Code	Load (Kg.)	Deflection mm.
ANTI-SKID B	141003	8.000	3



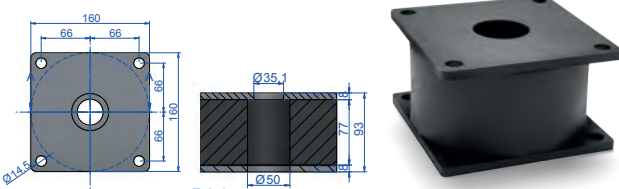

AMC MECANOCAUCHO® TYPE B

Type	Code	Load (kg)
Type B	141004	10000



AMC MECANOCAUCHO® TYPE P

Type	Code	Weight (kg)	Max. Load (kg)
Type P	141005	2.500	15



AMC MECANOCAUCHO® TYPE ANTI-SKID P

Type	Code	Deflection mm	Max. Load (Kg)
ANTI-SKID P	141006	400x400	6



SANDWICH ANTI VIBRATION MOUNTS

The AMC-MECANOCAUCHO® type Sandwich anti vibration mounts are ideal for static or mobile applications for loads ranging from 50 to 1500kg.

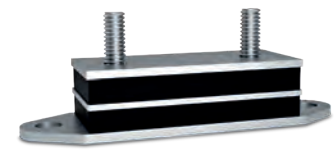
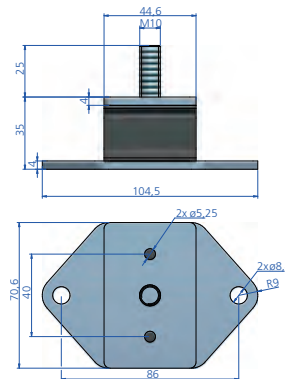
The Sandwich anti vibration mounts consists of three metal plates joined by two rubber blocks.

This is particularly interesting for mobile applications where the vertical movement has to be controlled.

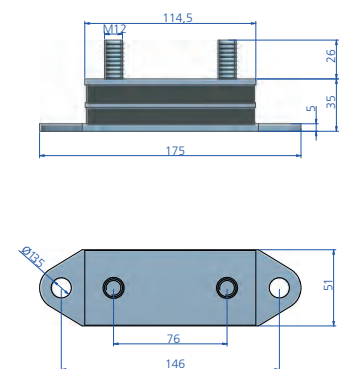
Type	Shore	Weight (kg)	Max. Load (kg)	Code
Sandwich-46x70x35	40Sh	0,332	80	180199
	55Sh	0,332	150	180187
Sandwich-175x51x35	45Sh	0,775	500	148189
	60Sh	0,775	1000	148190
	70Sh	0,775	1500	148191



Sandwich-46x70x35

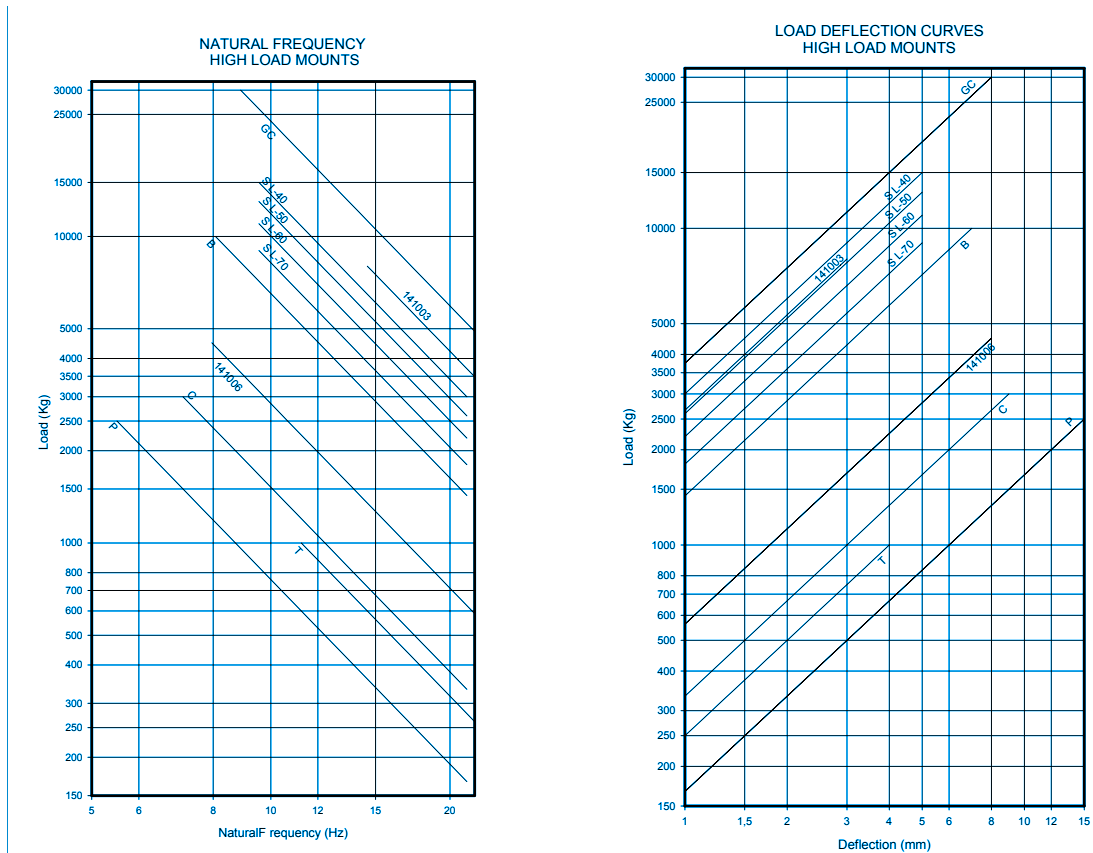
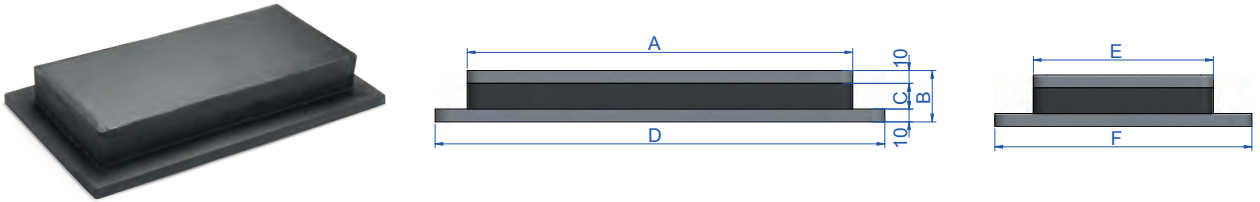


Sandwich-175x51x35



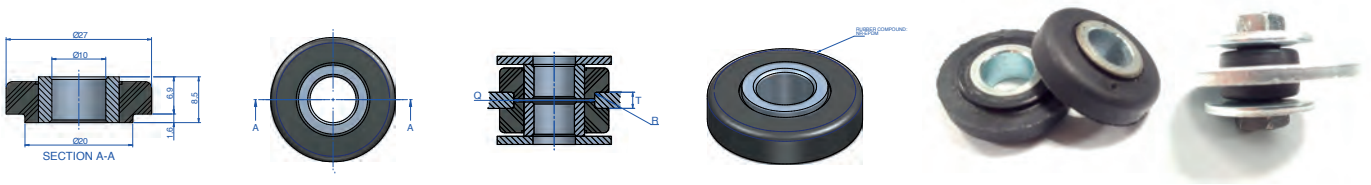
AMC MECANOCAUCHO® TYPE S

Type	A (mm.)	B (mm.)	C (mm.)	D (mm.)	E (mm.)	F (mm.)	Deflection mm.	Code	Max. Load (kg)
L-40	300	40	20	350	140	200	5	141021	15000
L-50	300	50	30	350	140	200	5	141022	13000
L-60	300	60	40	350	140	200	5	141023	11000
L-70	300	70	50	350	140	200	5	141024	9000



MECANOCAUCHO® TFS

The AMC-Mecanocaucho® TFS type anti vibration mounts are made of two symmetric moulded parts. They are designed to work in traction or compression providing a similar stiffness. When installed with metal washers they allow failsafe installations.



Type	Color Code	Shore	Q (mm)	T (mm)	Max. Load (kg)	R (mm)	Code
TFS 25	Yellow	45 Sh	20	4	10	1	138035

WASHERS

Washers are supplied on request.

Type	Weight (gr)	Øext (mm)	Øint (mm)	Thickness (mm)	Code
TFS 25	10	28,2	10,5	2	606185

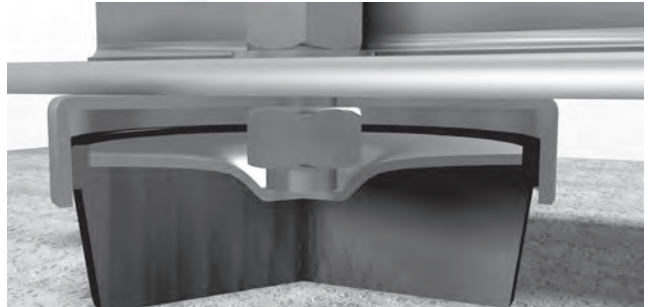
NF LEVELLING MACHINE MOUNTS

The N.F.-type AMC MECANOCAUCHO® mounts are used in cases where light or heavy machines should not be fixed to the floor or ground.

The height adjustment system can be used to adjust the machines to the required level, thus insulating from vibrations and reducing noise. The AMC MECANOCAUCHO® type NF comes with a tilting system allowing optimum adaptation to all surfaces.

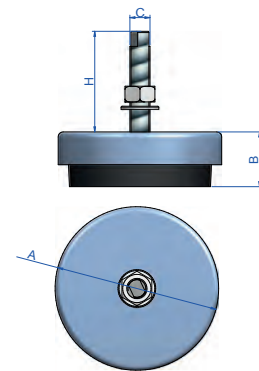
The elastomer used is a mixture of oil-resistant synthetic Nitrile Butadiene Rubber (NBR).

Height is adjusted by means of a screw, although this operation can even be performed once the machine has been assembled. The wide contact between the base of the machine guarantees good overall stability.



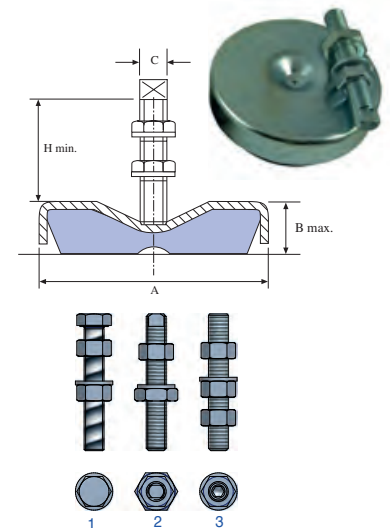
AMC MECANOCAUCHO® TYPE NF

Type	A (mm)	B mm Min	B mm Máx	B mm adjustment	Static load Nominal kg	Deflection mm	Weight (gr.)	Code	C	H Min (mm)	H Máx (mm)	Fig.
NF-65	65	27	34	7	320	2	349	142001	M-12x1,75	105	110	1
								142017	M-12x1,75	78	85	2
NF-85	85	33	46	13	650	2	732	142002	M-16x2	114	127	1
								142018	M-16x2	82	95	2
NF-100	100	35	48	13	980	2	960	142003	M-16x2	120	130	1
								142019	M-16x2	82	95	2
NF-130	130	45	58	13	2500	3	1675	142004	M-20x2,5	130	140	1
								142023	M-16x1,5	67	80	2
								142028	M-16x1,5	99	112	2
NF-160	160	53	66	13	4000	3	3397	142005	M-20x2,5	130	140	1
								142024	M-20x1,5	62	75	2
								142026	M-20x1,5	135	145	2
								142006	M-24x3	158	176	1
NF-200	200	55	68	13	5000	3	4958	142025	M-24x1,5	158	176	2
								142027	M-24x1,5	81	94	2
NF-250	250	67	85	18	7000	3	8575	142007	M-30x2	153	176	1

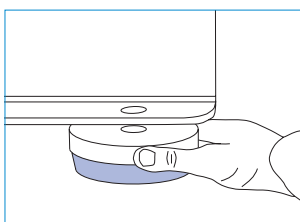


AMC MECANOCAUCHO® TYPE NFR

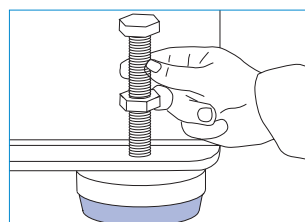
Type	A (mm)	B (mm)	C (mm)	H mm Min	Static load Nominal kg	Deflection mm	Fig.	Code	Weight (gr.)
NFR-85	85	33	M-16	100	650	2	2	142009	713
NFR-100	100	35	M-16	100	980	2	2	142010	929
NFR-130	130	45	M-20	130	1350	3	3	142011	1832
NFR-160	160	53	M-20	130	2500	3	3	142012	3330
NFR-200	200	55	M-24	140	3700	3	1	142013	4924



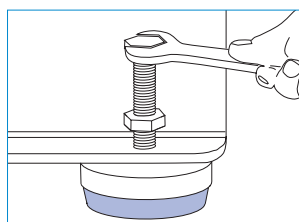
INSTALLATION INSTRUCTIONS



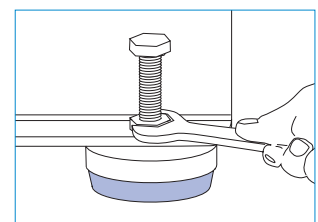
Lift the machine and insert the mount under it.



Insert and turn the screw manually until it slots into place.



Adjust the height of the machine by turning the screw.



Block using the checknut.

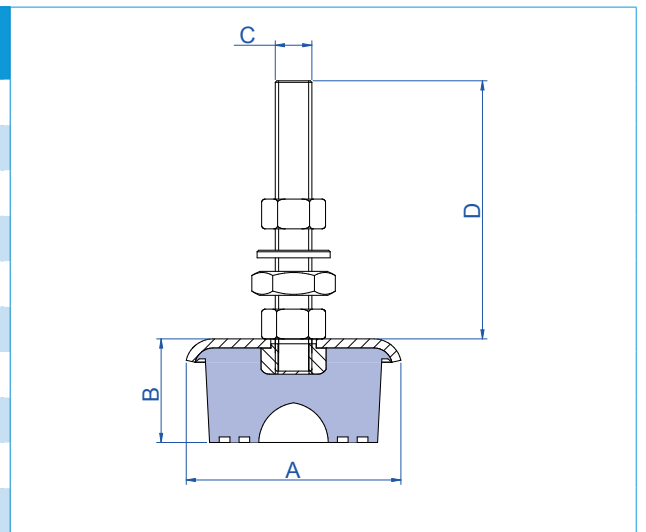
SV

APPLICATIONS

The SV-type AMC MECANOCAUCHO® mounts are used in cases where light or heavy machines are not fixed to the floor or ground. The height adjustment system can be used to adjust the machines to the required level, thus insulating areas nearby from vibrations and reducing noise.



Type	A (mm)	B (mm)	C (mm)	D (mm)	Load kg min.	Load kg max.	Code	Weight (gr.)
000	45	23	M-8	48	20	80	143001	91
00	60	28	M-10	81	60	120	143002	235
0	70	34	M-12	89	90	160	143003	350
1	85	32	M-12	89	130	350	143004	456
2	100	40	M-14	109	270	600	143005	702
3	120	37	M-16	116	450	900	143006	954
4	140	55	M-16	116	700	1200	143007	1513
5	160	60	M-16	116	1100	1750	143008	1865
6	180	70	M-24	138	1500	2500	143009	3034
7	210	75	M-24	138	2100	3750	143010	4248

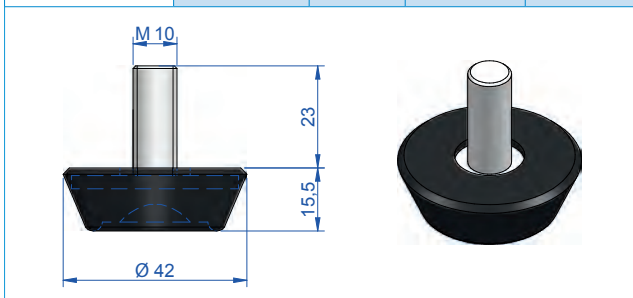


* Can be supplied in stainless steel.

AMC MECANOCAUCHO® TYPE JT

APPLICATIONS: Levelling machine mounts

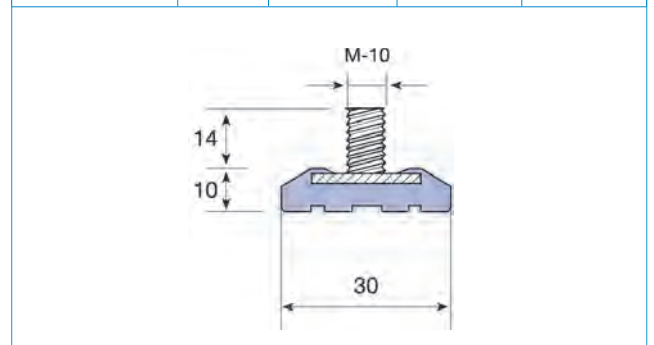
Type	Code	Load (kg)	Weight (gr.)	Shore
JT Type	144001	25-40	53	50 Sh
	144002	75-100	53	75 Sh



AMC MECANOCAUCHO® TYPE SX

APPLICATIONS: Levelling machine mounts

Type	Shore	Code	Load (kg)	Weight (gr.)
SX Type	50 Sh	145001	10-25	25



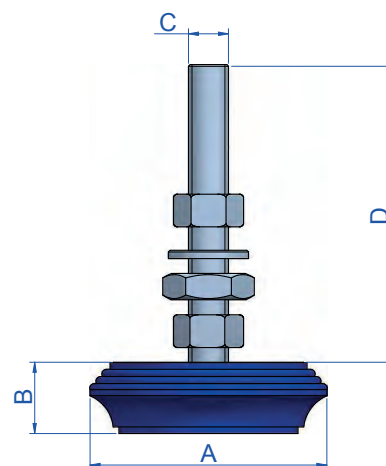
LOW SV

APPLICATIONS

The LOW SV-type AMC MECANOCAUCHO® anti vibration mounts are used in cases where light or heavy machines are not fixed to the floor or ground. The height adjustment system can be used to adjust the machines to the required level, thus insulating areas nearby from vibrations and reducing noise.



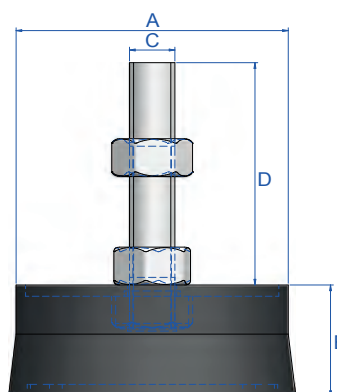
Type	A (mm)	B (mm)	C (mm)	D (mm)	Load kg min.	Load kg max.	Code	Weight (gr.)
000 B	43	16	M-8	45	40	80	147000	257
00 B	60	18	M-10	81	60	120	147001	334
0 B	70	20	M-12	89	90	160	147002	286
1 B	84	25	M-12	88	130	350	147003	382
2 B	100	20	M-14	109	270	600	147004	574
3 B	120	25	M-16	116	450	900	147005	867
4 B	140	33	M-16	116	700	1200	147006	1300
5 B	160	36	M-16	116	1100	1750	147007	1556
00 B STAINLESS STEEL	60	18	M-10	81	60	120	147014	334
0 B STAINLESS STEEL	70	20	M-12	89	90	160	147013	286
1 B STAINLESS STEEL	85	25	M-12	89	130	350	147012	382
2 B STAINLESS STEEL	100	20	M-14	109	270	600	147015	574
3 B STAINLESS STEEL	120	25	M-16	116	450	900	147011	867
4 B STAINLESS STEEL	140	33	M-16	116	700	1200	147016	1300
5 B STAINLESS STEEL	160	36	M-16	116	1100	1750	147017	1556



AMC MECANOCAUCHO® TYPE SM

APPLICATIONS: Levelling machine mounts.

Type	A (mm)	B (mm)	C (mm)	D (mm)	Load kg max.	Code	Weight (gr.)
S.M.-40	40	18	M-8	48	45	146001	79
S.M.-60	65	28	M-12	89	150	146002	307
S.M.-70	75	29	M-12	89	250	146003	363
S.M.-90	95	30	M-12	89	500	146004	573
S.M.-120	125	31	M-16	116	1000	146005	904

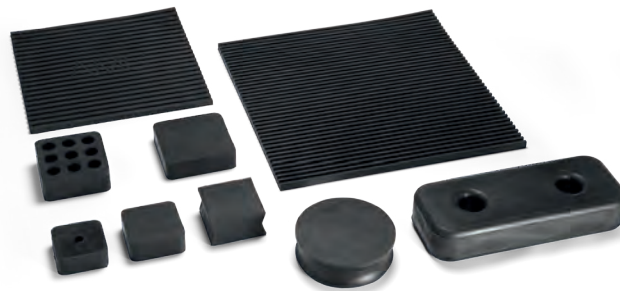


RUBBER BLOCKS & MATS AMC MECANOCAUCHO®

There are different mats, in different sizes, rubber grades and hardnesses. The most classic use is for damping high frequency vibrations without the need for any anchoring.

The user cuts them to the relevant size and can apply them using an adhesive, or simply by placing them on the base of the machine. In cases where contact with oils is foreseen, this should be indicated on the order.

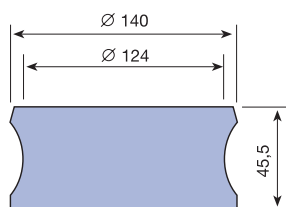
The mat will be more or less elastic or anti-skid, depending on the different models.



AMC MECANOCAUCHO® TYPE T

Type	Code	Load (kg)	Deflection mm	Weight (kg)
RUBBER BLOCKS AND MATS Type T	141001	1000	4	0,687

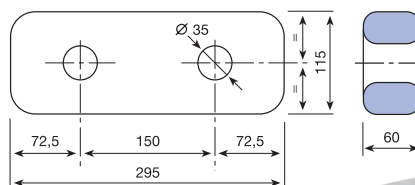
Deflection curve on page 77



AMC MECANOCAUCHO® TYPE C

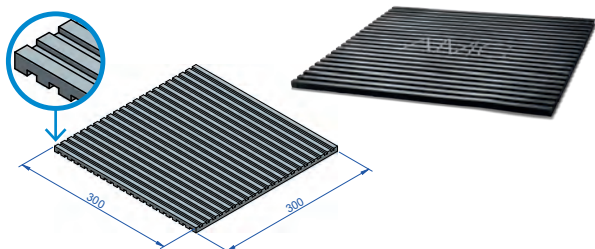
Type	Code	Load (kg)	Deflection mm	Weight (kg)
RUBBER BLOCKS AND MATS Type C	141002	3000	9	2,082

Deflection curve on page 77



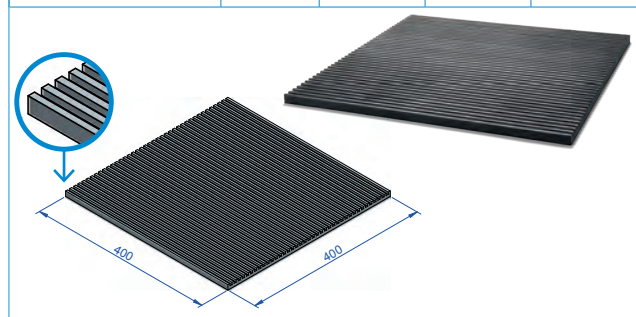
AMC MECANOCAUCHO® MAT 300x300

Type	Max. Load (Kg/cm ²)	Code	Weight (kg)	Thickness (mm)
RUBBER BLOCKS AND MATS 300 x 300	4	152001	0,521	8



AMC MECANOCAUCHO® MAT 400x400

Type	Max. Load (Kg/cm ²)	Code	Weight (kg)	Thickness (mm)
RUBBER BLOCKS AND MATS 400 x 400	6	152003	1,471	12



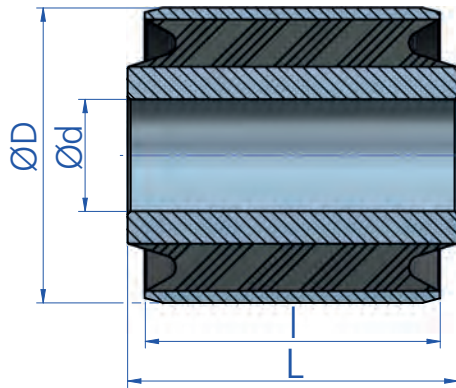
BLOCKS AMC MECANOCAUCHO®

These are square antivibration mounts which are ideal for installation without any type of attachment or anchoring.

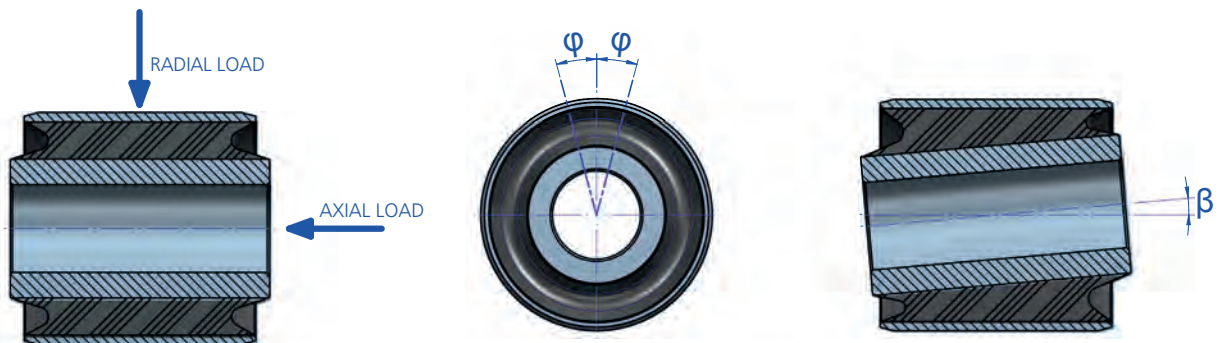


	Type	A (mm)	B (mm)	Load kg MIN	Load kg MAX	Fig.	Code	Weight (kg)
	G-060	70	30	180	300	1	152005	0,16
	G-070	80	30	350	600	1	152006	0,218
	G-090	100	40	200	500	1	152008	0,359
	G-110	110	30	1600	3000	1	152009	0,4
	G-080	80	50	200	500	2	152007	0,313

AMC MECANOCAUCHO® BUSHINGS



Type	d (mm)	D (mm)	l (mm)	L (mm)	Weight (kg)	Torsion Mt max (Nm)	Angle Torsion φ max (°)	Conical Angle max β (°)	Axial load Fa max (N)	Axial load Sa max (mm)	Radial load Fr max (N)	Radial load Sr max (mm)	Code
BUSHINGS	10	22	25	30	0,034	7	10	3	500	0,9	1875	0,25	154005
	10	22	30	32	0,038	9	10	2	600	0,9	2250	0,25	154006
	10	25	20	25	0,60	8	10	3	250	1	2000	1	154168
	12	30	28	34	0,064	10	15	2	580	1,7	1750	0,55	154103
	12	32	55	59	0,131	19	16	2	1200	1,7	7000	0,65	154077
	12	40	40	60	0,198	16	20	3	450	1,8	1200	1	154104
	12.20	46.4	52	60	0,264	33	25	3	1100	2,6	3000	0,85	154086
	14	27	40	45	0,08	20	10	2	935	1,3	4400	0,35	154107
	16	32	22	30	0,073	14	10	3	750	1,3	1800	0,35	154080
	18	36	48,5	58,5	0,161	35	10	2	1420	1,6	7350	0,45	154021
	20	45	35	40	0,152	45	15	2	1600	4,8	5800	1,4	154133
	20	45	64	70	0,285	55	15	2	2200	2,5	10000	0,85	154073
	24	45	44	55	0,265	55	11	3	1840	1,8	8650	0,6	154082
	25	50	50	56	0,261	34	6,6	2	2900	3	10000	1	154040
	25	50	80	85	-	49	14	2	7500	7,8	18000	1,7	154044
	32	66	47	55	0,517	77	15	3	2450	3,9	8400	1,3	154079
	40	70	55	65	0,616	138	12	3	3320	3,6	20500	1,2	154043
	45	75	90	100	0,956	320	10	2	6300	3,1	35000	0,9	154075
	45	80	45	45	0,522	80	11	4	1500	3,3	7800	2,3	154091
	50	80	100	110	1,4	450	9	1	7800	2,8	55000	0,85	154061



LOADS

TORSIONAL ANGLE

CONICAL ANGLE

ELASTOMERIC SPRINGS

DESCRIPTION

The AMC-MECANOCAUCHO® type Elastomeric Spring anti vibration mounts are ideal for those applications where high vibration isolation is required. Its specific design allows this mount to have high deflection. This feature is particularly useful on those applications where vibration in the vertical sense is predominant.

TECHNICAL CHARACTERISTICS

The damping properties of the rubber allow to provide a higher motion control of the suspended element. The optimal corrosion properties allow this mount to resist to aggressive corrosion environments.

APPLICATIONS

The AMC-MECANOCAUCHO® Elastomeric Spring anti vibration mounts are used in applications where a high degree of isolation is required and also motion control of the suspended element is required, such as : vibrating tables, vibration feeders or suspension of industrial vehicles.

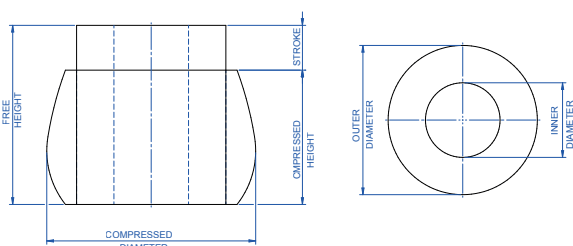
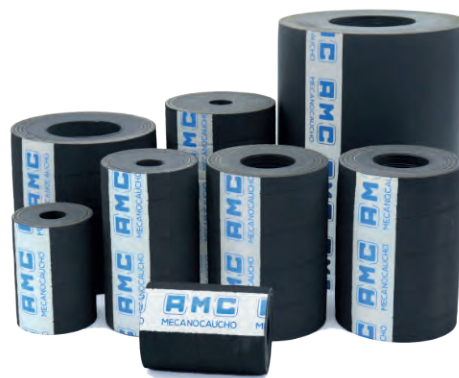


RSFF 125 142		RS 110 132		RSF 110 132		RSF 55 55	
Type	Code	Weight (kg)	Shore	Load max.	Max. Shock		
RSFF 125 142	180251	1,953	55 Sh	1150 Kg	-		
RS 110 132	180185	0,939	60 Sh	450 Kg	1200 Kg		
RSF 110 132	180234	1,072	60 Sh	450 Kg	1200 Kg		
RSF 55 55	180177	0,123	65 Sh	60 Kg	120 Kg		

REINFORCED ELASTOMERIC SPRINGS

These fabric and rubber springs will provide a long life, greater productivity, fast replacement time and virtually maintenance free operation.

They can be used as a replacement for steel coil springs or an additional anti-vibration device. Unlike coil springs they will not deteriorate in humid or corrosive environments.



Type	Øext (mm)	Øint (mm)	Free Height (mm)	Load kg min.	Compressed Height kg min. (mm)	Freq. Hz. min. Load	Load kg max.	Compressed Height kg max (mm)	Freq. Hz. max. Load	Code
Reinforced elastomeric springs	41,3	16	44,5	48	38	3,72	120	32	7	171322
	41,3	16	89	49	75	4,08	100	64	3,92	171323
	76	25	102	192	86	3,99	409	74	4,52	171300
	89	25	152	250	130	3,21	513	112	3,28	171303
	102	50	152	284	130	3,21	569	112	3,14	171302
	114	50	152	483	130	3,37	968	114	3,4	171304
	114	25	178	636	152	3,23	1253	133	3,34	171305
	127	25	178	663	152	3,87	1525	129	4,05	171306
	140	50	178	746	152	3,4	1714	129	3,07	171309
	152	76	152	745	130	3,42	1799	112	3,2	171307
	165	76	203	890	173	3,03	1883	152	3,14	171308
	152	25	152	1018	130	3,9	2489	112	3,77	171310
	191	89	203	1143	173	2,3	2815	147	3,24	171314
	191	89	254	1138	216	2,66	2668	184	2,96	171315
203	50	203	1407	173	3,56	3863	152	3,15	171316	
279	51	152	3718	130	3,66	9070	110	3,40	171320	

SN ANTI VIBRATION MOUNTS

APPLICATIONS

It is a support used in multiple applications, but primarily in marine engines whose excitation frequency is less than or close to 1000 rev/min.



Type	Deflection mm	Weight (kg)	Shore	Max. Load (kg)	Code
SN	9	2,61	45 Sh	180	139001
	8	2,61	60 Sh	240	139002

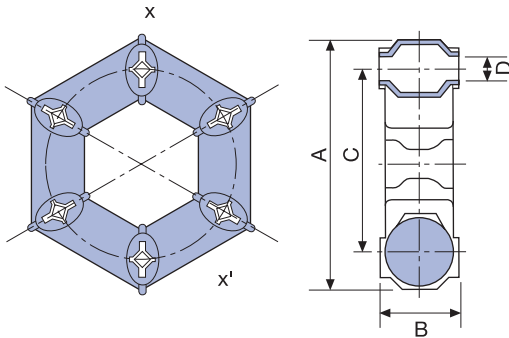
* AMC S.A. reserves the right to modify the design and manufacture of the materials presented in this catalogue without prior notice.

AMC MECANOCAUCHO® ELASTIC COUPLINGS



AMC MECANOCAUCHO ELASTIC COUPLINGS FLECTOR

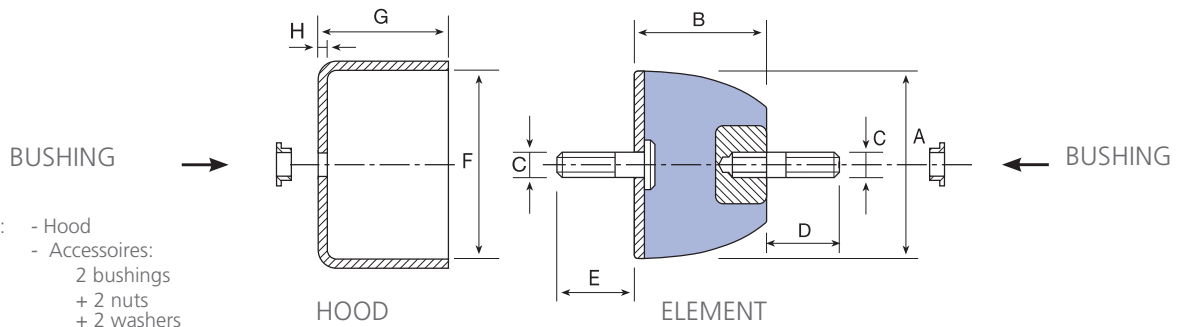
X-X' SECTION



Type	A (mm)	B (mm)	D (mm)	C installed	C free	R.P.M. max.	Code	Weight (kg)	nominal torque m kg
Flector 4MKG	91	28	8	65	75	6000	160201	0,227	4
Flector 9MKG	117	32	10	85	96	5000	160202	0,334	9
Flector 16MKG	142	46	12	100	110	4500	160203	0,839	16
Flector 25MKG	181	51	14	132	146	3500	160204	1,002	25
Flector 35MKG	202	54	18	150	170	3000	160205	1,412	35
Flector 50MKG	232	62	20	170	195	2800	160206	2,32	50
Flector 70MKG	263	68	20	190	216	2400	160207	3,309	70

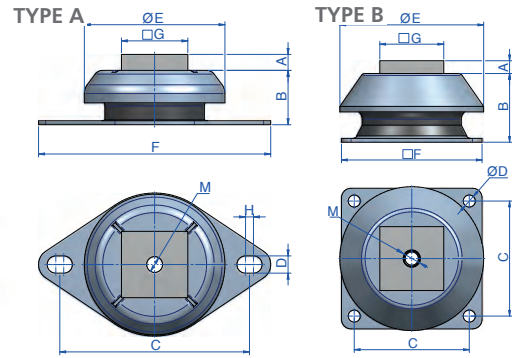
AMC MECANOCAUCHO® TYPE DP

Type	Code	Force kg	A (mm)	B (mm)	C (mm)	D (mm)	E (mm)	F (mm)	G (mm)	H (mm)	Weight (kg)
ELEMENT DP-2	160241	174	84	52	M-12	30	35	84,5	50	3	0,75
ELEMENT DP-4	160242	300	120	75	M-16	44	49	120	75	5	1,777
ELEMENT DP-6	160243	1000	220	137	M-24	80	80	20	133	10	-
HOOD DP-2	160251	174	84	52	M-12	30	35	84,5	50	3	0,416
HOOD DP-4	160252	300	120	75	M-16	44	49	120	75	5	1,461
HOOD DP-6	160253	1000	220	137	M-24	80	80	20	133	10	-
BUSHING DP-2	160261	174	84	52	M-12	30	35	84,5	50	3	-
BUSHING DP-4	160262	300	120	75	M-16	44	49	120	75	5	0,249
BUSHING DP-6	160263	1000	220	137	M-24	80	80	20	133	10	-



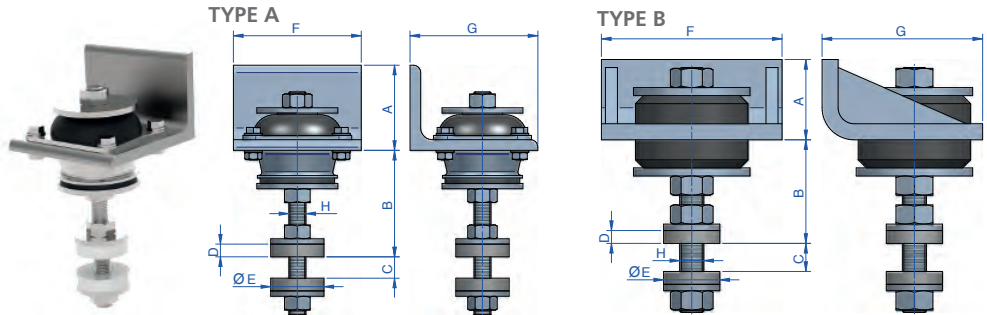
- * OPTIONS:
- Hood
 - Accessoires:
 - 2 bushings
 - + 2 nuts
 - + 2 washers

SFC MARINE EXHAUST MOUNTS



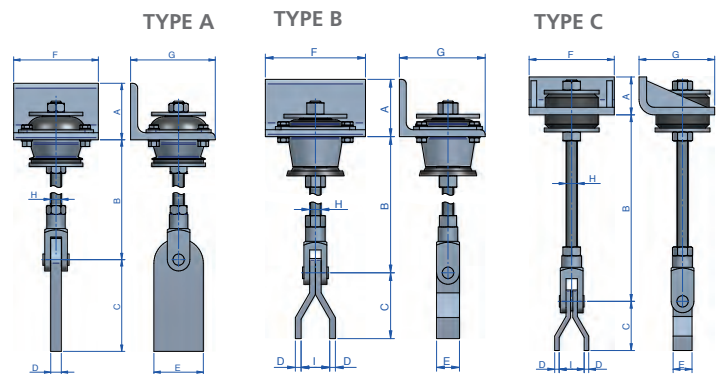
Type	A (mm)	B (mm)	C (mm)	D (mm)	E (mm)	F (mm)	G (mm)	H (mm)	M	Shore	Max. Load (kg)	Code
Type A	12	34	123,2	10	92	150	50	4,4	M12	60 Sh	270	709301
	12	41	143	13	106	175	50	6	M12	60 Sh	420	709305
	12	53,5	182	14,5	156	218	90	6	M16	60 Sh	800	709311
Type B	12	105	180	19	230	220	90	-	M24	60 Sh	3400	709315

SFT MARINE EXHAUST MOUNTS



Type	A (mm)	B (mm)	C (mm)	D (mm)	E (mm)	F (mm)	G (mm)	H (mm)	Shore	Max. Load (kg)	Code
Type A	50	51,5	20	12	50	110	100	M12	45 Sh	75	709201
	50	51,5	20	12	50	110	100	M12	60 Sh	140	709205
	50	51,5	20	12	50	110	100	M12	45 Sh	100	709211
	50	51,5	20	12	50	110	100	M12	60 Sh	180	709215
	80	80	40	12	50	120	120	M16	40 Sh	140	709221
	80	80	40	12	50	120	120	M16	60 Sh	300	709225
	80	80	40	12	50	120	120	M16	60 Sh	500	709231
	80	80	40	12	50	120	120	M16	70 Sh	750	709235
	100	100	50	12	50	175	150	M20	45 Sh	900	709241
100	100	50	12	50	175	150	M20	60 Sh	1250	709245	
Type B	100	120	50	12	70	225	200	M30	60 Sh	2000	709251

ST MARINE EXHAUST MOUNTS



Type	A (mm)	B (mm)	C (mm)	D (mm)	E (mm)	F (mm)	G (mm)	H (mm)	I (mm)	Shore	Max. Load (kg)	Code
Type A	50	325	118	10	50	110	100	M12	-	45 Sh	75	709101
	50	325	118	10	50	110	100	M12	-	60 Sh	140	709105
	50	325	118	10	50	110	100	M12	-	45 Sh	100	709111
	50	325	118	10	50	110	100	M12	-	60 Sh	180	709115
	80	477	130	15	70	120	120	M16	-	40 Sh	140	709121
	80	477	130	15	70	120	120	M16	-	60 Sh	300	709125
	80	477	130	15	70	120	120	M16	-	60 Sh	500	709131
	80	477	130	15	70	120	120	M16	-	70 Sh	750	709135
Type B	100	485	115	10	40	175	150	M20	50	65 Sh	1100	709141
100	485	115	10	40	175	150	M20	50	75 Sh	1570	709145	
Type C	100	500	130	12	50	225	200	M30	66	60 Sh	2000	709151

WIRE ROPE ANTI VIBRATION MOUNT



DESCRIPTION

AMC-MECANOCAUCHO® Wire Rope Mounts consist in two aluminium discs linked by several toric winding made out of a stainless steel cable.

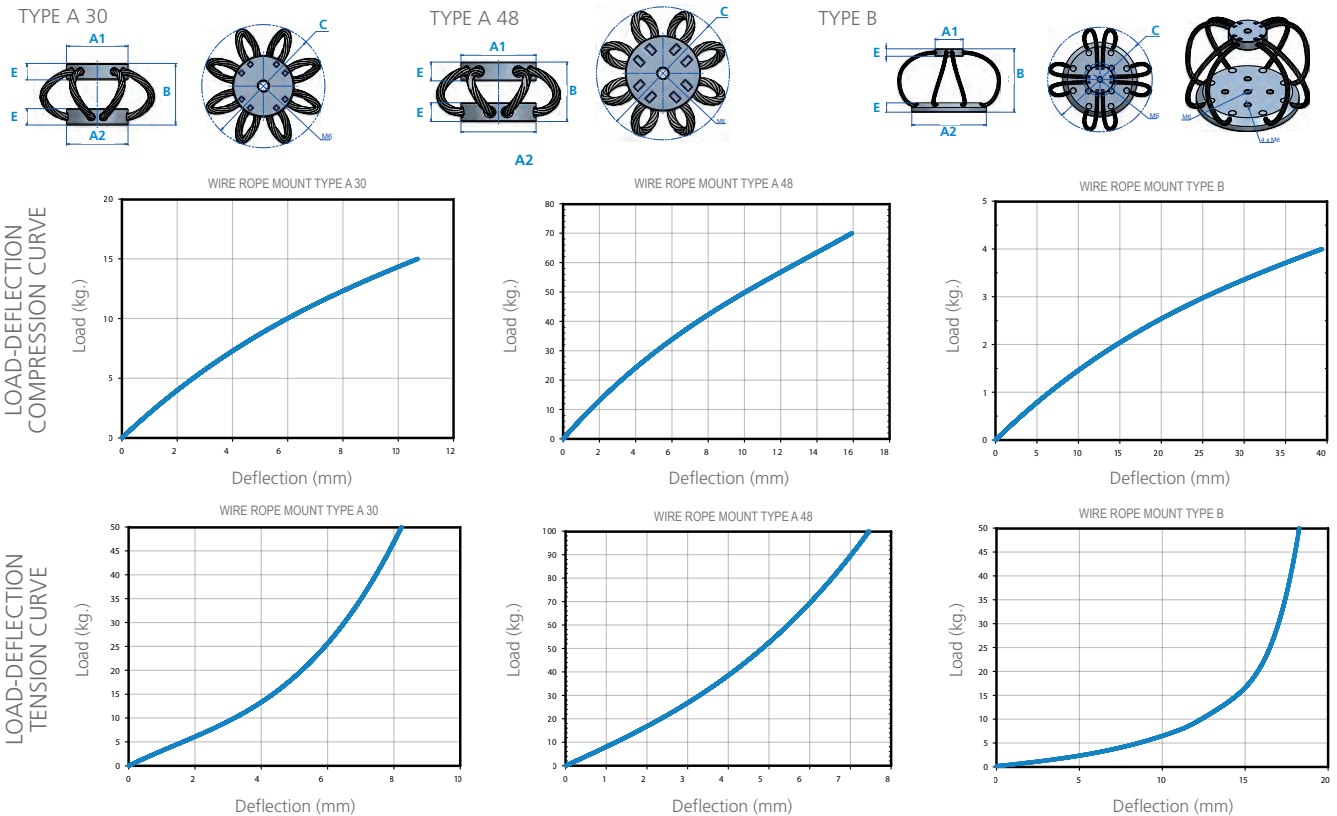
The assembly of this mounting is very simple due to its compact and symmetric design, providing a constant radial stiffness in all directions. This feature makes unnecessary the radial alignment of the mount.

APPLICATIONS

AMC-MECANOCAUCHO® Wire Rope Mounts, due to their low stiffness, are specially suitable for applications where small static loads are involved and high isolation level is required.

Moreover, these mounts assure the stability of the suspended equipment by limiting the deflection that can be achieved, both in compression and tension, as well as in radial direction. These features make Wire Rope Mounts suitable to be subject to shock inputs.

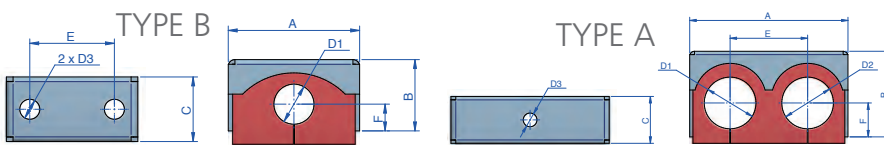
The materials in which these mounts are made protect the Wire Rope Mounts against aging and corrosion.



Type	Maximum static load (Kg)	Maximum Total Load (N)	Code
TYPE A 30	6	150	171200
TYPE A 48X38	28	700	171202
TYPE A 48X50	18	350	171203
TYPE B	2	40	171201

AKUSTIK PIPE + SYLOMER®

AMC-MECANOCAUCHO® Akustik Pipes are specially suitable for applications where rigid or flexible pipes must be isolated, both for static and dynamic applications.



Type	A (mm)	B (mm)	C (mm)	D1 (Min.)	D2 (Max.)	E (mm)	F (mm)	D3 (Max.)	Code
Type A	70	34,5	29	15	18	36	15	8,5	23872
	70	34,5	29	18	18	36	15	8,5	23873
	82	42	29	21,2	24,3	43	15	8,5	23874
	70	34,5	29	22	22	36	13	8,5	23871
	98	51,5	29	28	28	48	21	8,5	23876
	98	51,5	29	32	32	48	21	8,5	23875
Type B	59	32	29	18	-	38	12	9	23877

AMC MECANOCAUCHO® BOBBINS

DESCRIPTION

The AMC MECANOCAUCHO® Bobbins are devices for making elastic anchorings or fixings. They can be used in a wide variety of applications, particularly for elastic suspensions and antivibration isolation of machines and different mechanical organs.

They are made of a block of rubber with two parallel metal parts at the end which enable it to be fixed either by screws in the "C" model or with nuts in the "A" model or a combination of both in the "B" model.

The rubber block may be cylindrical in cases requiring greater load capacity or as a diabolo when greater elasticity is required in all directions.

OPERATION AND ASSEMBLY

Its elasticity is much greater in all the directions parallel to the armatures than in the perpendicular direction. The rubber works based on compression or shear depending on the direction it is placed at installation time. This direction is made according to the use and the objective.

It is therefore installed with nuts or screws depending on the model chosen, with one part attached to the fixed chassis and the other to the machine to be suspended.

TECHNICAL CHARACTERISTICS

Depending on the size of the rubber block, the AMC MECANOCAUCHO® bobbing has more or less elasticity, which is greater particularly in all directions perpendicular to its axis (shear).

The AMC MECANOCAUCHO® bobbing thus makes it possible to make joints which permit major relative movements, up to several millimetres (in the case of heat expansion, chassis deformations, etc.).

The AMC MECANOCAUCHO® bobbing serves very well for the vibration isolation of machines where the vibrations are perpendicular to their axis, unless these stresses are too much when applied in this direction.

ADVANTAGES

- Easy to install.
- High elasticity (particularly transversal).
- Economical.

APPLICATIONS

The AMC MECANOCAUCHO® bobbins are particularly suitable for installation on small motor-pumps, motor-ventilators, driers, sieves, compactors, washing machines, electrical motors, on-board control panels, measuring apparatuses, control cabinets, microphones, fluorescent tubes, etc.



AMC MECANOCAUCHO® BOBBINS TYPE A

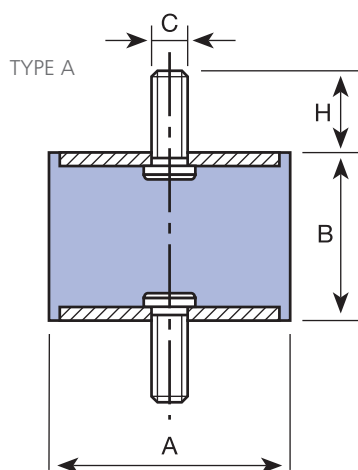
OPERATION AND ASSEMBLY

Their elasticity is much greater in all the directions parallel to the armatures than in the perpendicular direction. The rubber works based on compression or shear depending on the direction it is placed in at installation time. This direction is made according to the use and the objective.

It is therefore installed with nuts or screws depending on the model chosen, with one part attached to the fixed chassis and the other to the machine to be suspended.

APPLICATIONS

The AMC MECANOCAUCHO® bobbins are particularly suitable for installation on small motor-pumps, motor-ventilators, driers, sieves, compactors, washing machines, electrical motors, on-board control panels, measuring apparatuses, control cabinets, microphones, fluorescent tubes, etc.



Type	Code	A (mm)	B (mm)	C (mm)	H (mm)	Weight (kg)	Compression load max. dan	Compression deflect. mm	Shear load max. dan	Shear deflect. mm
BOBBINS TYPE A 12-25	120001	12,5	10	M-5	10	0,006	12	2	1,5	1,5
	120002	12,5	15	M-5	10	0,007	10	3	1,5	2
	120003	12,5	20	M-5	10	0,008	8	3,5	1,5	4
	120011	16	10	M-5	12	0,01	20	1,5	2,5	1,5
	120012	16	15	M-5	12	0,011	20	3	2,5	2
	120013	16	20	M-5	12	0,012	15	4	2,5	4
	120014	16	25	M-5	12	0,013	15	5	2	5
	120021	20	8,5	M-6	16,5	0,016	40	1,5	5	1
	120022	20	15	M-6	16,5	0,018	35	4	5	2,5
	120023	20	20	M-6	16,5	0,019	30	5	5	3,5
	120024	20	25	M-6	16,5	0,02	30	5,5	4,5	4,5
	120025	20	30	M-6	16,5	0,022	25	7	4,5	4,5
	120171	25,5	10	M-6	18	0,032	80	2	8	1,5
	120172	25,5	15	M-6	18	0,032	60	3,5	8	2,5
	120173	25,5	20	M-6	18	0,039	55	4,5	8	3,5
	120174	25,5	25	M-6	18	0,041	50	6	8	4,5
120175	25,5	30	M-6	18	0,043	50	8	8	6	
120026	25,5	10	M-8	20	0,034	80	2	8	1,5	
120031	25,5	15	M-8	20	0,04	60	3,5	8	2,5	
120032	25,5	19	M-8	20	0,04	55	4,5	8	3,5	
120033	25,5	22	M-8	20	0,042	50	5,5	8	4	
120034	25,5	25	M-8	20	0,043	50	6	8	4,5	
120035	25,5	30	M-8	20	0,046	50	8	8	6	
120036	25,5	40	M-8	20	0,053	50	10	10	6	
BOBBINS TYPE A 30-50	120041	30	15	M-8	20	0,049	90	3	11	2,5
	120042	30	22	M-8	20	0,053	80	5	11	4
	120186	30	25	M-8	20	0,056	75	6,5	11	5
	120043	30	30	M-8	20	0,059	70	8	11	6
	120044	30	40	M-8	20	0,066	60	9	11	7,7
	120193	40	20	M-8	20	0,086	160	5	20	3
	120194	40	25	M-8	20	0,1	150	6	20	3,5
	120195	40	28	M-8	20	0,106	150	6	20	5,5
	120196	40	30	M-8	20	0,113	150	6	30	5,5
	120197	40	35	M-8	20	0,117	120	8	20	6,5
	120198	40	40	M-8	20	0,123	120	10	20	7,5
	120199	40	45	M-8	20	0,134	120	11	20	9
	120051	40	20	M-10	25	0,1	160	5	20	3
	120191	40	25	M-10	25	0,104	150	6	20	3,5
	120052	40	28	M-10	25	0,111	150	6	20	5,5
	120192	40	30	M-10	25	0,117	150	6	30	5,5
	120053	40	35	M-10	25	0,121	120	8	20	6,5
	120054	40	40	M-10	25	0,128	120	10	20	7,5
	120055	40	45	M-10	25	0,137	120	11	20	9
	120201	50	20	M-10	25	0,128	300	5	25	3,5
120061	50	25	M-10	25	0,132	300	6	25	4,5	
120202	50	30	M-10	25	0,148	275	7	25	6,5	
120062	50	35	M-10	25	0,153	250	8	25	7	
120203	50	40	M-10	25	0,169	210	10	25	8	
120063	50	45	M-10	25	0,179	190	11	25	9	
120204	50	50	M-10	25	0,199	170	11	25	10,5	
120064	50	60	M-10	25	0,21	150	11	25	12	
BOBBINS TYPE A 60-95	120071	60	25	M-10	25	0,207	400	6	30	4,5
	120072	60	36	M-10	25	0,241	300	9	30	7
	120073	60	45	M-10	25	0,269	250	11	30	9
	120074	60	60	M-10	25	0,315	200	12	30	10
	120081	70	35	M-10	25	0,322	450	8	35	6,5
	120082	70	50	M-10	25	0,38	350	11	35	11
	120083	70	60	M-10	25	0,423	300	12	35	13
	120084	70	70	M-10	25	0,485	300	14	35	15
	120091	75	25	M-12	30	0,32	650	7	37	5
	120092	75	40	M-12	30	0,402	500	9	37	7
	120093	75	45	M-12	30	0,423	500	10	37	9
	120094	75	55	M-12	30	0,468	450	11	37	11
	120101	80	30	M-14	35	0,503	950	7	40	5
	120102	80	40	M-14	35	0,561	600	9	40	7
120103	80	50	M-14	35	0,606	550	10	40	8	
120104	80	55	M-14	35	0,571	550	11	40	9	
120105	80	70	M-14	35	0,71	500	13	40	15	
120106	80	75	M-14	35	0,737	450	14	40	16	
120111	95	40	M-16	45	0,803	1200	8	60	7	
120112	95	55	M-16	45	0,932	1000	11	60	8	
120113	95	60	M-16	45	0,971	800	12	60	10	
120114	95	75	M-16	45	1,148	700	13	60	14	
BOBBINS TYPE A 105-150	120121	105	50	M-16	45	1	1200	9	80	9
	120122	105	75	M-16	45	1,283	1000	13	80	14
	120123	105	100	M-16	45	1,493	800	16	80	16
	120131	120	50	M-16	45	1,153	1500	9	100	9
	120132	120	75	M-16	45	1,568	1200	13	100	14
	120133	120	100	M-16	45	1,903	1000	16	100	16
	120142	130	50	M-16	45	1,658	1600	9	120	9
	120143	130	75	M-16	45	2,105	1450	13	120	14
	120144	130	100	M-16	45	2,492	1200	16	120	16
	120151	150	50	M-20	50	2,268	1800	9	140	9
120152	150	75	M-20	50	2,808	1650	13	140	14	
120153	150	100	M-20	50	3,356	1400	16	140	16	

AMC MECANOCAUCHO® BOBBINS TYPE B

OPERATION AND INSTALLATION

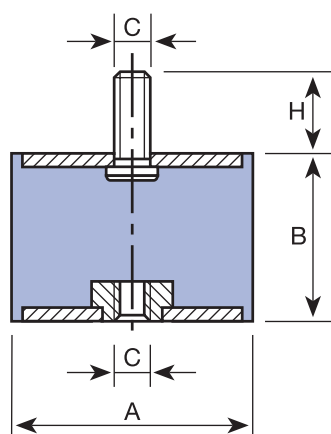
Their elasticity is much greater in all the directions parallel to the armatures than in the perpendicular direction. The rubber works based on compression or shear depending on the direction it is placed in at installation time. This direction is made according to the use and the objective.

It is therefore installed with nuts or screws depending on the model chosen, with one part attached to the fixed chassis and the other to the machine to be suspended.

APPLICATIONS

The AMC MECANOCAUCHO® bobbins are particularly suitable for installation on small motor-pumps, motor-ventilators, driers, sieves, compactors, washing machines, electrical motors, on-board control panels, measuring apparatuses, control cabinets, microphones, fluorescent tubes, etc.

TYPE B



Type	Code	A (mm)	B (mm)	C (mm)	H (mm)	Weight (kg)	Compression load max. dan	Compression deflect. mm	Shear load max. dan	Shear deflect. mm
BOBBINS TYPE B 12-25	121001	12,5	10	M-5	10	0,005	12	2	1,5	1,5
	121002	12,5	15	M-5	10	0,006	10	3	1,5	2
	121003	12,5	20	M-5	10	0,007	8	3,5	1,5	4
	121011	16	10	M-5	12	0,008	20	1,5	2,5	1,5
	121012	16	15	M-5	12	0,01	20	3	2,5	2
	121013	16	20	M-5	12	0,011	15	4	2,5	4
	121014	16	25	M-5	12	0,012	15	5	2	5
	121022	20	15	M-6	16,5	0,017	35	4	5	2,5
	121023	20	20	M-6	16,5	0,018	30	5	5	3,5
	121024	20	25	M-6	16,5	0,02	30	5,5	4,5	4,5
	121025	20	30	M-6	16,5	0,021	25	7	4,5	4,5
	121172	25,5	15	M-6	18	0,033	60	3,5	8	2,5
	121173	25,5	20	M-6	18	0,034	55	4,5	8	3,5
121174	25,5	25	M-6	18	0,037	50	6	8	4,5	
121175	25,5	30	M-6	18	0,038	50	8	8	6	
121031	25,5	15	M-8	20	0,036	60	3,5	8	2,5	
121032	25,5	19	M-8	20	0,037	55	4,5	8	3,5	
121033	25,5	22	M-8	20	0,038	50	5,5	8	4	
121034	25,5	25	M-8	20	0,039	50	6	8	4,5	
121035	25,5	30	M-8	20	0,041	50	8	8	6	
121036	25,5	40	M-8	20	0,046	50	10	10	6	
BOBBINS TYPE B 30-40	121041	30	15	M-8	20	0,047	90	3	11	2,5
	121042	30	22	M-8	20	0,049	80	5	11	4
	121186	30	25	M-8	20	0,053	75	6,5	11	5
	121043	30	30	M-8	20	0,056	70	8	11	6
	121044	30	40	M-8	20	0,062	60	9	11	7,5
	121193	40	20	M-8	20	0,078	160	5	20	3
	121194	40	25	M-8	20	0,095	150	6	20	3,5
	121195	40	28	M-8	20	0,098	150	6	20	5,5
	121196	40	30	M-8	20	0,101	150	6	30	5,5
	121197	40	35	M-8	20	0,102	120	8	20	6,5
	121198	40	40	M-8	20	0,105	120	10	20	7,5
	121199	40	45	M-8	20	0,12	120	11	20	9
	121051	40	20	M-10	25	0,09	160	5	20	3
121191	40	25	M-10	25	0,099	150	6	20	3,5	
121052	40	28	M-10	25	0,103	150	6	20	5,5	
121192	40	30	M-10	25	0,103	150	6	30	5,5	
121053	40	35	M-10	25	0,105	120	8	20	6,5	
121054	40	40	M-10	25	0,109	120	10	20	7,5	
121055	40	45	M-10	25	0,125	120	11	20	9	
BOBBINS TYPE B 50-75	121201	50	20	M-10	25	0,124	300	5	25	3,5
	121061	50	25	M-10	25	0,128	300	6	25	4,5
	121202	50	30	M-10	25	0,141	275	7	25	6,5
	121062	50	35	M-10	25	0,151	250	8	25	7
	121203	50	40	M-10	25	0,162	210	10	25	8
	121063	50	45	M-10	25	0,173	190	11	25	9
	121204	50	50	M-10	25	0,192	170	11	25	10,5
	121064	50	60	M-10	25	0,202	150	11	25	12
	121071	60	25	M-10	25	0,204	400	6	30	4,5
	121072	60	36	M-10	25	0,238	300	9	30	7
	121073	60	45	M-10	25	0,264	250	11	30	9
	121074	60	60	M-10	25	0,311	200	12	30	10
	121081	70	35	M-10	25	0,311	450	8	35	6,5
121082	70	50	M-10	25	0,371	350	11	35	11	
121083	70	60	M-10	25	0,416	300	12	35	13	
121084	70	70	M-10	25	0,479	300	14	35	15	
121091	75	25	M-12	30	0,301	650	7	37	5	
121092	75	40	M-12	30	0,384	500	9	37	7	
121093	75	45	M-12	30	0,411	500	10	37	9	
121094	75	55	M-12	30	0,455	450	11	37	11	
BOBBINS TYPE B 80-150	121101	80	30	M-14	35	0,445	950	7	40	5
	121102	80	40	M-14	35	0,505	600	9	40	7
	121103	80	50	M-14	35	0,521	550	10	40	8
	121104	80	55	M-14	35	0,544	550	11	40	9
	121105	80	70	M-14	35	0,648	500	13	40	15
	121106	80	75	M-14	35	0,687	450	14	40	16
	121111	95	40	M-16	45	0,769	1200	8	60	7
	121112	95	55	M-16	45	0,88	1000	11	60	8
	121113	95	60	M-16	45	0,888	800	12	60	10
	121114	95	75	M-16	45	1,087	700	13	60	14
	121121	105	50	M-16	45	0,927	1200	9	80	9
	121122	105	75	M-16	45	1,208	1000	13	80	14
	121123	105	100	M-16	45	1,422	800	16	80	16
121131	120	50	M-16	45	1,078	1500	9	100	9	
121132	120	75	M-16	45	1,407	1200	13	100	14	
121133	120	100	M-16	45	1,834	1000	16	100	16	
121142	130	50	M-16	45	1,591	1600	9	120	9	
121143	130	75	M-16	45	2,039	1450	13	120	14	
121144	130	100	M-16	45	2,426	1200	16	120	16	
121151	150	50	M-20	50	3,301	1800	9	140	9	
121152	150	75	M-20	50	4,001	1650	13	140	14	
121153	150	100	M-20	50	-	1400	16	140	16	

AMC MECANOCAUCHO® BOBBINS TYPE C

OPERATION AND INSTALLATION

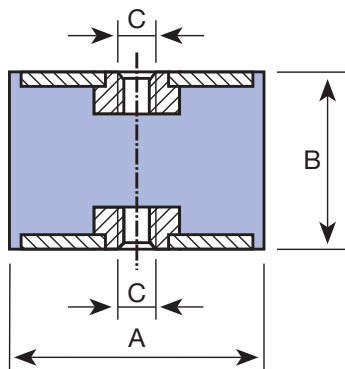
Their elasticity is much greater in all the directions parallel to the armatures than in the perpendicular direction. The rubber works based on compression or shear depending on the direction it is placed in at installation time. This direction is made according to the use and the objective.

It is therefore installed with nuts or screws depending on the model chosen, with one part attached to the fixed chassis and the other to the machine to be suspended.

APPLICATIONS

The AMC MECANOCAUCHO® bobbins are particularly suitable for installation on small motor-pumps, motor-ventilators, driers, sieves, compactors, washing machines, electrical motors, on-board control panels, measuring apparatuses, control cabinets, microphones, fluorescent tubes, etc.

TYPE C



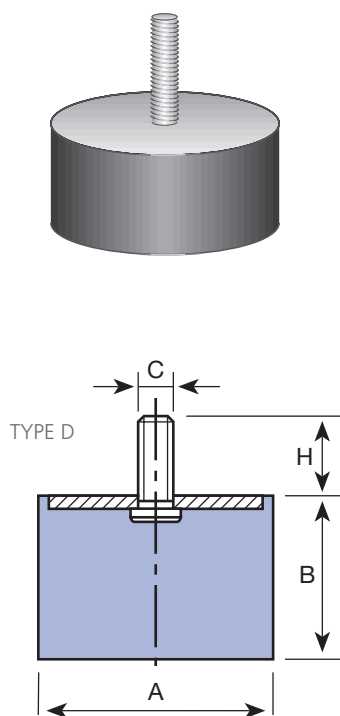
Type	Code	A (mm)	B (mm)	C (mm)	Weight (kg)	Compression load max. dan	Compression deflect. mm	Shear load max. dan	Shear deflect. mm
BOBBINS TYPE C 12-30	122003	12,5	20	M-5	0,007	8	3,5	1,5	4
	122013	16	20	M-5	0,01	15	4	2,5	4
	122014	16	25	M-5	0,012	15	5	2	5
	122023	20	20	M-6	0,017	30	5	5	3,5
	122024	20	25	M-6	0,018	30	5,5	4,5	4,5
	122025	20	30	M-6	0,019	25	7	4,5	4,5
	122173	25,5	20	M-6	0,03	55	4,5	8	3,5
	122174	25,5	25	M-6	0,035	50	6	8	4,5
	122175	25,5	30	M-6	0,036	50	8	8	6
	122032	25,5	19	M-8	0,031	55	4,5	8	3,5
	122033	25,5	22	M-8	0,038	50	5,5	8	4
	122034	25,5	25	M-8	0,037	50	6	8	4,5
	122035	25,5	30	M-8	0,038	50	8	8	6
	122036	25,5	40	M-8	0,044	50	10	10	6
122042	30	22	M-8	0,045	80	5	11	4	
122186	30	25	M-8	0,048	75	6,5	11	5	
122043	30	30	M-8	0,052	70	8	11	6	
122044	30	40	M-8	0,061	60	9	11	7,5	
BOBBINS TYPE C 40-60	122194	40	25	M-8	0,089	150	6	20	3,5
	122195	40	28	M-8	0,097	150	6	20	5,5
	122196	40	30	M-8	0,097	150	6	30	5,5
	122197	40	35	M-8	0,099	120	8	20	6,5
	122198	40	40	M-8	0,106	120	10	20	7,5
	122199	40	45	M-8	0,111	120	11	20	9
	122052	40	28	M-10	0,094	150	6	20	5,5
	122192	40	30	M-10	0,099	150	6	30	5,5
	122053	40	35	M-10	0,102	120	8	20	6,5
	122054	40	40	M-10	0,109	120	10	20	7,5
	122055	40	45	M-10	0,114	120	11	20	9
	122061	50	25	M-10	0,117	300	6	25	4,5
	122202	50	30	M-10	0,134	275	7	25	6,5
	122062	50	35	M-10	0,146	250	8	25	7
	122203	50	40	M-10	0,161	210	10	25	8
	122063	50	45	M-10	0,171	190	11	25	9
	122204	50	50	M-10	0,185	170	11	25	10,5
	122064	50	60	M-10	0,199	150	11	25	12
	122071	60	25	M-10	0,194	400	6	30	4,5
	122072	60	36	M-10	0,234	300	9	30	7
122073	60	45	M-10	0,255	250	11	30	9	
122074	60	60	M-10	0,304	200	12	30	10	
122081	70	35	M-10	0,307	450	8	35	6,5	
122082	70	50	M-10	0,376	350	11	35	11	
122083	70	60	M-10	0,41	300	12	35	13	
122084	70	70	M-10	0,469	300	14	35	15	
122092	75	40	M-12	0,351	500	9	37	7	
122093	75	45	M-12	0,395	500	10	37	9	
122094	75	55	M-12	0,436	450	11	37	11	
122101	80	30	M-14	0,391	950	7	40	5	
122102	80	40	M-14	0,449	600	9	40	7	
122103	80	50	M-14	0,492	550	10	40	8	
122104	80	55	M-14	0,516	550	11	40	9	
122105	80	70	M-14	0,602	500	13	40	15	
122106	80	75	M-14	0,63	450	14	40	16	
122111	95	40	M-16	0,714	1.200	8	60	7	
122112	95	55	M-16	0,851	1.000	11	60	8	
122113	95	60	M-16	0,88	800	12	60	10	
122114	95	75	M-16	1,026	700	13	60	14	
122122	105	50	M-16	0,714	1.200	9	80	9	
122123	105	75	M-16	1,158	1.000	13	80	14	
122124	105	100	M-16	1,405	800	16	80	16	
122131	120	50	M-16	1,108	1.500	9	100	9	
122132	120	75	M-16	1,366	1.200	13	100	14	
122133	120	100	M-16	1,702	1.000	16	100	16	
122142	130	50	M-16	2,125	1.600	9	120	9	
122143	130	75	M-16	1,962	1.450	13	120	14	
122144	130	100	M-16	2,356	1.200	16	120	16	
122151	150	50	M-20	2,024	1.800	9	140	9	
122152	150	75	M-20	2,558	1.650	13	140	14	
122153	150	100	M-20	2,996	1.400	16	140	16	

SIMPLE BUFFERS AMC MECANOCAUCHO® TYPE D

APPLICATIONS

As buffers: In any case for limiting a flexible element.

- End of stroke of spring or damper.
- End of stroke of cranes and hoists.
- Setting of fragile material in packings.



Type	Code	A (mm)	B (mm)	C (mm)	H (mm)	Weight (kg)	Compression load max. dan	Compression deflect. mm
SIMPLE BUFFERS AMC 12-25	110001	12,5	10	M-5	10	0,004	12	2
	110002	12,5	15	M-5	10	0,004	10	3
	110003	12,5	20	M-5	10	0,005	8	3,5
	110004	16	10	M-5	12	0,006	20	1,5
	110005	16	15	M-5	12	0,008	20	3
	110006	16	20	M-5	12	0,008	15	4
	110007	16	25	M-5	12	0,009	15	5
	110008	20	8,5	M-6	16,5	0,009	40	1,5
	110009	20	15	M-6	16,5	0,012	35	4
	110010	20	20	M-6	16,5	0,012	30	5
	110011	20	25	M-6	16,5	0,015	30	5,5
	110012	20	30	M-6	16,5	0,017	25	7
	110091	25,5	10	M-6	18	0,02	80	2
	110092	25,5	15	M-6	18	0,021	60	3,5
	110093	25,5	20	M-6	18	0,022	55	4,5
	110094	25,5	25	M-6	18	0,025	50	6
	110095	25,5	30	M-6	18	0,028	50	8
	110013	25,5	10	M-8	20	0,022	80	2
	110014	25,5	15	M-8	20	0,024	60	3,5
110015	25,5	19	M-8	20	0,025	55	4,5	
110016	25,5	22	M-8	20	0,027	50	5,5	
110017	25,5	25	M-8	20	0,028	50	6	
110018	25,5	30	M-8	20	0,032	50	8	
110019	25,5	40	M-8	20	0,036	50	10	
SIMPLE BUFFERS AMC 30-50	110020	30	15	M-8	20	0,03	90	3
	110021	30	22	M-8	20	0,034	80	5
	110101	30	25	M-8	20	0,037	75	6,5
	110022	30	30	M-8	20	0,041	70	8
	110023	30	40	M-8	20	0,05	60	9
	110112	40	20	M-8	20	0,06	160	5
	110113	40	25	M-8	20	0,068	150	6
	110114	40	28	M-8	20	0,072	150	6
	110115	40	30	M-8	20	0,08	150	6
	110116	40	35	M-8	20	0,082	120	8
	110117	40	40	M-8	20	0,087	120	10
	110118	40	45	M-8	20	0,089	120	11
	110024	40	20	M-10	25	0,064	160	5
	110110	40	25	M-10	25	0,07	150	6
	110025	40	28	M-10	25	0,076	150	6
	110111	40	30	M-10	25	0,07	150	6
	110026	40	35	M-10	25	0,086	120	8
	110027	40	40	M-10	25	0,092	120	10
	110028	40	45	M-10	25	0,094	120	11
	110121	50	20	M-10	25	0,09	300	5
110029	50	25	M-10	25	0,093	300	6	
110122	50	30	M-10	25	0,104	275	7	
110030	50	35	M-10	25	0,114	250	8	
110123	50	40	M-10	25	0,125	210	10	
110031	50	45	M-10	25	0,138	190	11	
110124	50	50	M-10	25	0,144	170	11	
110032	50	60	M-10	25	0,17	150	11	
SIMPLE BUFFERS AMC 60-95	110033	60	25	M-10	25	0,145	400	6
	110034	60	36	M-10	25	0,177	300	9
	110035	60	45	M-10	25	0,206	250	11
	110036	60	60	M-10	25	0,251	200	12
	110037	70	35	M-10	25	0,236	450	8
	110038	70	50	M-10	25	0,294	350	11
	110039	70	60	M-10	25	0,336	300	12
	110040	70	70	M-10	25	0,397	300	14
	110041	75	25	M-12	30	0,222	650	7
	110042	75	40	M-12	30	0,302	500	9
	110043	75	45	M-12	30	0,323	500	10
	110044	75	55	M-12	30	0,373	450	11
	110045	80	30	M-14	35	0,341	950	7
	110046	80	40	M-14	35	0,395	600	9
	110047	80	50	M-14	35	0,415	550	10
110048	80	55	M-14	35	0,458	550	11	
110049	80	70	M-14	35	0,547	500	13	
110050	80	75	M-14	35	0,579	450	14	
110051	95	40	M-16	45	0,568	1200	8	
110052	95	55	M-16	45	0,689	1000	11	
110053	95	60	M-16	45	0,743	800	12	
110054	95	75	M-16	45	0,892	700	13	
SIMPLE BUFFERS AMC 105-150	110055	105	50	M-16	45	0,754	1200	9
	110056	105	75	M-16	45	1,262	1000	13
	110057	105	100	M-16	45	1,514	800	16
	110058	120	50	M-16	45	0,917	1500	9
	110059	120	75	M-16	45	1,252	1200	13
	110060	120	100	M-16	45	1,579	1000	16
	110062	130	50	M-16	45	1,257	1600	9
	110063	130	75	M-16	45	1,647	1450	13
	110064	130	100	M-16	45	2,035	1200	16
	110065	150	50	M-20	50	1,678	1800	9
	110066	150	75	M-20	50	2,202	1650	13
	110067	150	100	M-20	50	2,774	1400	16

SIMPLE BUFFERS

AMC

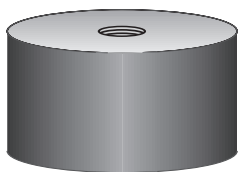
MECANOCAUCHO®

TYPE E

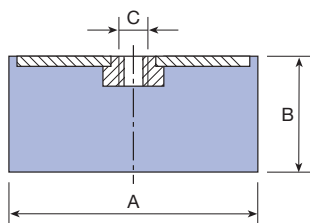
APPLICATIONS

As buffers: In any case for limiting a flexible element.

- End of stroke of spring or damper.
- End of stroke of cranes and hoists.
- Setting of fragile material in packings.



TYPE E



Type	Code	A (mm)	B (mm)	C (mm)	Weight (kg)	Compression load max. dan	Compression deflect. mm
SIMPLE BUFFERS TYPE E 12-25	111001	12,5	10	M-5	0,004	12	2
	111002	12,5	15	M-5	0,004	10	3
	111003	12,5	20	M-5	0,004	8	3,5
	111004	16	10	M-5	0,005	20	1,5
	111005	16	15	M-5	0,006	20	3
	111006	16	20	M-5	0,007	15	4
	111007	16	25	M-5	0,008	15	5
	111008	20	8,5	M-6	0,008	40	1,5
	111009	20	15	M-6	0,008	35	4
	111010	20	20	M-6	0,011	30	5
	111011	20	25	M-6	0,012	30	5,5
	111012	20	30	M-6	0,015	25	7
	111091	25,5	10	M-6	0,015	80	2
	111092	25,5	15	M-6	0,016	60	3,5
	111093	25,5	20	M-6	0,021	55	4,5
	111094	25,5	25	M-6	0,023	50	6
	111095	25,5	30	M-6	0,026	50	8
	111013	25,5	10	M-8	0,017	80	2
	111014	25,5	15	M-8	0,019	60	3,5
	111015	25,5	19	M-8	0,021	55	4,5
111016	25,5	22	M-8	0,024	50	5,5	
111017	25,5	25	M-8	0,025	50	6	
111018	25,5	30	M-8	0,029	50	8	
111019	25,5	40	M-8	0,033	50	10	
SIMPLE BUFFERS TYPE E 30-50	111020	30	15	M-8	0,025	90	3
	111021	30	22	M-8	0,028	80	5
	111101	30	25	M-8	0,034	75	6,5
	111022	30	30	M-8	0,038	70	8
	111023	30	40	M-8	0,045	60	9
	111112	40	20	M-8	0,051	160	5
	111113	40	25	M-8	0,056	150	6
	111114	40	28	M-8	0,061	150	6
	111115	40	30	M-8	0,063	150	6
	111116	40	35	M-8	0,071	120	8
	111117	40	40	M-8	0,071	120	10
	111118	40	45	M-8	0,085	120	11
	111024	40	20	M-10	0,054	160	5
	111110	40	25	M-10	0,059	150	6
	111025	40	28	M-10	0,065	150	6
	111111	40	30	M-10	0,066	150	6
	111026	40	35	M-10	0,075	120	8
	111027	40	40	M-10	0,081	120	10
	111028	40	45	M-10	0,089	120	11
	111121	50	20	M-10	0,084	300	5
111029	50	25	M-10	0,088	300	6	
111122	50	30	M-10	0,101	275	7	
111030	50	35	M-10	0,111	250	8	
111123	50	40	M-10	0,124	210	10	
111031	50	45	M-10	0,134	190	11	
111124	50	50	M-10	0,151	170	11	
111032	50	60	M-10	0,166	150	11	
SIMPLE BUFFERS TYPE E 60-95	111033	60	25	M-10	0,138	400	6
	111034	60	36	M-10	0,171	300	9
	111035	60	45	M-10	0,197	250	11
	111036	60	60	M-10	0,246	200	12
	111037	70	35	M-10	0,225	450	8
	111038	70	50	M-10	0,287	350	11
	111039	70	60	M-10	0,327	300	12
	111040	70	70	M-10	0,396	300	14
	111041	75	25	M-12	0,201	650	7
	111042	75	40	M-12	0,277	500	9
	111043	75	45	M-12	0,3	500	10
	111044	75	55	M-12	0,348	450	11
	111045	80	30	M-14	0,283	950	7
	111046	80	40	M-14	0,335	600	9
	111047	80	50	M-14	0,382	550	10
	111048	80	55	M-14	0,411	550	11
	111049	80	70	M-14	0,495	500	13
	111050	80	75	M-14	0,515	450	14
	111051	95	40	M-16	0,521	1200	8
	111052	95	55	M-16	0,642	1000	11
111053	95	60	M-16	0,691	800	12	
111054	95	75	M-16	0,84	700	13	
SIMPLE BUFFERS TYPE E 105-150	111055	105	50	M-16	0,71	1200	9
	111056	105	75	M-16	0,956	1000	13
	111057	105	100	M-16	1,19	800	16
	111058	120	50	M-16	0,856	1500	9
	111059	120	75	M-16	1,203	1200	13
	111060	120	100	M-16	1,52	1000	16
	111062	130	50	M-16	1,19	1600	9
	111063	130	75	M-16	1,57	1450	13
	111064	130	100	M-16	1,958	1200	16
	111065	150	50	M-20	1,537	1800	9
111066	150	75	M-20	2,557	1650	13	
111067	150	100	M-20	2,639	1400	16	

STANDARD STAINLESS STEEL AMC MECANOCAUCHO® BOBBINS

OPERATION AND ASSEMBLY

Their elasticity is much greater in all the directions parallel to the armatures than in the perpendicular direction. The rubber works based on compression or shear depending on the direction it is placed in at installation time. This direction is made according to the use and the objective.

It is therefore installed with nuts or screws depending on the model chosen, with one part attached to the fixed chassis and the other to

the machine to be suspended.

APPLICATIONS

The AMC MECANOCAUCHO® bobbins are particularly suitable for installation on small motor-pumps, motor-ventilators, driers, sieves, compactors, washing machines, electrical motors, on-board control panels, measuring apparatuses, control cabinets, microphones, fluorescent tubes, etc.

Type	Code	A (mm)	B (mm)	C (mm)	H (mm)	Weight (kg)	Compression load max. dan	Compression deflect. mm	Shear load max. dan	Shear deflect. mm
BOBBINS TYPE A 12-25 STAINLESS STEEL	120301	20	20	M-6	18	0,019	30	5	5	3,5
	120302	20	25	M-6	18	-	30	5,5	4,5	4,5
	120303	25	25	M-6	18	-	55	4,5	8	3,5
	120304	25	30	M-6	18	-	50	8	8	6
	120305	30	20	M-8	23	0,055	80	5	11	4
	120306	30	30	M-8	23	-	70	8	11	6
	120307	40	30	M-8	23	0,092	150	6	30	5,5
	120308	40	40	M-10	28	0,131	120	10	20	7,5
	120309	50	25	M-10	28	-	300	6	25	4,5
	120310	50	35	M-10	28	-	250	8	25	7
	120311	50	45	M-10	28	-	190	11	25	9
	120312	60	35	M-10	28	-	300	9	30	7
	120313	60	45	M-10	28	0,255	250	11	30	9
	120314	60	60	M-10	28	0,304	200	12	30	10
	120315	70	45	M-12	37	0,376	350	11	35	11

Type	Code	A (mm)	B (mm)	C (mm)	Weight (kg)	Compression load max. dan	Compression deflect. mm	Shear load max. dan	Shear deflect. mm
BOBBINS TYPE C STAINLESS STEEL	120401	60	35	M-10	-	300	9	30	7
	120402	60	60	M-10	0,272	200	12	30	10
	120403	70	55	M-12	0,361	325	11,5	35	12
	120404	80	75	M-12	0,57	450	14	40	16
	120405	100	80	M-16	-	1000	13	80	14

AMC MECANOCAUCHO® DIABOLO MOUNTS

APPLICATIONS

The AMC MECANOCAUCHO® Diabolo mounts are particularly suitable for installation on small motor-pumps, motor-ventilators, driers, sieves, compactors, washing machines, electrical motors, on-board control panels, measuring apparatuses, control cabinets, micro-phones, fluorescent tubes, etc.

TYPE A		Type	A (mm)	B (mm)	D (mm)	H (mm)	Compression load max. dan	Compression deflect. mm	Shear load max. dan	Shear deflect. mm	Code	C (mm)	Weight (kg)
		F.000N	12	12	8	10	4	1,5	0,4	1,5	129001	M-5	0,006
F.00N	20	19	13,5	16,5	12	2,5	3	5	129002	M-6	0,017		
F.3	30	25	24	20	40	5	4	4,5	129003	M-8	0,08		
F.0N	40	28	19	25	30	5	2,5	4,5	129004 128001	M-10 M-8	0,093 0,081		
F.9	40	30	26	25	45	3	4	4,5	129005	M-8	0,08		
F.7	44	42	25	25	50	6	9	6	129006	M-8	0,094		
F.1	60	44	24	20	40	5	7	5	129007	M-8	0,174		
F.2	60	44	34	20	75	5	12	6	129008	M-8	0,188		
F.2	60	44	34	25	75	5	12	6	129013	M-10	0,188		
F.4	60	60	50	25	150	8	30	10	129009	M-10	0,279		
F.8	60	36	37	25	100	7	20	8	129010	M-10	0,205		
F.5	80	70	70	35	300	9,5	55	9,8	129011	M-14	0,667		
F.6	95	76	80	45	400	9,5	70	8	129012	M-16	0,952		

TYPE B		Type	A (mm)	B (mm)	D (mm)	H (mm)	Compression load max. dan	Compression deflect. mm	Shear load max. dan	Shear deflect. mm	Code	C (mm)	Weight (kg)
		F.000N	12	12	8	10	4	1,5	0,4	1,5	129101	M-5	0,005
F.00N	20	19	13,5	16,5	12	2,5	3	5	129102	M-6	0,016		
F.3	30	25	24	20	40	5	4	4,5	129103	M-8	0,046		
F.0N	40	28	19	25	30	5	2,5	4,5	129104 128006	M-10 M-8	0,084 0,072		
F.9	40	30	26	25	45	3	4	4,5	129105	M-8	0,074		
F.7	44	42	25	25	50	6	9	6	129106	M-8	0,09		
F.1	60	44	24	20	40	5	7	5	129107	M-8	0,167		
F.2	60	44	34	20	75	5	12	6	129108	M-8	0,183		
F.2	60	44	34	25	75	5	12	6	128010	M-10	-		
F.4	60	60	50	25	150	8	30	10	129109	M-10	0,271		
F.8	60	36	37	25	100	7	20	8	129110	M-10	0,202		
F.5	80	70	70	35	300	9,5	55	9,8	129111	M-14	0,616		
F.6	95	76	80	45	400	9,5	70	8	129112	M-16	0,94		

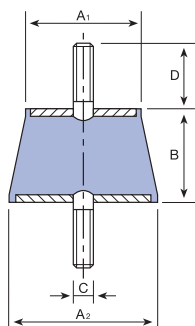
TYPE C		Type	A (mm)	B (mm)	D (mm)	Compression load max. dan	Compression deflect. mm	Shear load max. dan	Shear deflect. mm	Code	C (mm)	Weight (kg)
		F.00N	20	19	13,5	12	2,5	3	5	129202	M-6	0,015
F.3	30	25	24	40	5	4	4,5	129203	M-8	0,055		
F.0N	40	28	19	30	5	2,5	4,5	129204 129213	M-10 M-8	0,074 0,058		
F.9	40	30	26	45	3	4	4,5	129205	M-8	0,069		
F.7	44	42	25	50	6	9	6	129206	M-8	0,082		
F.1	60	44	24	40	5	7	5	129207	M-8	0,164		
F.2	60	44	34	75	5	12	6	129208 128002	M-8 M-10	0,174 0,198		
F.4	60	60	50	150	8	30	10	129209	M-10	0,257		
F.8	60	36	37	100	7	20	8	129210	M-10	0,187		
F.5	80	70	70	300	9,5	55	9,8	129211	M-14	0,551		
F.6	95	76	80	400	9,5	70	8	129212	M-16	0,897		

TRAPEZOIDAL MOUNTS AMC MECANOCAUCHO®

APPLICATIONS

Trapezoid mounts for ventilation boxes, small air-conditioning units, etc.

Type	B (mm.)	C	D (mm.)	A1	A2	Code	Load Kg. min.	Load Kg. max.
A-35-b	24	M8	24	30	40	131001	3	30
A-35	24	M8	24	30	40	131002	25	50
A-45-b	34	M8	24	40	50	131003	50	70
A-45	34	M8	24	40	50	131004	60	85
A-60	48	M12	Female	60	65	131005	85	150
A-130	72	M18	Female	130	140	131006	500	1.000

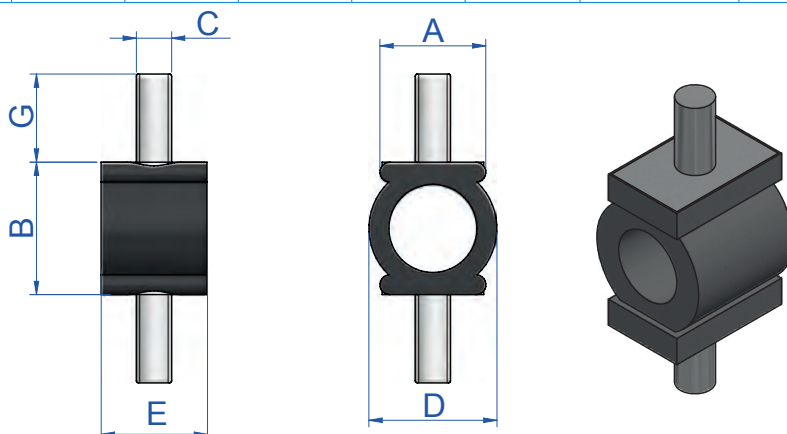


ANNULAR MOUNTS AMC MECANOCAUCHO®

APPLICATIONS

The AMC MECANOCAUCHO® Annular Mounts are comprised of a rubber ring joined by two metal parts with screws for fixation. Thanks to their design, these antivibration mounts may insulate low frequencies with low loads.

Type	A (mm.)	B (mm.)	C	D (mm.)	E (mm.)	G (mm.)	Code	Load (Kg.)	Deflection mm.
832	9,5	18	M4	14	14	8	130011	0,5	1,5
828	9,5	18	M4	14	14	8	130003	1,25	1,5
829	9,5	18	M4	14	14	8	130001	2,5	1
830	24	30	M8	29	24	20	130004	3,5	6
831	24	30	M8	29	24	20	130002	8	6



PROGRESSIVE BUFFERS AMC MECANOCAUCHO®



APPLICATIONS

As buffers: In any case for limiting a flexible element.

- End of stroke of spring or damper.
- End of stroke of cranes and hoists.
- Setting of fragile material in packings.

TYPE A		Type	Code	A (mm.)	B (mm.)	C	H (mm.)	Load (Kg.)	Energy a 1 m/s Kg. M.	Dynamic Deflection mm.
		T-25	115001	25	19	M8	20	100	0,3	8
		T-30	115002	30	30	M6	16	140	0,6	15
		T-40	113025	35	40	M10	25	180	2	20
		T-50	115003	50	50	M8	20	340	3	25
		T-50	115004	50	64	M8	35	370	4	32
		T-50	115005	50	58	M8	20	400	3,7	28
		T-70	115006	72	58	M12	30	550	5	26

TYPE C		Type	Code	A (mm.)	B (mm.)	C	Load (Kg.)	Energy a 1 m/s Kg. M.	Dynamic Deflection mm.
		T-25	115008	25	19	M8	100	0,3	8
		T-30	115009	30	30	M6	140	0,6	15
		T-50	115010	50	50	M8	340	3	25
		T-50	115011	50	64	M8	370	4	32
		T-50	115012	50	58	M8	400	3,7	28
		T-70	115014	72	58	M12	550	5	26
		T-95	115015	95	80	M16	1100	12	37

TYPE A		Type	Code	A (mm.)	B (mm.)	C	H (mm.)	Load (Kg.)	Energy a 1 m/s Kg. M.	Dynamic Deflection mm.
		T-95	115007	95	80	M16	45	1100	12	37
		T - 85	116001	84	52	M12	35	1500	20	20
		T - 120	116002	120	75	M16	45	3000	34	22
T - 220	116003	220	137	M24	80	15000	250	40		

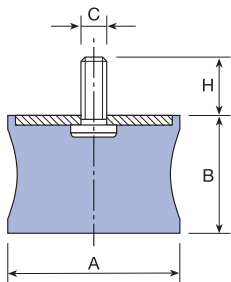
TYPE C		Type	Code	A (mm.)	B (mm.)	C	Load (Kg.)	Energy a 1 m/s Kg. M.	Dynamic Deflection mm.
		T - 85	116011	84	52	M12	1500	20	20
		T - 120	116012	120	75	M16	3000	34	22
T - 220	116013	220	137	M24	15000	250	40		

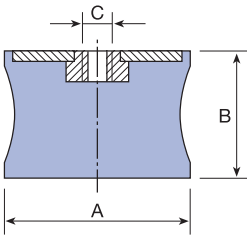
DIABOLO BUFFERS AMC MECANOCAUCHO®

APPLICATIONS

As buffers: In any case for limiting a flexible element.

- End of stroke of spring or damper.
- End of stroke of cranes and hoists.
- Setting of fragile material in packings.

TYPE A											
	Type	Code	A (mm)	B (mm)	C (mm)	H (mm)	Weight (kg)	Static load max. daN	Dynamic load max. daN	Dynamic deflection mm	Static deflection mm
	F.3	114001	30	23	M-8	20	0,032	40	90	9	5
	F.7	114002	44	42	M-8	20	0,07	50	100	10	6
	F.1	114003	60	44	M-8	20	0,116	40	100	10	4
	F.2	114004	60	44	M-8	20	0,127	75	200	12	5,5
	F.4	114005	60	60	M-10	25	0,213	150	350	15	8
	F.8	114006	60	31	M-10	25	0,135	100	275	14	7
	F.5	114007	80	65	M-14	35	0,508	300	800	16	9,5
	F.6	114008	95	70	M-16	45	0,724	400	1000	18	9,5

TYPE C											
	Type	Code	A (mm)	B (mm)	C (mm)	Weight (kg)	Static load max. daN	Dynamic load max. daN	Dynamic deflection mm	Static deflection mm	
	F.3	114011	30	23	M-8	0,036	40	90	9	5	
	F.7	114012	44	42	M-8	0,066	50	100	10	6	
	F.1	114013	60	44	M-8	0,098	40	100	10	4	
	F.2	114014	60	44	M-8	0,117	75	200	12	5,5	
	F.4	114015	60	60	M-10	0,204	150	350	15	8	
	F.8	114016	60	31	M-10	0,127	100	275	14	7	
	F.5	114017	80	65	M-14	0,445	300	800	16	9,5	
	F.6	114018	95	70	M-16	0,673	400	1000	18	9,5	

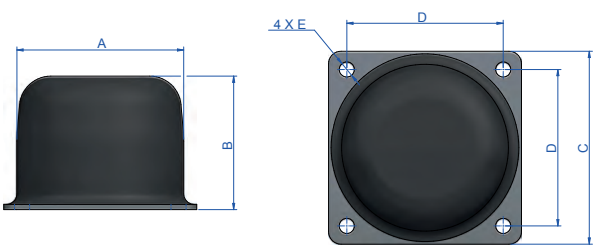
CYLINDRICAL BUFFERS AMC MECANOCAUCHO®

APPLICATIONS

As buffers: In any case for limiting a flexible element.

- End of stroke of spring or damper.
- End of stroke of cranes and hoists.
- Setting of fragile material in packings.



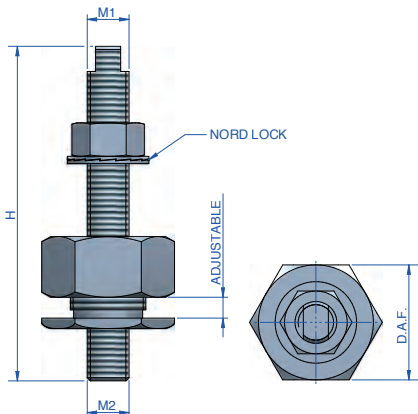
											
	Type	Code	A (mm)	B (mm)	C (mm)	D (mm)	E (mm)	Load (kg)	Deflection mm	Weight (kg)	Energy (Nm)
	T - 150	117001	160	125	185	150	13,5	5000	50	4,172	1250
	T - 250	117002	250	208	315	250	14,5	40000	100	18	12500

HEIGHT ADJUSTING SYSTEMS

The AMC Mecanocaucho® height adjusting systems can be used to retrofit current installations. Please take into consideration the following information:

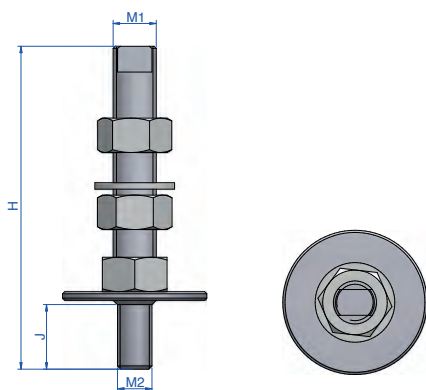
It is recommendable to settle the mountings at least 48hours before the alignment of the engine installation, especially for close coupling tolerances.

The use of high performance glue between the bolt and the mounting is advisable in order to increase the security.



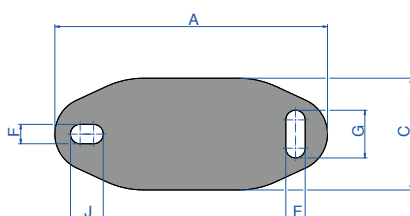
Hi-Sec

Type	Code	H (mm)	M1	M2	Adjustable (mm)	Machined head	D.A.F.	Weight (gr.)
HI SEC	708077	110	M16	M12	± 5	Y	46	357
	708007	110	M16	M16	± 5	Y	46	514
	708094	130	M20	M20	± 5	N	46	775
	708079	110	M20	M16	± 10	Y	55	1095
	708029	160	M20	M20	± 10	Y	55	1011
	708005	160	M20	M20	± 10	N	55	1096
	708011	200	M24	M24	± 10	N	120	2234



Standard height adjusters

Type	Code	H (mm)	M1	M2	J (mm)	Machined head	Weight (gr.)
STUD	708008	110	M16	M12	25	Y	215
	708003	110	M16	M16	-	Y	285
	708004	130	M20	M20	-	N	475
	708001	100	M12	M12	-	Y	174



Shim

Type	Code	A (mm)	C (mm)	D (mm)	F (mm)	G (mm)	H (mm)	I (mm)	J (mm)	Weight (kg)
SMALL	136301	120	60	100	14	11	3	14	11	-
MEDIUM	136302	183	75	140	30	13	4	13	22	-
LARGE	136303	228	112	182	34	18	5	18	26	-

INSTALLATION PRINCIPLES

RECOMMENDATIONS FOR HOOD MOUNTS

The hood mounts should be installed between two parallel and perfectly flat surfaces. Mounts operating tilted or twisted do not work properly. This may be due to incorrect alignment, tolerances in the building of the chassis or over-tightened torque during the installation of the Antivibration mounts.

This applies to our marine-type, BSB, BRB or Mecanodamp mounts.

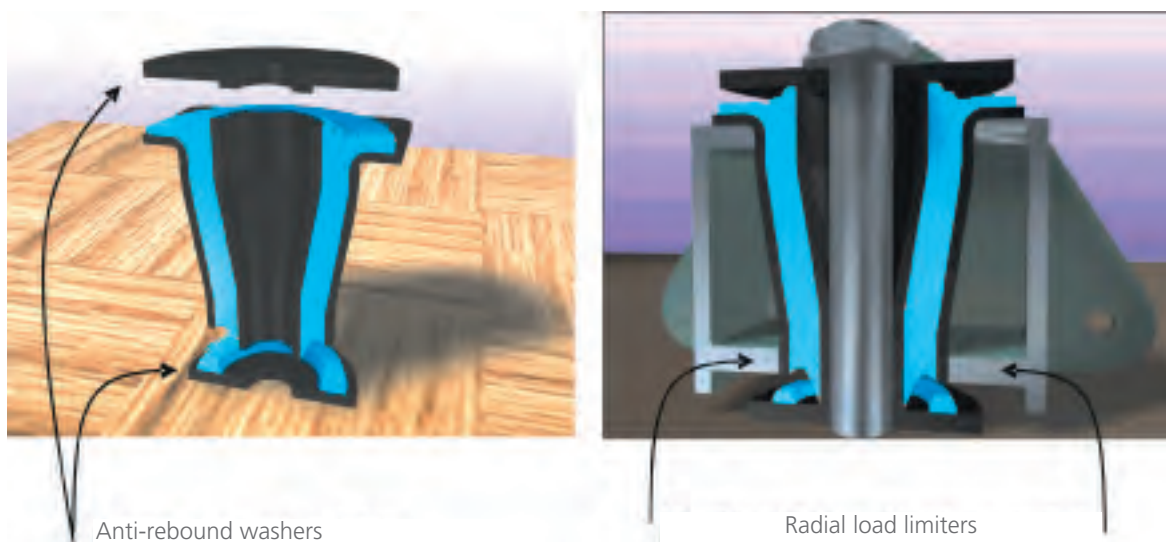


RECOMMENDATIONS FOR THE CONICAL MOUNTS

The conical mounts should always use the washers indicated for each model.

Similarly, we recommend the use of lateral limiters for cases with high loads or radial impact.

This applies to our AT, SCB, SCH or Mecanocaucho® mounts.

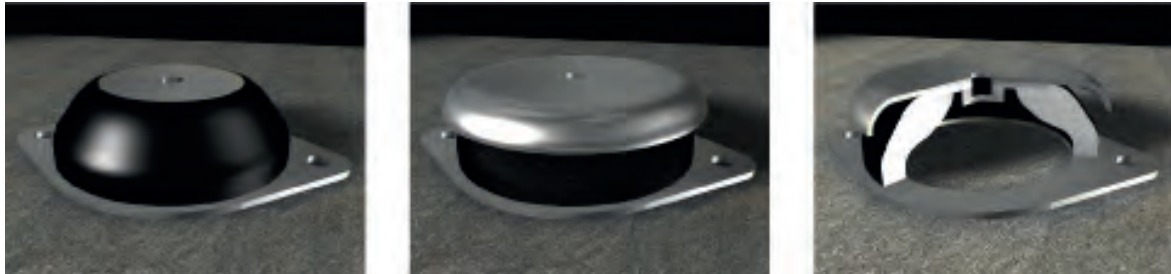


RECOMMENDATIONS FOR THE DSD AND DRD MOUNTS

Although it is not absolutely necessary, the AMC MECANOCAUCHO® hoods should be used in the DSD and DRD hoods. This hood distributes the load evenly in the event of overloads, and also provides protection from possible oil splashes.

Care should be taken to make sure that the protective hood has the same or a greater diameter than that of the diameter of the rubber element.

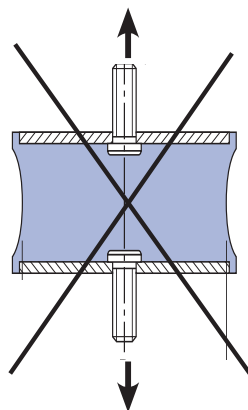
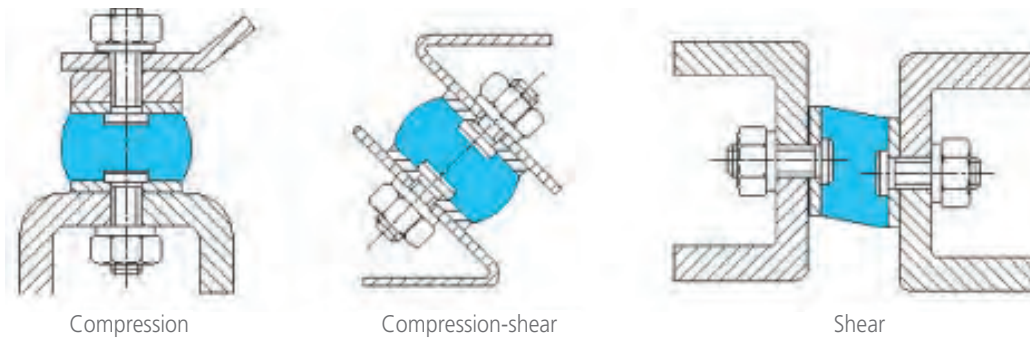
We have a standard range of Mecanocaucho® protection hoods. Check them out.



RECOMMENDATIONS FOR THE CYLINDRICAL MOUNTS

The cylindrical mounts should never work at traction. They should be used on a compression basis. To obtain greater deflection, use them at shear or shear /compression, although the maximum loads indicated in our catalogue for shear use should never be exceeded.

This applies to our bobbins, diablo, trapezoidal or annular mounts.



RECOMMENDATIONS FOR MACHINES THAT REQUIRE ALIGNMENT

When an alignment is required between different mechanical elements of the machine, the creeping effect should be taken into account. The increased deformation produced by the creep of the elastomer leads to a "misalignment" between suspended and rigid elements, particularly during the first 48 hours of static load in the antivibration mounts.

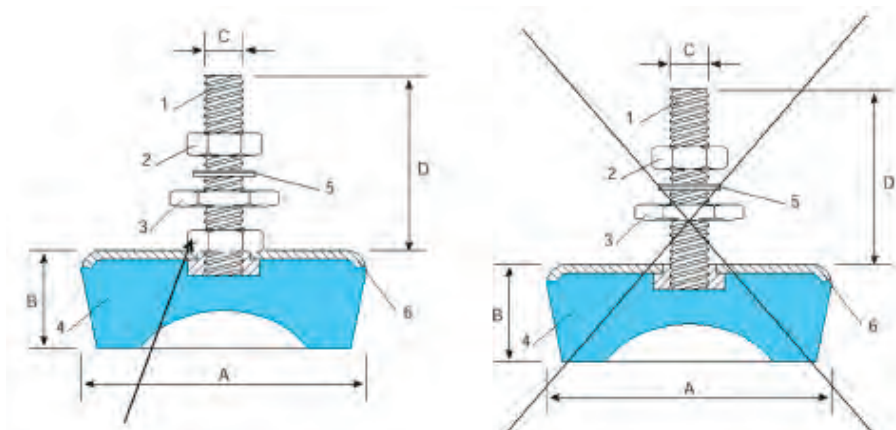
Alignment should therefore be checked 48 hours after the installation of the machine.

If this is not possible contact AMC's technical department and they will help you to ascertain the optimal alignment of your machine.

RECOMMENDATIONS FOR AMC MECANOCAUCHO® MACHINE MOUNTS WITHOUT ADJUSTABLE HOOD

On installing one of our AMC MECANOCAUCHO® machine mounts without adjustable hood, great care should be taken to ensure that the load of the machine does not rest on the screw, but on the hood.

This applies to our AMC MECANOCAUCHO® SV, SM and low SV series mounts.



This nut spreads the load on the bell and avoids tensioning the below welded insert.

RECOMMENDATIONS FOR TORQUE TIGHTENING FOR THE BRB, BSB, MD AND MARINE MOUNTS

Before installing, make sure that the support surfaces are sufficiently rigid flat and totally parallel. The main fixing screw should be tightened according to the torques recommended in the following chart:

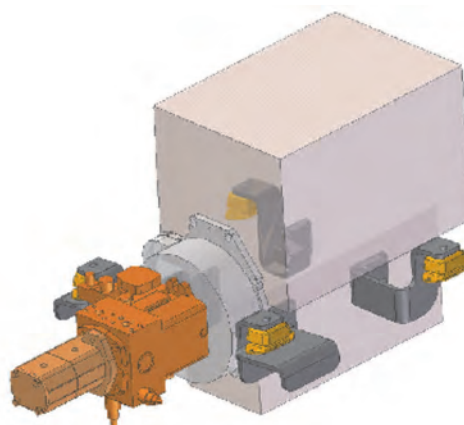
	M8	M10	M12	M16	M20	M24
Tightening torque Nm	16	32	55	125	190	285

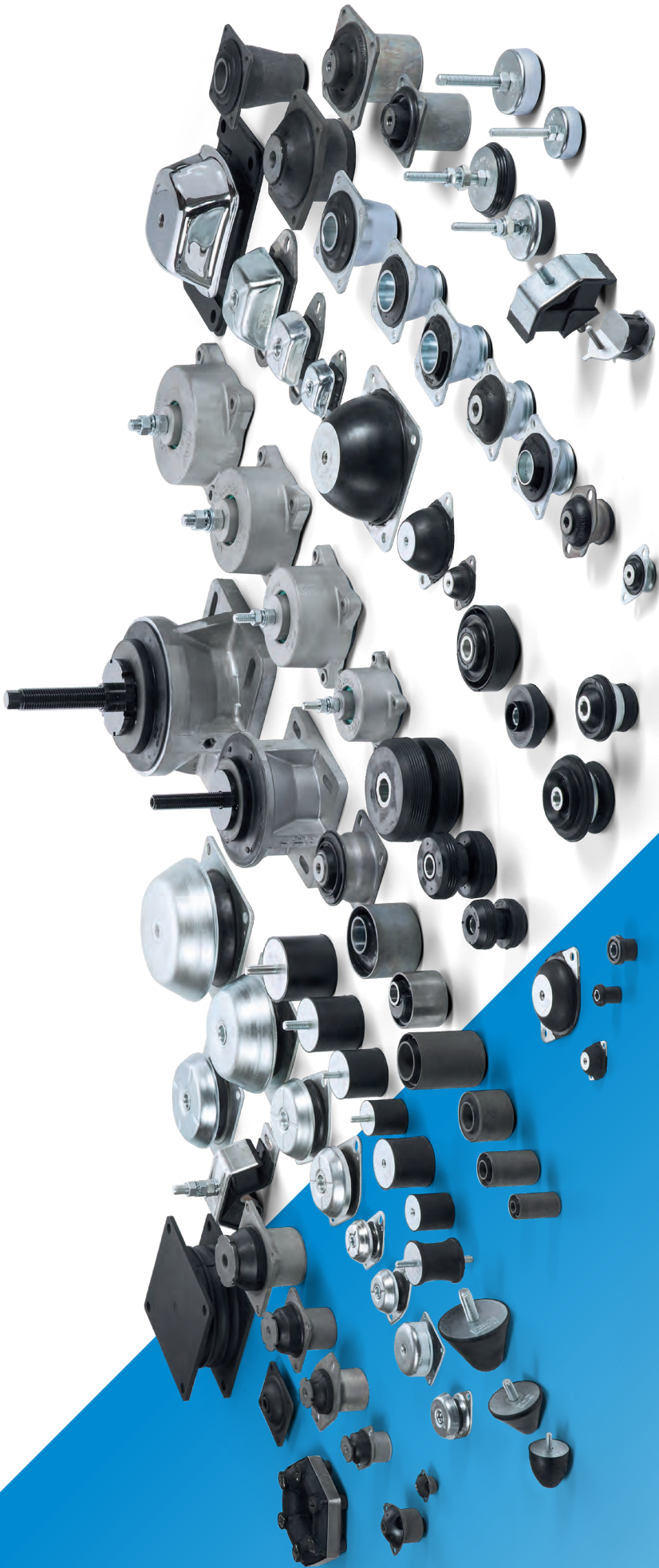
RECOMMENDATIONS FOR THE INSTALLATION OF ANTIVIBRATION MOUNTS

The position of the antivibration mounts determines the vibration modes of the suspended ensemble. An even load distribution over all the mounts is advisable. One easy way of obtaining this is by installing the antivibration mounts equidistant from the CDG of the ensemble.

Mounts installed at the height of the crankshaft provide more stable suspensions and avoid over-movement of the suspended ensemble, particularly in mobile or moving applications.

The external connections to the suspended ensemble, such as cables, exhaust, hydraulic pipes, etc., must be elastic enough to prevent vibrations from being transmitted to the chassis through them.





The following graph shows the expected vibration isolation performance when two key factors are known:

FREQUENCY OF EXCITATION

This is the problematic frequency which is required to be isolated. For example the vibration frequency produced from a diesel engine.

NATURAL FREQUENCY

This is the frequency at which a system will naturally oscillate at if subjected to an external force.

This frequency is dependant on the mass of the suspended element and the stiffness of the mounting points. If in doubt an AMC engineer is available to assist with calculations to determine the natural frequency of your installation.

VIBRATION ISOLATION GRAPH

